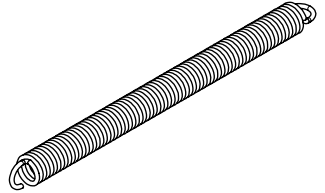



1




x 2  
R1-61381

2




x 2  
C1-09100

3




x 2  
C1-09105

4



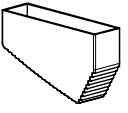
x 4  
K3-06403  
Ø6 x 40 - Torx 30

5



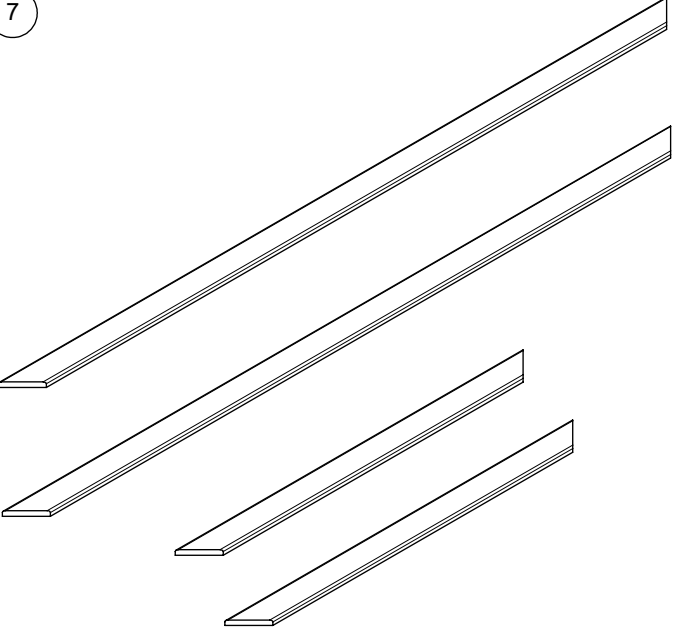
x 2  
K3-06013  
Ø4 x 20

6



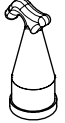
x 2  
H1-69300

7



x 1


11



x 1  
R1-66005

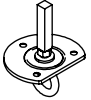
1008020

12

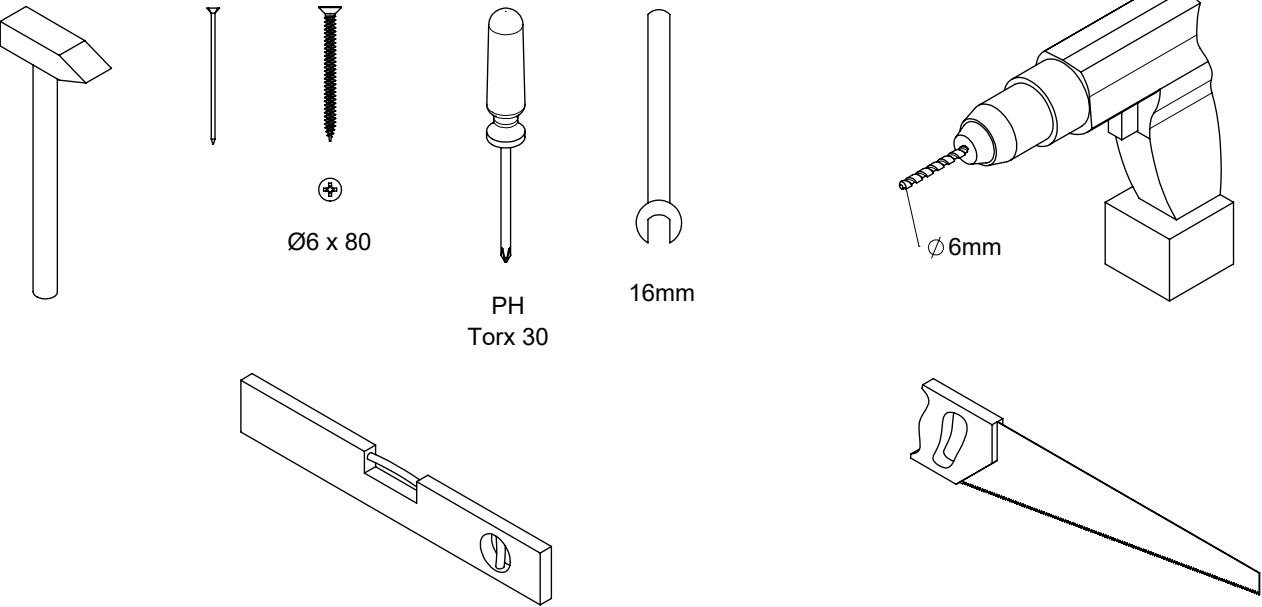


x 4  
Ø4 x 25

13



x 1



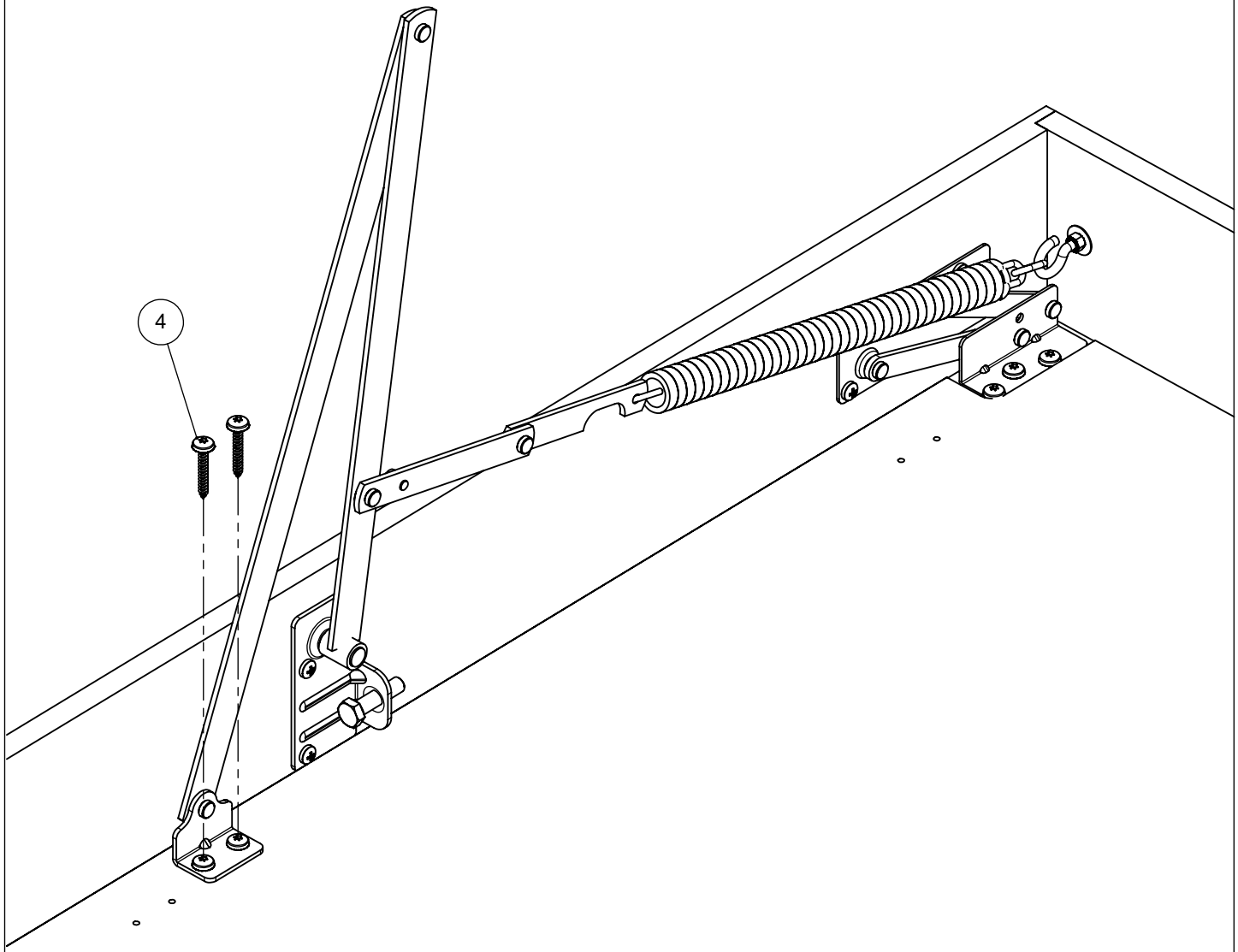
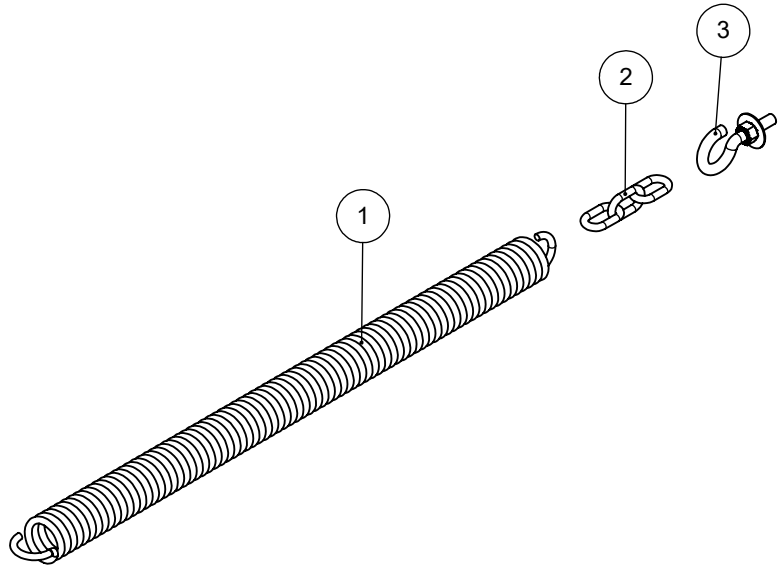
Ø6 x 80

PH  
Torx 30

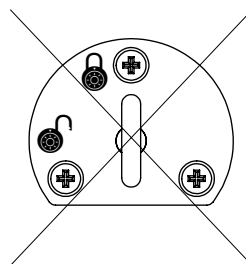
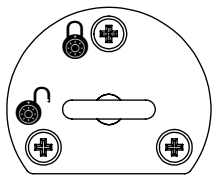
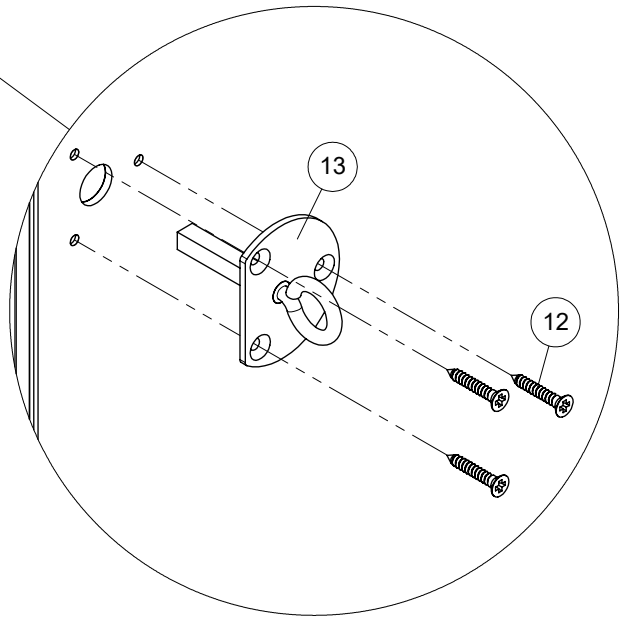
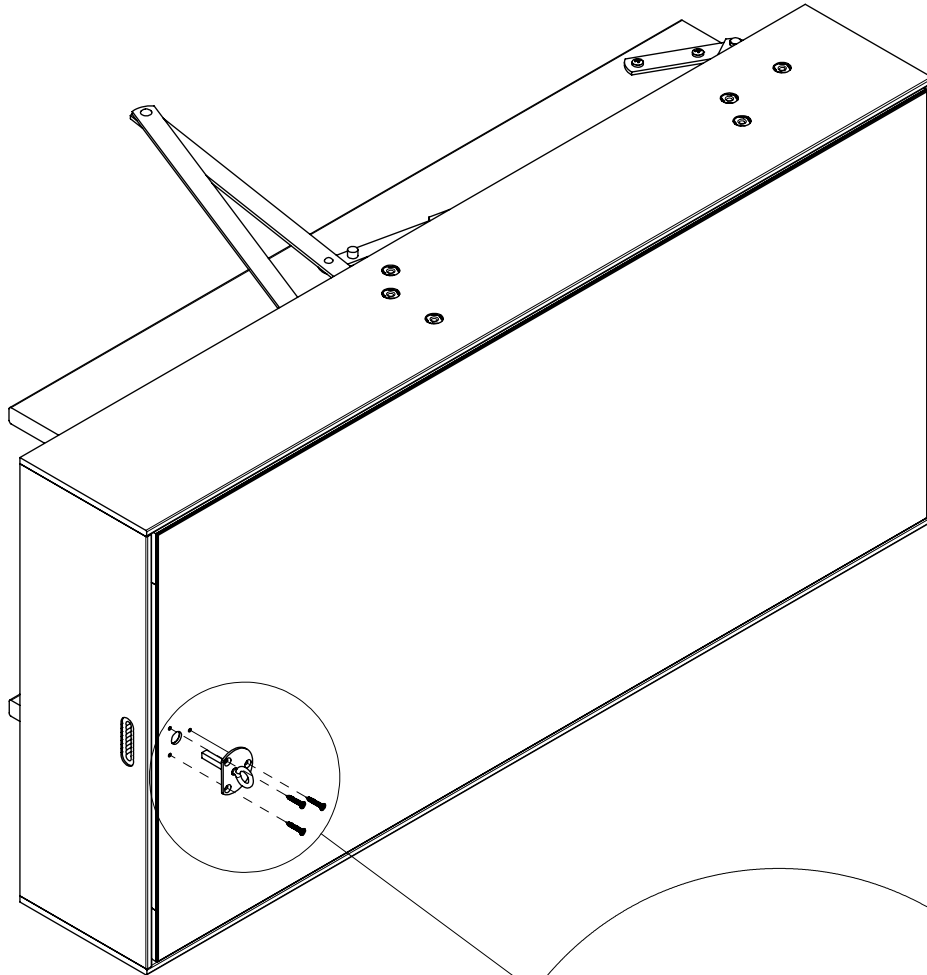
16mm

Ø6mm

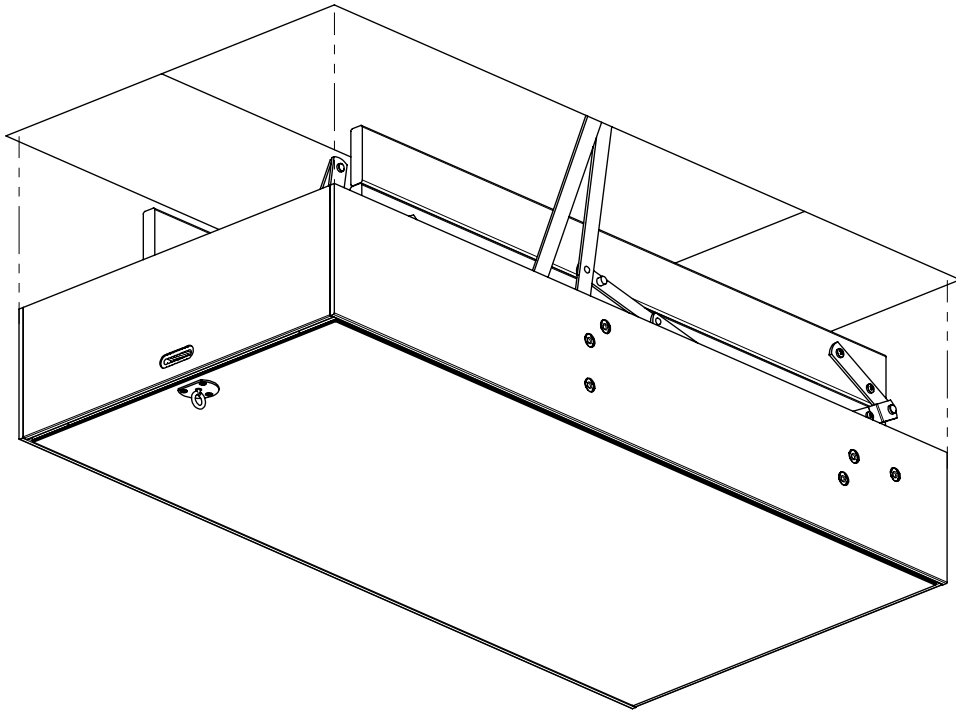
1



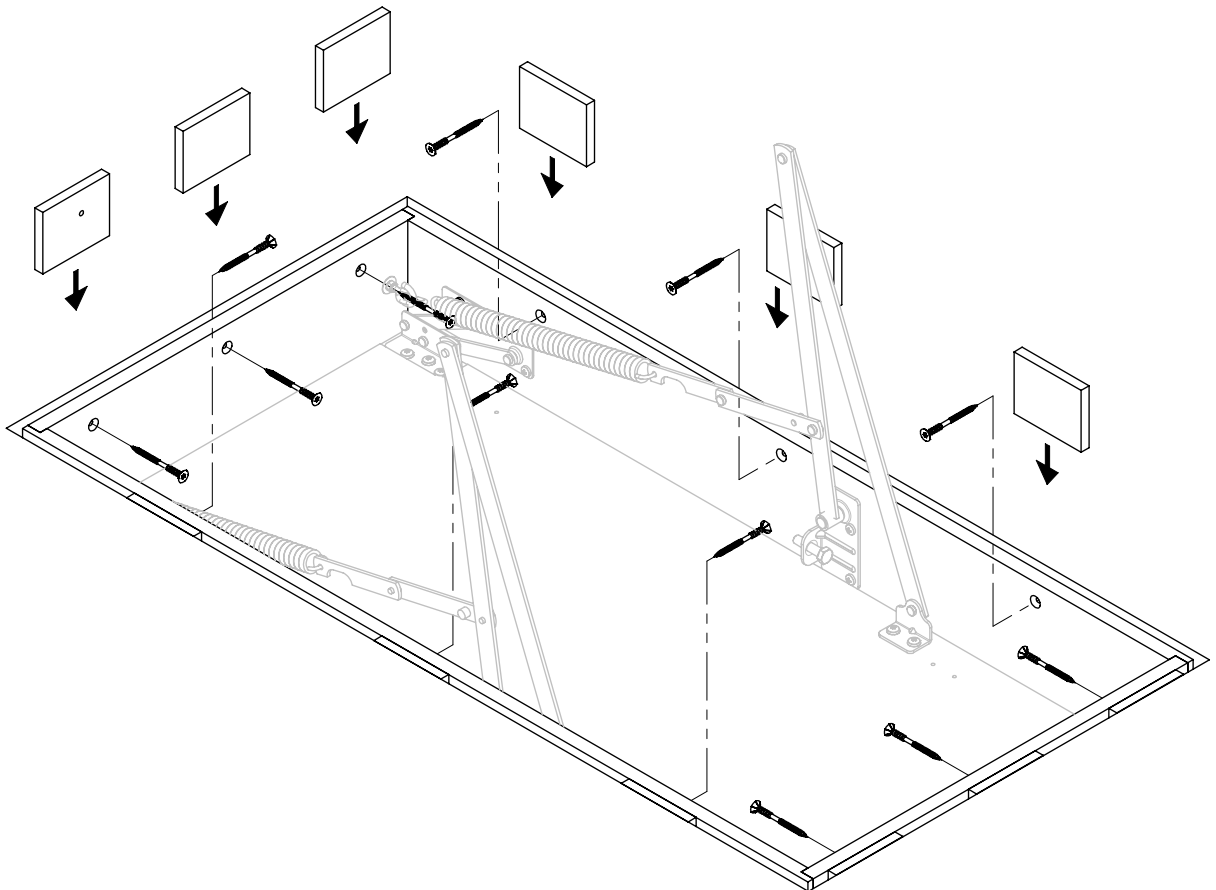
2

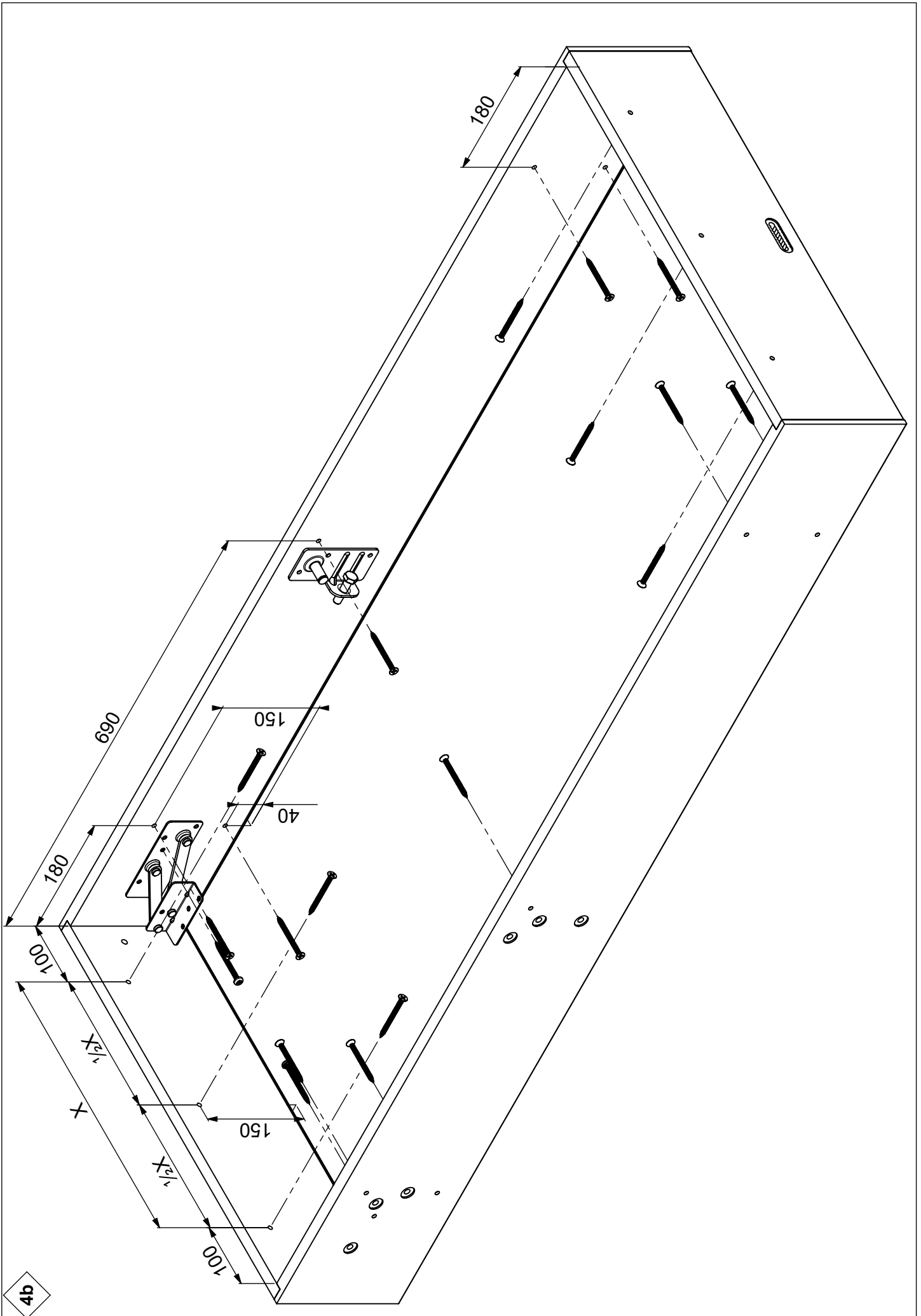


3

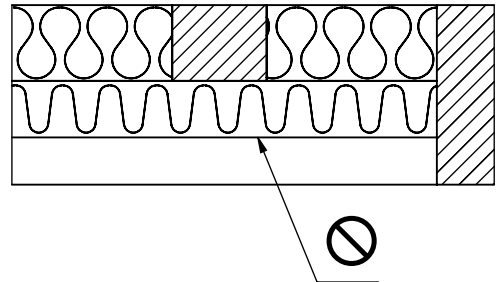
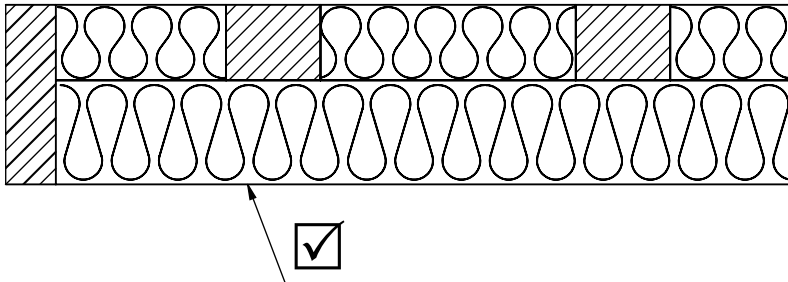
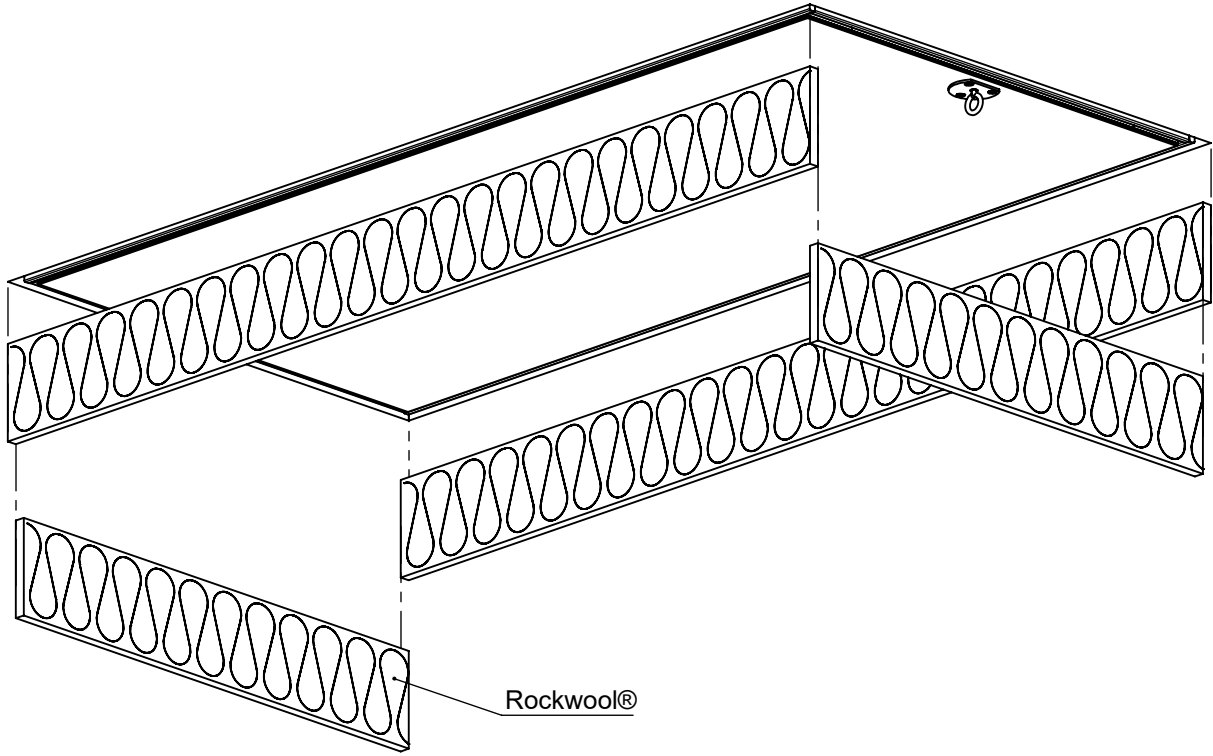


4a

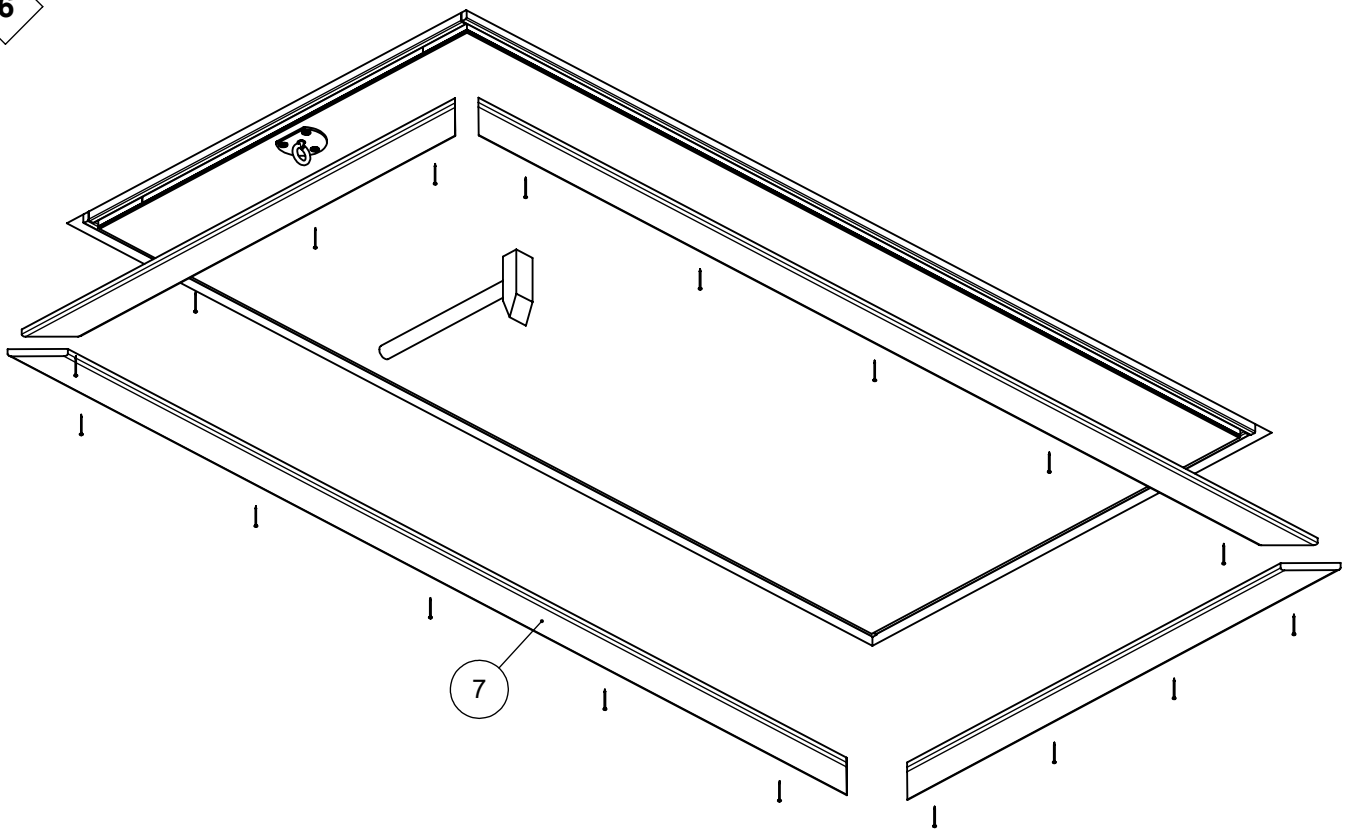


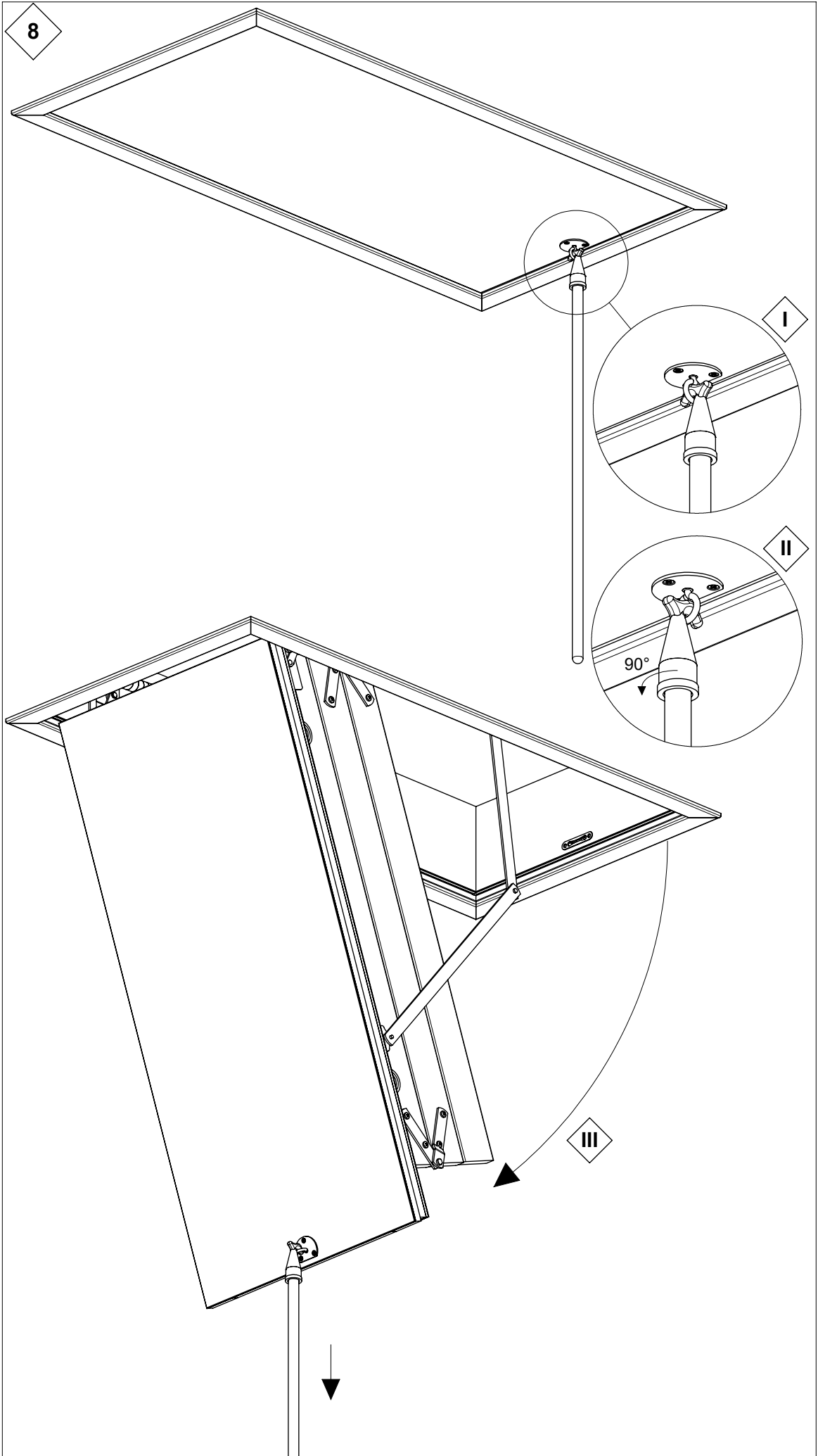
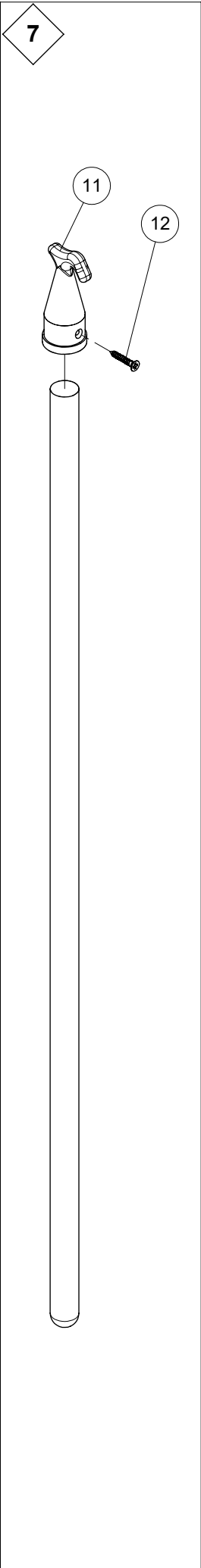


5

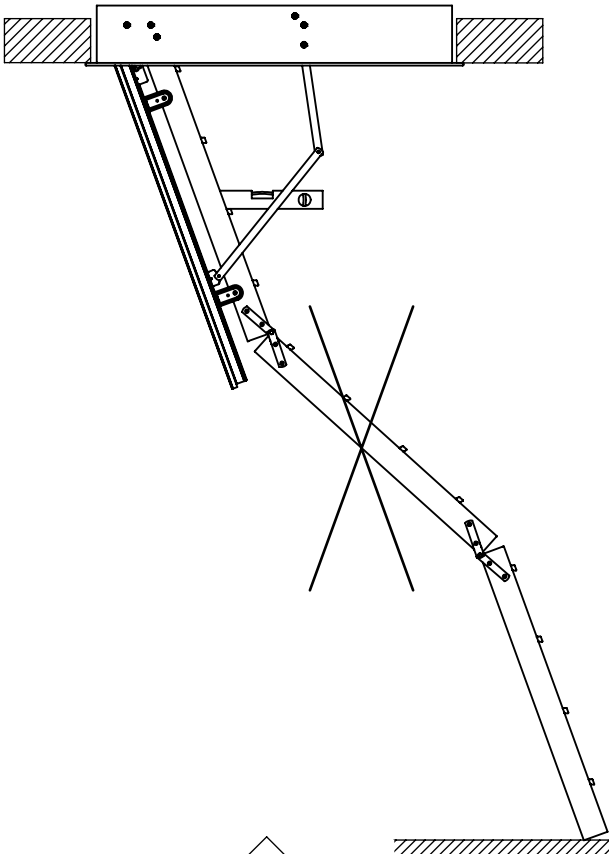
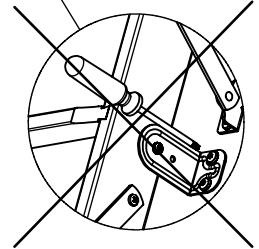
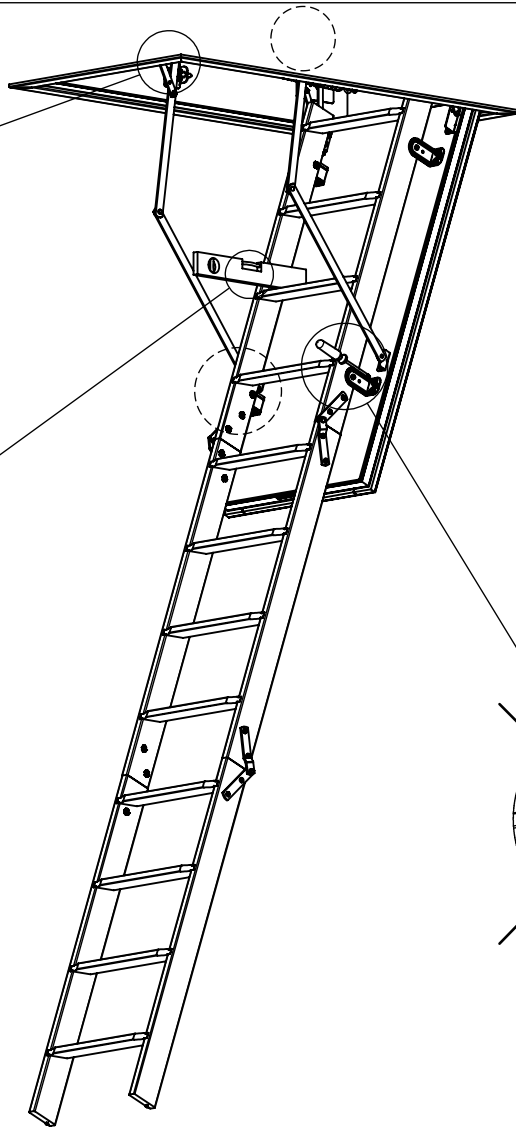
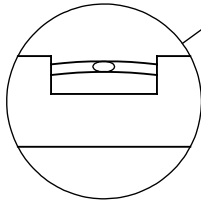
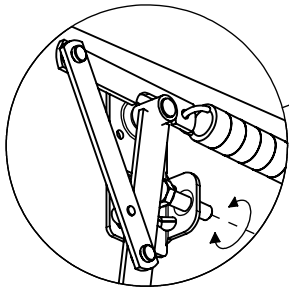
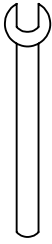


6

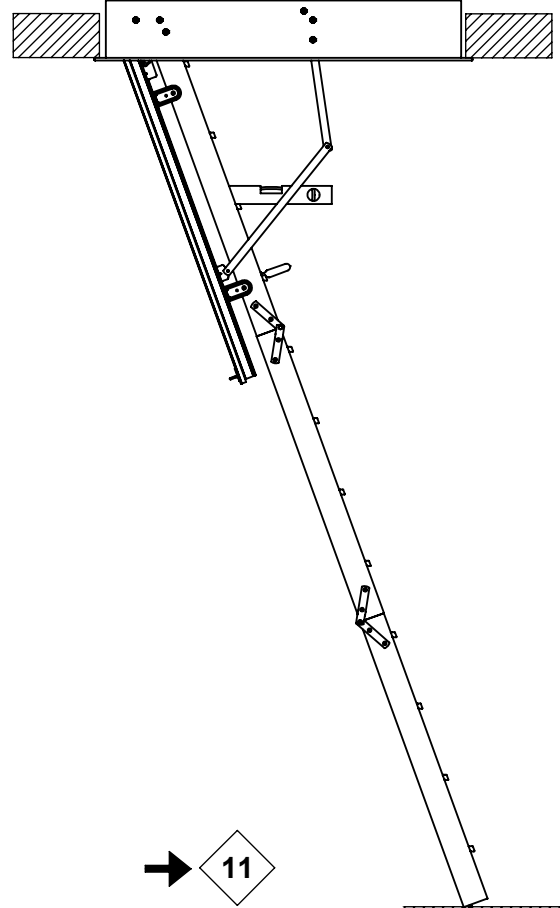




9



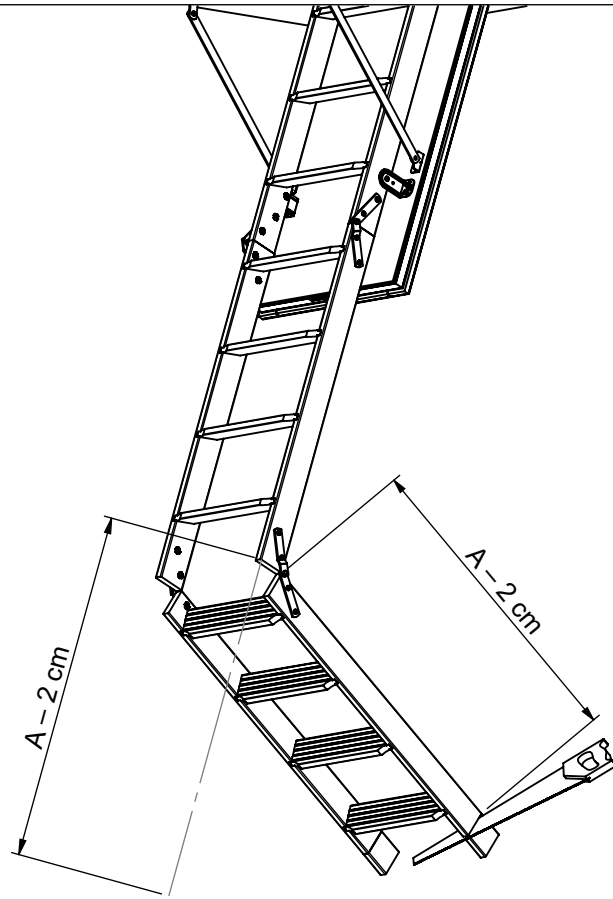
→ 10



→ 11



10



11

