**HINWEIS – BITTE BEACHTEN:**

Die Anzahl der verwendbaren Stufen variiert je nach Land. Die Unterkonstruktion ist nicht in jedem Land in allen Farben verfügbar.

**PLEASE NOTE:**

The number of treads may vary in different countries. The metal construction is not available in all colors in all countries.

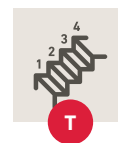
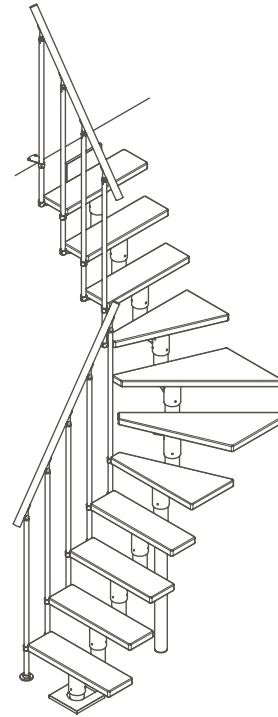
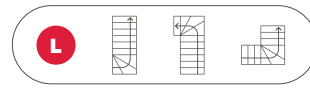
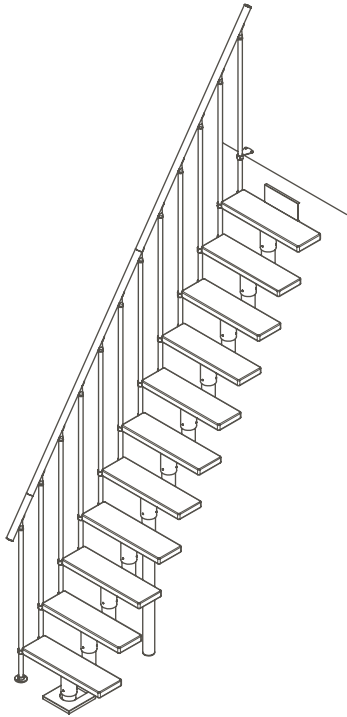
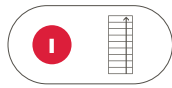
**EINZELSTABGELÄNDER**

# DUBLIN

**INSTRUCTION / MONTAGEANLEITUNG**  
**INSTRUKTION / INSTRUCCION / INSTRUKCJA**

**SOGEM®**

PART OF DOLLE GROUP



	Height floor-to-floor	Rise height	Number of treads
	Geschosshöhe	Steigungshöhe	Anzahl Stufen
	Hauteur sol-sol	Hauteur de marche	Nombre de marches
	Altura de suelo/suelo	Altura de peldaños	Numero de peldaños
	Altura do chão / chão	Altura do degrau	Número de etapas (degraus)
	Hoogte vloer/vloer	Hoogte trede	Aantal treden
	Etagehøjde	Stigningshøjde	Antal trin
	Golv till golv höjd	Stigningshöjd	Antal steg
	Wysokość kondygnacji od podłogi do podłogi	Wysokość stopnia	Ilość stopni
	Înălțime sol-sol	Înălțime treaptă	Număr trepte
	Výška patra podlaha-podlaha	Výška schodu	Počet nášlapů
	Высота от пола до пола	Шаг ступени	Кол-во ступеней
	Aukšto aukštis	Pakopus aukštis	Pakopų kiekis
	Stāva augstums	Pakāpiena augstums	Pakāpienu skaits
	Korruse kõrgus	Astme kõrgus	Astmete arv
	Višina nadstropja	Višina stopnice	Število stopnic
	Visina kata	Visina stepenice	Broj stepenica
	Výška podlažia	Výška stupňa	Počet stupňov

1

x 1  
K2-1077230 RAL 7016  
K2-1077232 Pearl grey

2

	11	12	13	14	15
x	8	9	10	11	12

x 1  
K2-1077235 RAL 7016  
K2-1077237 Pearl grey

3

x 1  
K2-1077240 RAL 7016  
K2-1077242 Pearl grey

4

x 1  
K2-1077245 RAL 7016  
K2-1077247 Pearl grey

5

x 1  
K2-1077210 RAL 7016  
K2-1077242 Pearl grey

6

	11	12	13	14	15
x	0	0	1	1	1

K1-1077280 RAL 7016  
K1-1077282 Pearl grey

7

x 1  
K2-1077030 RAL 7016  
K2-1077032 Pearl grey

8

	11	12	13	14	15
I	24	24	26	28	30
L	24	24	24	24	24
U	24	24	24	24	24

K2-1077025 RAL 7016  
K2-1077027 Pearl grey

9

x 1  
K2-1077610 RAL 7016  
K2-1077612 Pearl grey

10

	11	12	13	14	15
I	13	13	14	15	16
L	13	13	13	13	13
U	13	13	13	13	13

K2-1077195 RAL 7016  
K2-1077197 Pearl grey

11

K1-1077290 RAL 7016  
K1-1077292 Pearl grey

12

x 1  
K1-1077070 RAL 7016  
K1-1077072 Pearl grey

13

x 1  
K1-1077175 RAL 7016  
K1-1077177 Pearl grey

14

	11	12	13	14	15
x	10	11	12	13	14

K1-1077040 RAL 7016  
K1-1077042 Pearl grey

15

	11	12	13	14	15
I	12	12	13	14	15
L	12	12	12	12	12
U	12	12	12	12	12

K1-1077045 RAL 7016  
K1-1077047 Pearl grey

16

K1-1077655 RAL 7016  
K1-1077657 Pearl grey

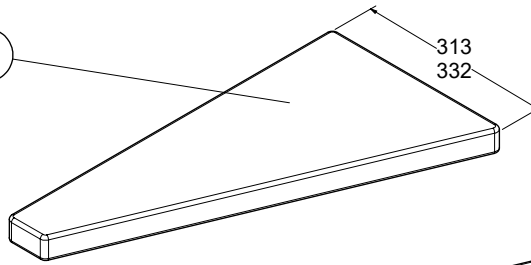
17

x 1  
K1-1077650 RAL 7016  
K1-1077652 Pearl grey

	I	0
x	L	1
	U	2

24

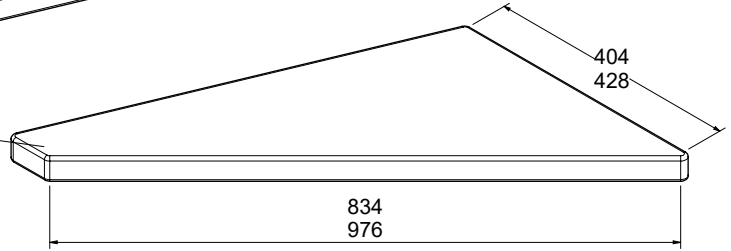
- M2-1078109 610mm Beech / Buche / Beuk / Hêtre / Bøg
- M2-1078119 610mm Oak / Eiche / Eik / Chêne / Eg
- M2-1078159 710mm Beech / Buche / Beuk / Hêtre / Bøg
- M2-1078169 710mm Oak / Eiche / Eik / Chêne / Eg



23

- M2-1078108 610mm Beech / Buche / Beuk / Hêtre / Bøg
- M2-1078118 610mm Oak / Eiche / Eik / Chêne / Eg
- M2-1078158 710mm Beech / Buche / Beuk / Hêtre / Bøg
- M2-1078168 710mm Oak / Eiche / Eik / Chêne / Eg

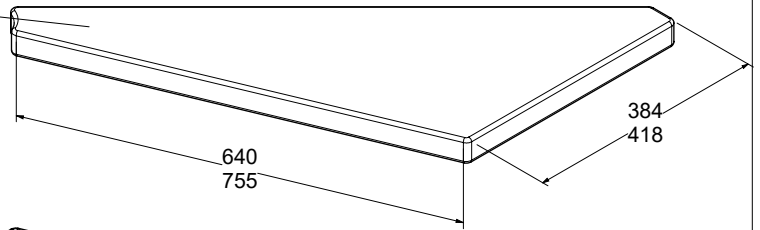
	I	0
x	L	1
	U	2



22

- M2-1078107 610mm Beech / Buche / Beuk / Hêtre / Bøg
- M2-1078117 610mm Oak / Eiche / Eik / Chêne / Eg
- M2-1078157 710mm Beech / Buche / Beuk / Hêtre / Bøg
- M2-1078167 710mm Oak / Eiche / Eik / Chêne / Eg

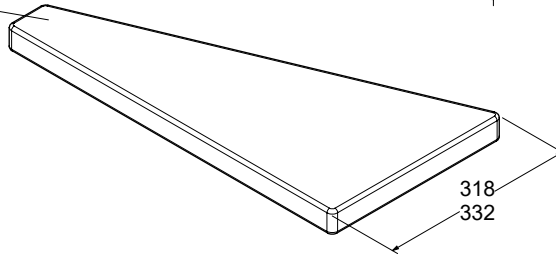
	I	0
x	L	1
	U	2



21

- M2-1078106 610mm Beech / Buche / Beuk / Hêtre / Bøg
- M2-1078116 610mm Oak / Eiche / Eik / Chêne / Eg
- M2-1078156 710mm Beech / Buche / Beuk / Hêtre / Bøg
- M2-1078166 710mm Oak / Eiche / Eik / Chêne / Eg

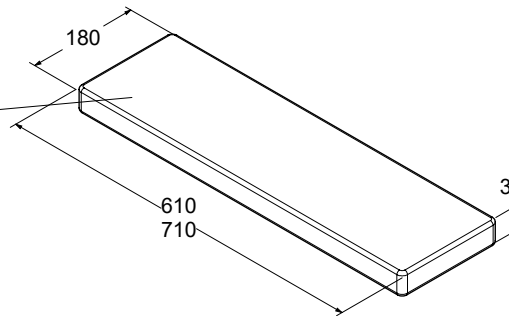
	I	0
x	L	1
	U	2



	11	12	13	14	15	
	I	11	12	13	14	15
x	L	7	8	9	10	11
	U	3	4	5	6	7

20

- M2-1078101 610mm Beech / Buche / Beuk / Hêtre / Bøg
- M2-1078111 610mm Oak / Eiche / Eik / Chêne / Eg
- M2-1078151 710mm Beech / Buche / Beuk / Hêtre / Bøg
- M2-1078161 710mm Oak / Eiche / Eik / Chêne / Eg

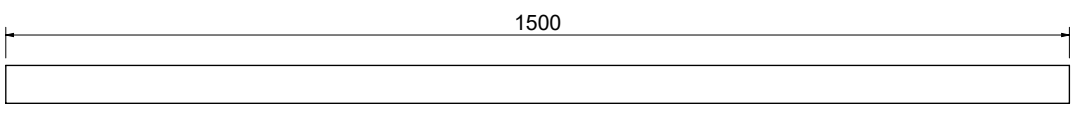
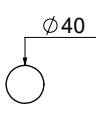


27



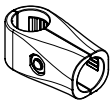
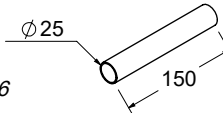
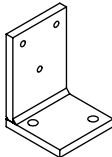
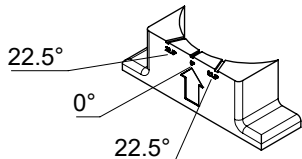
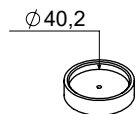


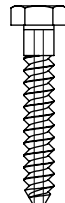


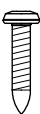




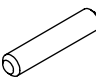


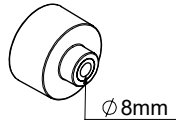

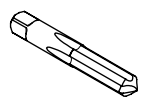

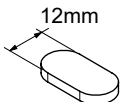


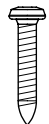



- x 6
- K1-1077150 RAL 7016
- K1-1077152 Pearl grey

32



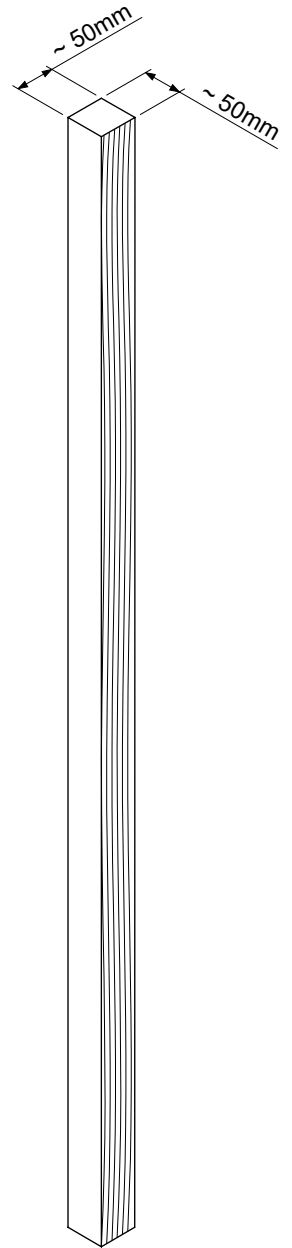
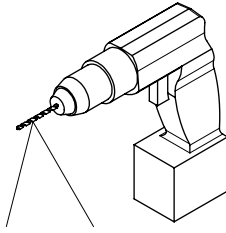
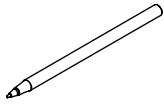
	11	12	13	14	15
	I	3	3	3	3
x	L	2	2	3	3
	U	2	2	2	2

- 1078905 Beech / Buche / Beuk / Hêtre / Bøg
- 1078915 Oak / Eiche / Eik / Chêne / Eg

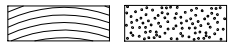
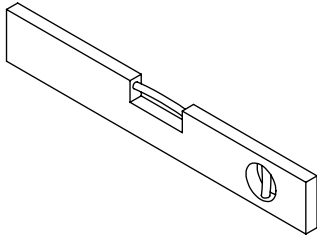
<p>34</p> <p>x 4 K2-1077170 RAL 7016 K2-1077172 Pearl grey</p> 	<p>35</p> <p>x 2 K1-1077165 RAL 7016 K1-1077167 Pearl grey</p> 	<p>36</p> <p>x 4 K1-1077295 RAL 7016 K1-1077297 Pearl grey</p> 																																																																									
<p>37</p> <p>x 1 K1-08270</p> 	<p>38</p> <p>x 1 K1-01620</p> 																																																																										
<p>40</p> <p>x 17 K3-08001 Ø12 x 60</p> 	<p>41</p> <p>x 17 K3-04001 Ø10</p> 	<p>42</p> <p>x 17 K3-06003 Ø10 x 60</p> 	<p>43</p> <table border="1" data-bbox="1157 638 1412 705"> <tr> <td></td> <td>11</td> <td>12</td> <td>13</td> <td>14</td> <td>15</td> </tr> <tr> <td>x</td> <td>61</td> <td>66</td> <td>71</td> <td>76</td> <td>81</td> </tr> </table> <p>K3-05003 M8 x 6</p>  		11	12	13	14	15	x	61	66	71	76	81																																																												
	11	12	13	14	15																																																																						
x	61	66	71	76	81																																																																						
<p>44</p> <table border="1" data-bbox="79 817 359 929"> <tr> <td></td> <td>11</td> <td>12</td> <td>13</td> <td>14</td> <td>15</td> </tr> <tr> <td>I</td> <td>108</td> <td>114</td> <td>124</td> <td>134</td> <td>144</td> </tr> <tr> <td>L</td> <td>108</td> <td>114</td> <td>120</td> <td>126</td> <td>132</td> </tr> <tr> <td>U</td> <td>108</td> <td>114</td> <td>120</td> <td>126</td> <td>132</td> </tr> </table> <p>K3-06130 Ø6 x 30 TX30</p> 		11	12	13	14	15	I	108	114	124	134	144	L	108	114	120	126	132	U	108	114	120	126	132	<p>45</p> <table border="1" data-bbox="438 817 702 929"> <tr> <td></td> <td>11</td> <td>12</td> <td>13</td> <td>14</td> <td>15</td> </tr> <tr> <td>I</td> <td>50</td> <td>50</td> <td>54</td> <td>58</td> <td>62</td> </tr> <tr> <td>L</td> <td>50</td> <td>50</td> <td>50</td> <td>50</td> <td>50</td> </tr> <tr> <td>U</td> <td>50</td> <td>50</td> <td>50</td> <td>50</td> <td>50</td> </tr> </table> <p>K3-05056 M6 x 5</p>  		11	12	13	14	15	I	50	50	54	58	62	L	50	50	50	50	50	U	50	50	50	50	50	<p>46</p> <table border="1" data-bbox="798 817 1061 929"> <tr> <td></td> <td>11</td> <td>12</td> <td>13</td> <td>14</td> <td>15</td> </tr> <tr> <td>I</td> <td>13</td> <td>13</td> <td>14</td> <td>15</td> <td>16</td> </tr> <tr> <td>L</td> <td>13</td> <td>13</td> <td>13</td> <td>13</td> <td>13</td> </tr> <tr> <td>U</td> <td>13</td> <td>13</td> <td>13</td> <td>13</td> <td>13</td> </tr> </table> <p>K3-05002 M6 x 8</p>  		11	12	13	14	15	I	13	13	14	15	16	L	13	13	13	13	13	U	13	13	13	13	13	<p>47</p> <p>x 8 R3-91415 Ø8 x 40</p> 
	11	12	13	14	15																																																																						
I	108	114	124	134	144																																																																						
L	108	114	120	126	132																																																																						
U	108	114	120	126	132																																																																						
	11	12	13	14	15																																																																						
I	50	50	54	58	62																																																																						
L	50	50	50	50	50																																																																						
U	50	50	50	50	50																																																																						
	11	12	13	14	15																																																																						
I	13	13	14	15	16																																																																						
L	13	13	13	13	13																																																																						
U	13	13	13	13	13																																																																						
<p>48</p> <table border="1" data-bbox="79 1041 343 1153"> <tr> <td></td> <td>11</td> <td>12</td> <td>13</td> <td>14</td> <td>15</td> </tr> <tr> <td>I</td> <td>13</td> <td>13</td> <td>14</td> <td>15</td> <td>16</td> </tr> <tr> <td>L</td> <td>13</td> <td>13</td> <td>13</td> <td>13</td> <td>13</td> </tr> <tr> <td>U</td> <td>13</td> <td>13</td> <td>13</td> <td>13</td> <td>13</td> </tr> </table> <p>K3-06008 Ø5 x 25 PZ2</p> 		11	12	13	14	15	I	13	13	14	15	16	L	13	13	13	13	13	U	13	13	13	13	13	<p>49</p> <p>x 1 K3-90001</p> <p>Super glue</p> 	<p>50</p> <p>x 1 K1-01810</p> 	<p>51</p> <p>x 2 K3-06022 Ø5 x 35 TX25</p> 																																																
	11	12	13	14	15																																																																						
I	13	13	14	15	16																																																																						
L	13	13	13	13	13																																																																						
U	13	13	13	13	13																																																																						
<p>55</p> <p>x 1 K3-10010 M8</p> 	<p>56</p> <p>x 2 K3-08006 Ø6 x 40</p> 	<p>58</p> <p>x 8 R3-20590</p> 																																																																									
<p>59</p> <p>x 1 K3-90005</p> <p>Wood glue Holzkleber Colle à bois Trælim</p> 	<p>60</p> <p>x 4 K3-08002 Ø8 x 40</p> 	<p>61</p> <p>x 12 R1-63267 Ø6 x 35 TX30</p>  	<p>62</p> <p>x 4 K3-06027 Ø5 x 50 TX25</p>  																																																																								



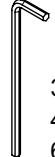
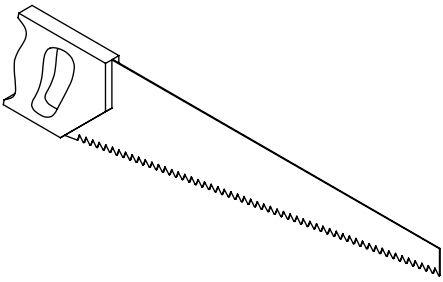
Tools not included!  
Werkzeuge nicht enthalten!  
Gereedschap niet inbegrepen!  
Outils non inclus!  
Værktøj ikke inkluderet!



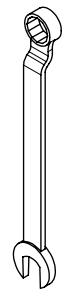
TX25  
TX30  
PZ2



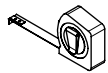
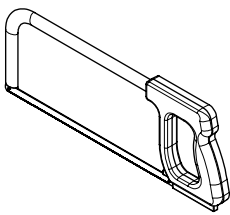
- ∅ 3mm    ∅ 6mm
- ∅ 4mm    ∅ 12mm
- ∅ 6mm
- ∅ 8mm
- ∅ 10mm



- 3mm
- 4mm
- 6mm



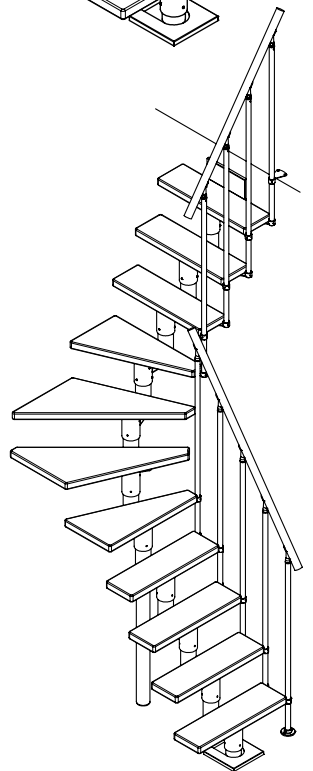
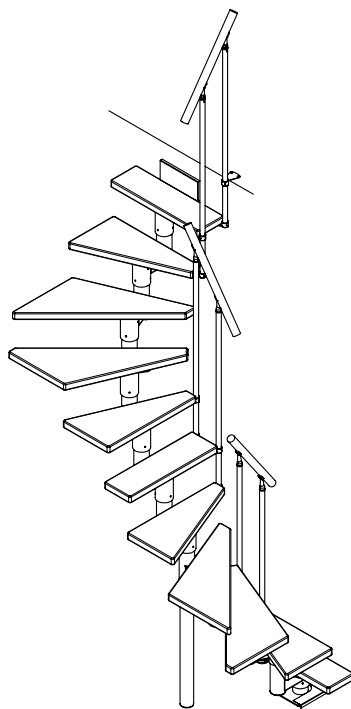
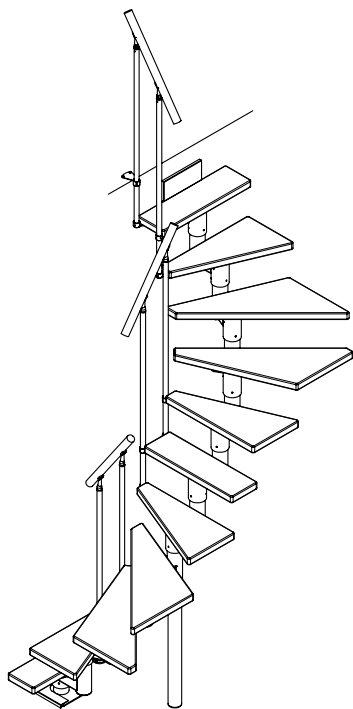
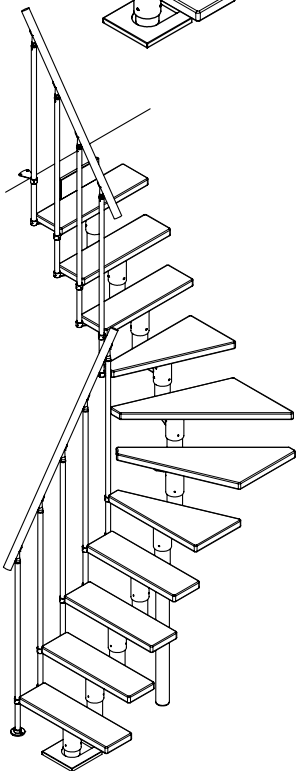
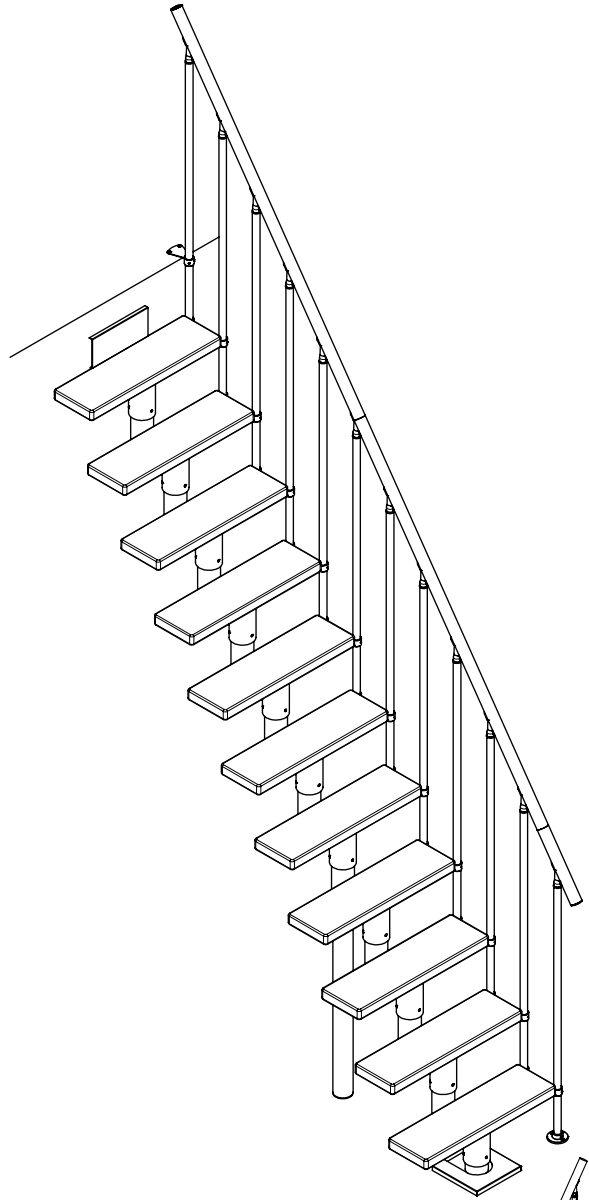
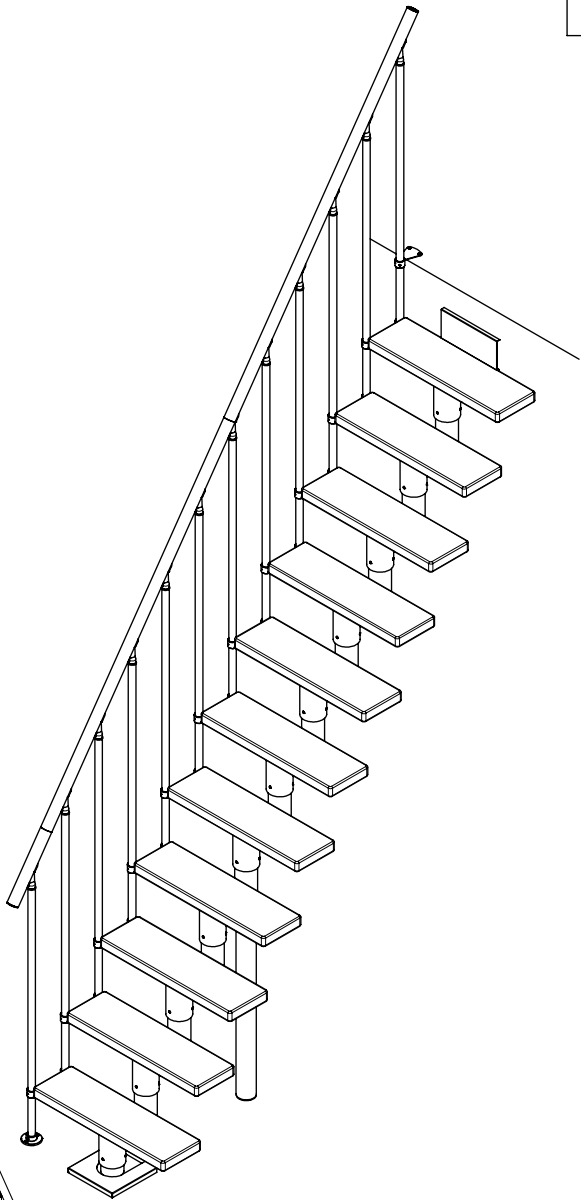
16mm

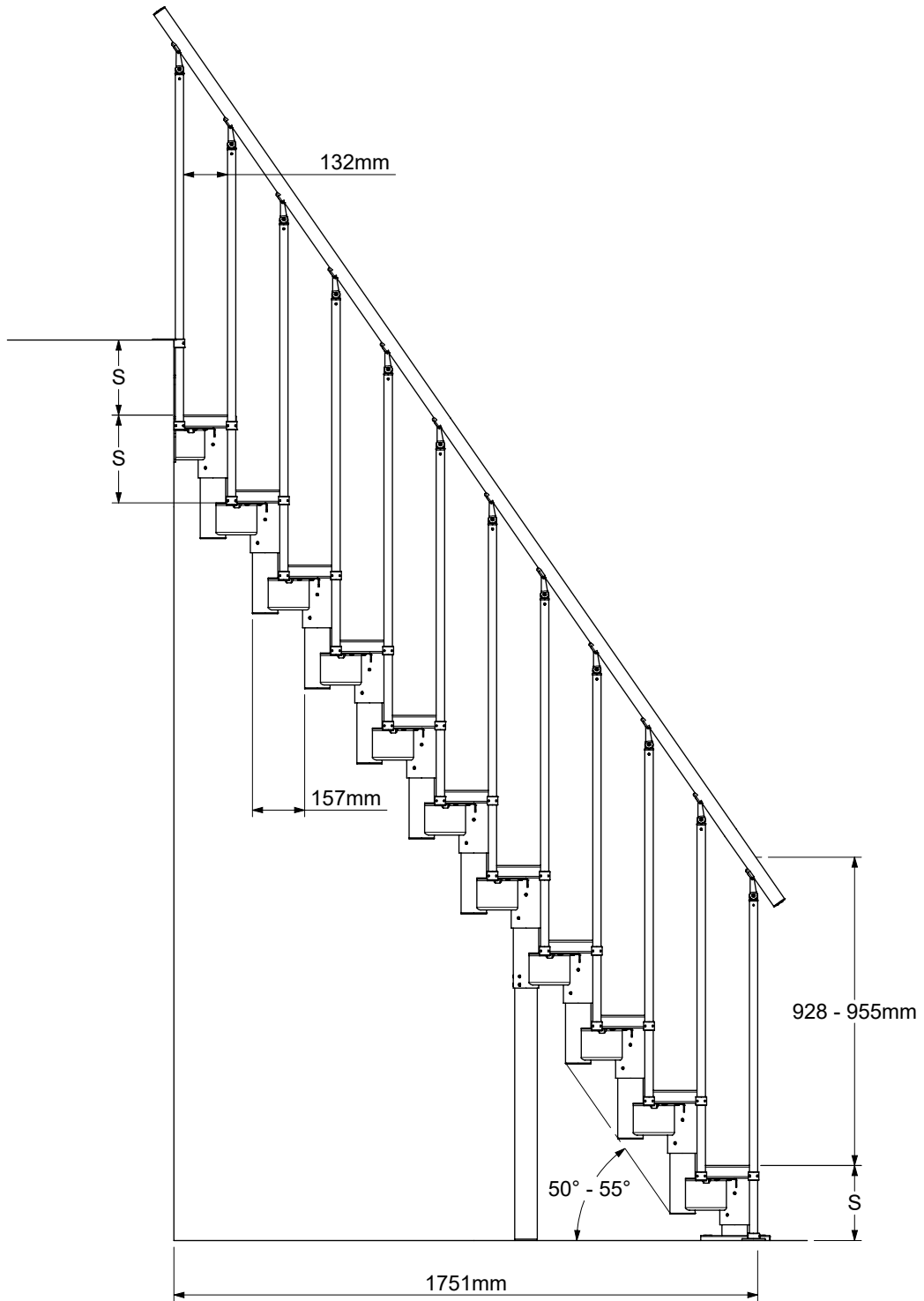




L

R





$$S = \frac{H}{T + 1}$$

min S	max S
185 mm	225 mm

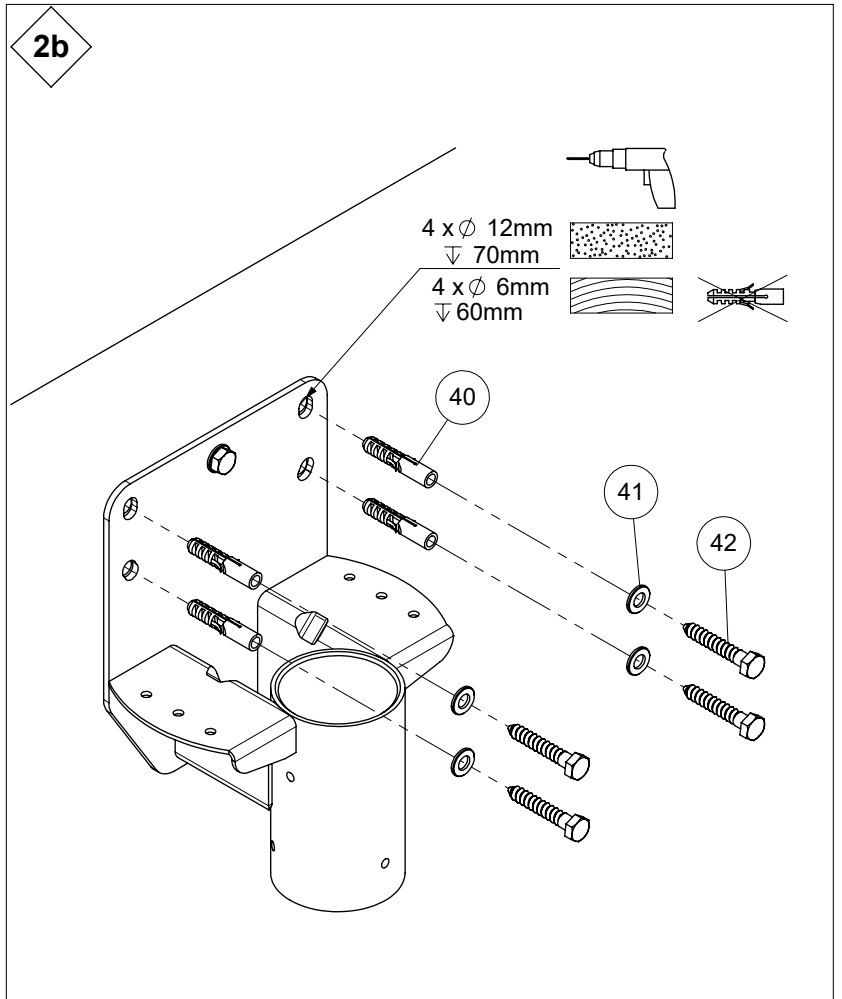
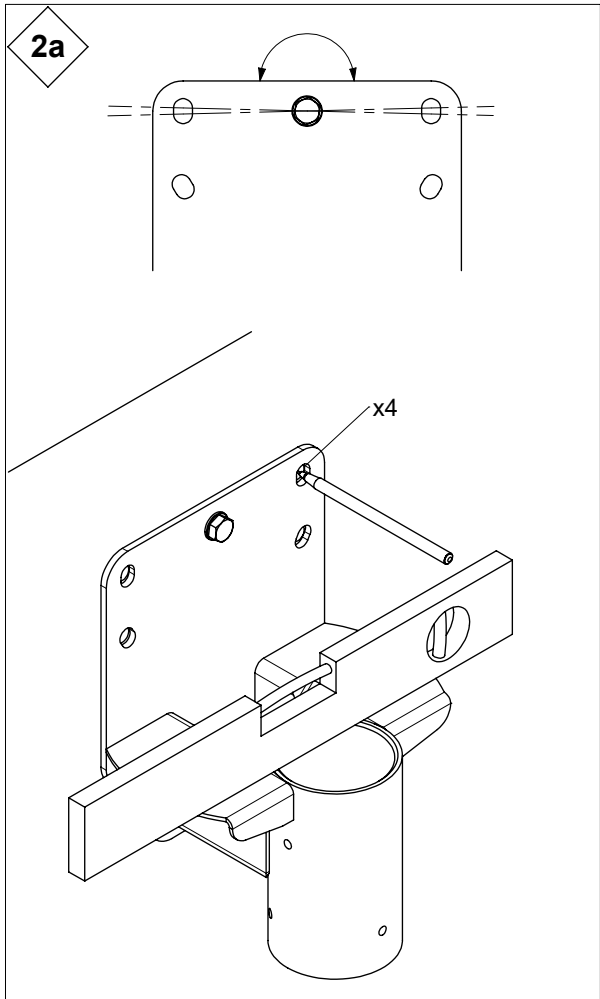
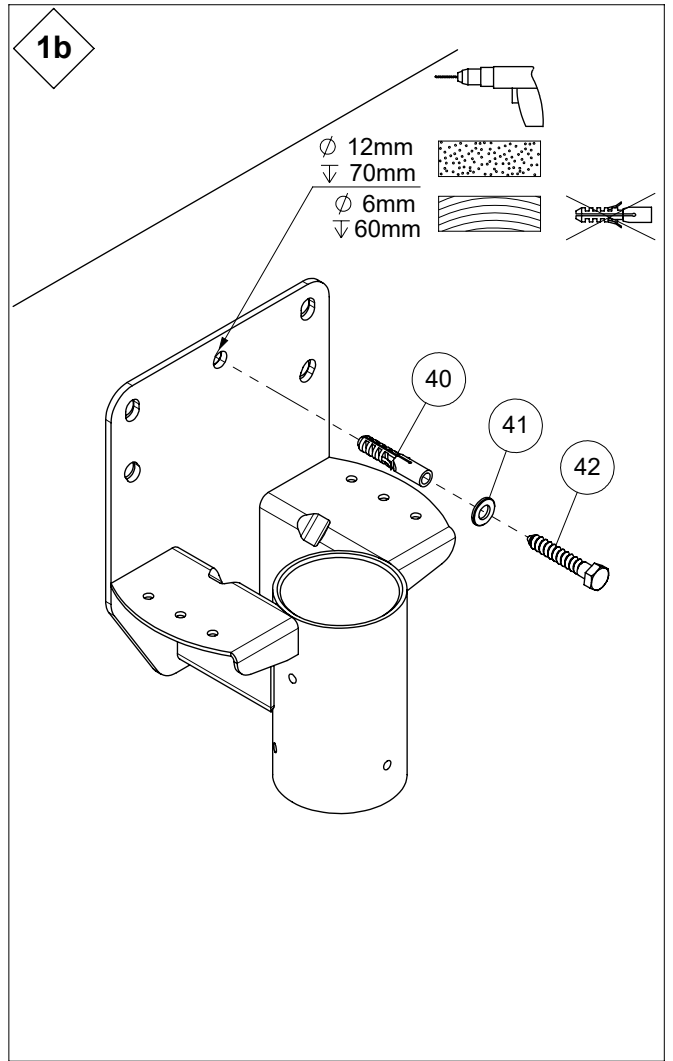
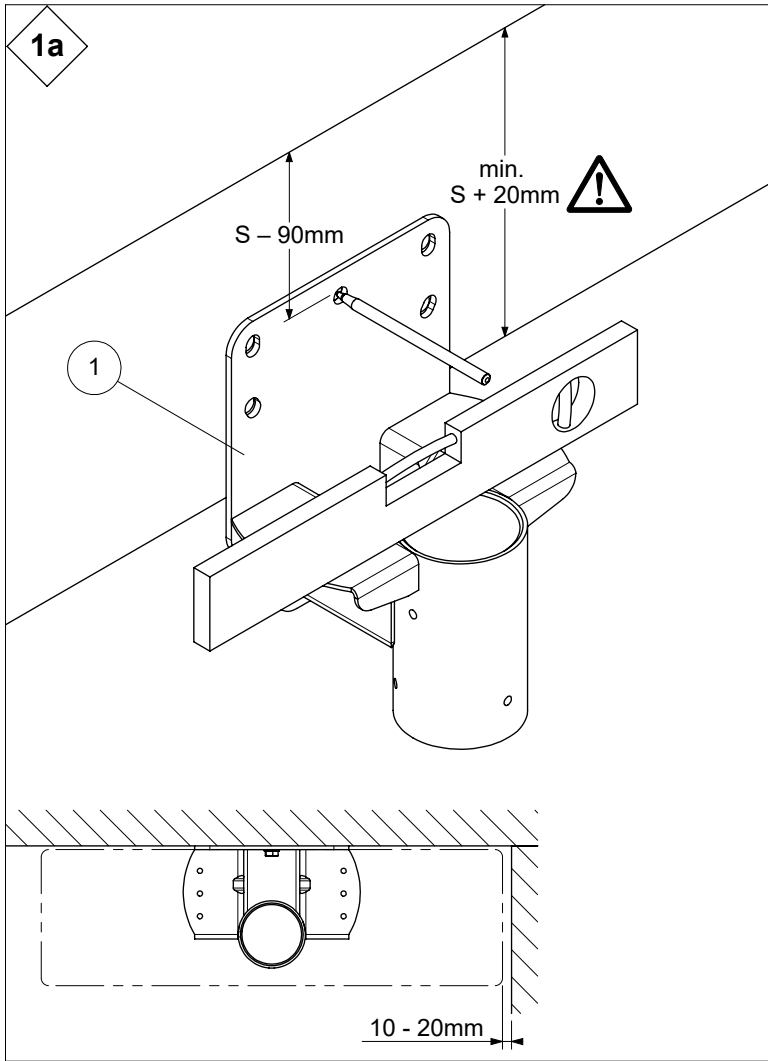
Example / Beispiel / Voorbeeld / Example / Eksempel:  
H: 2400 mm, T: 11 st(pcs)

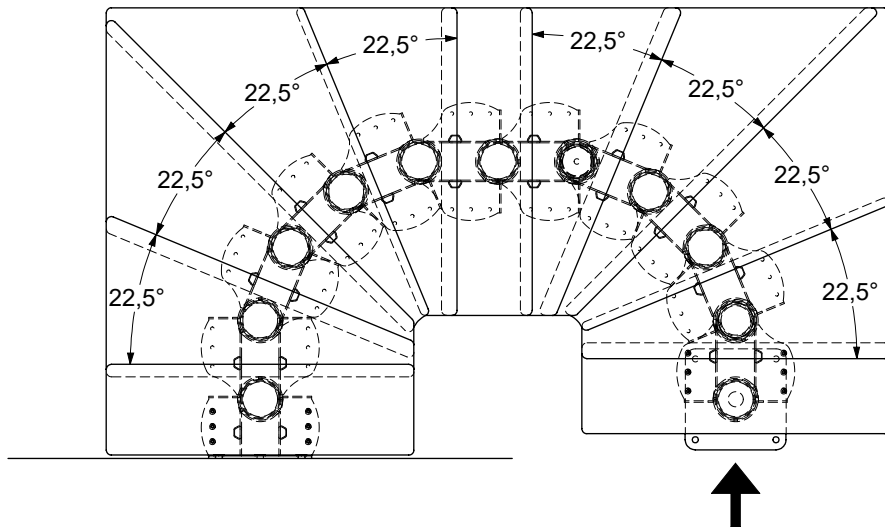
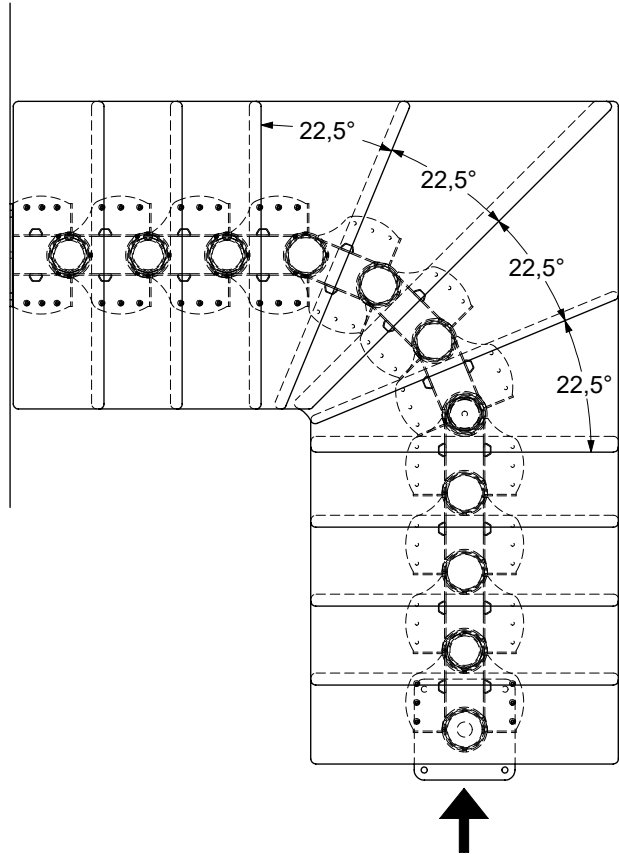
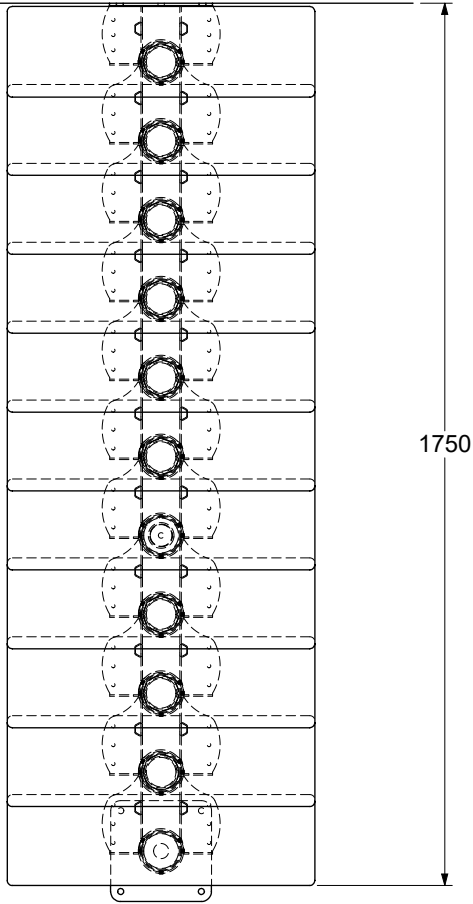
$$S = \frac{2400 \text{ mm}}{11 + 1} = 200 \text{ mm}$$

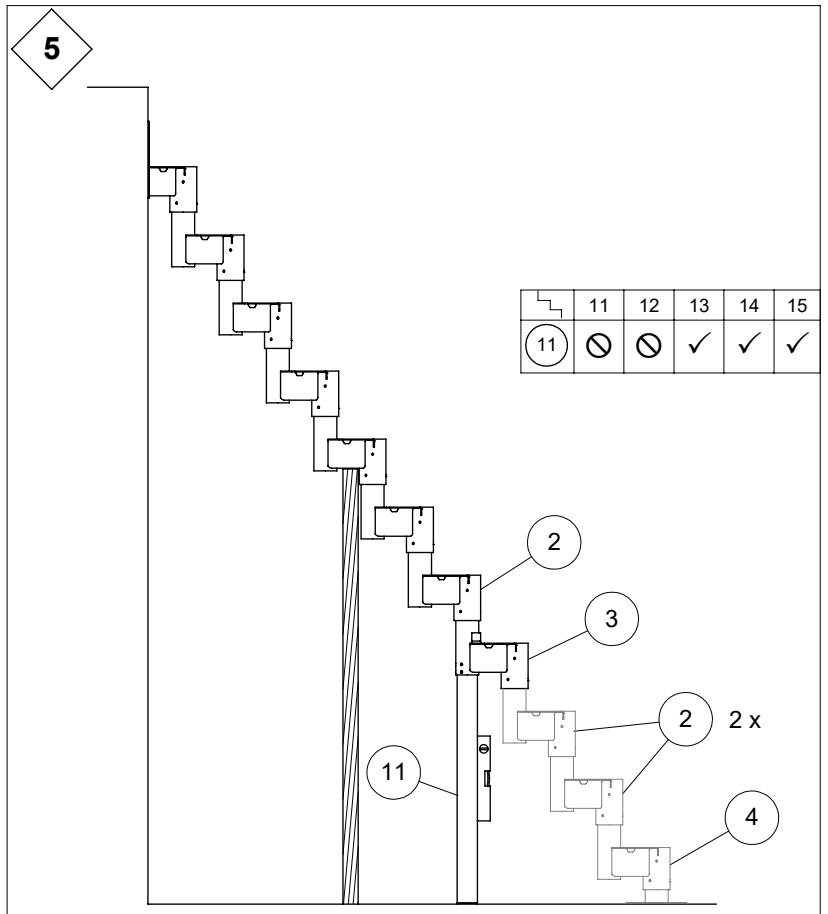
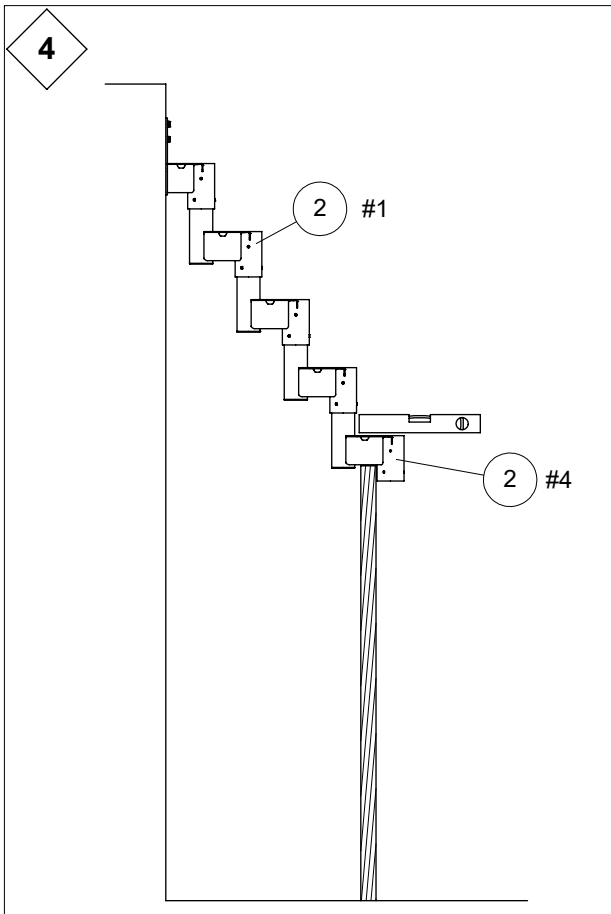
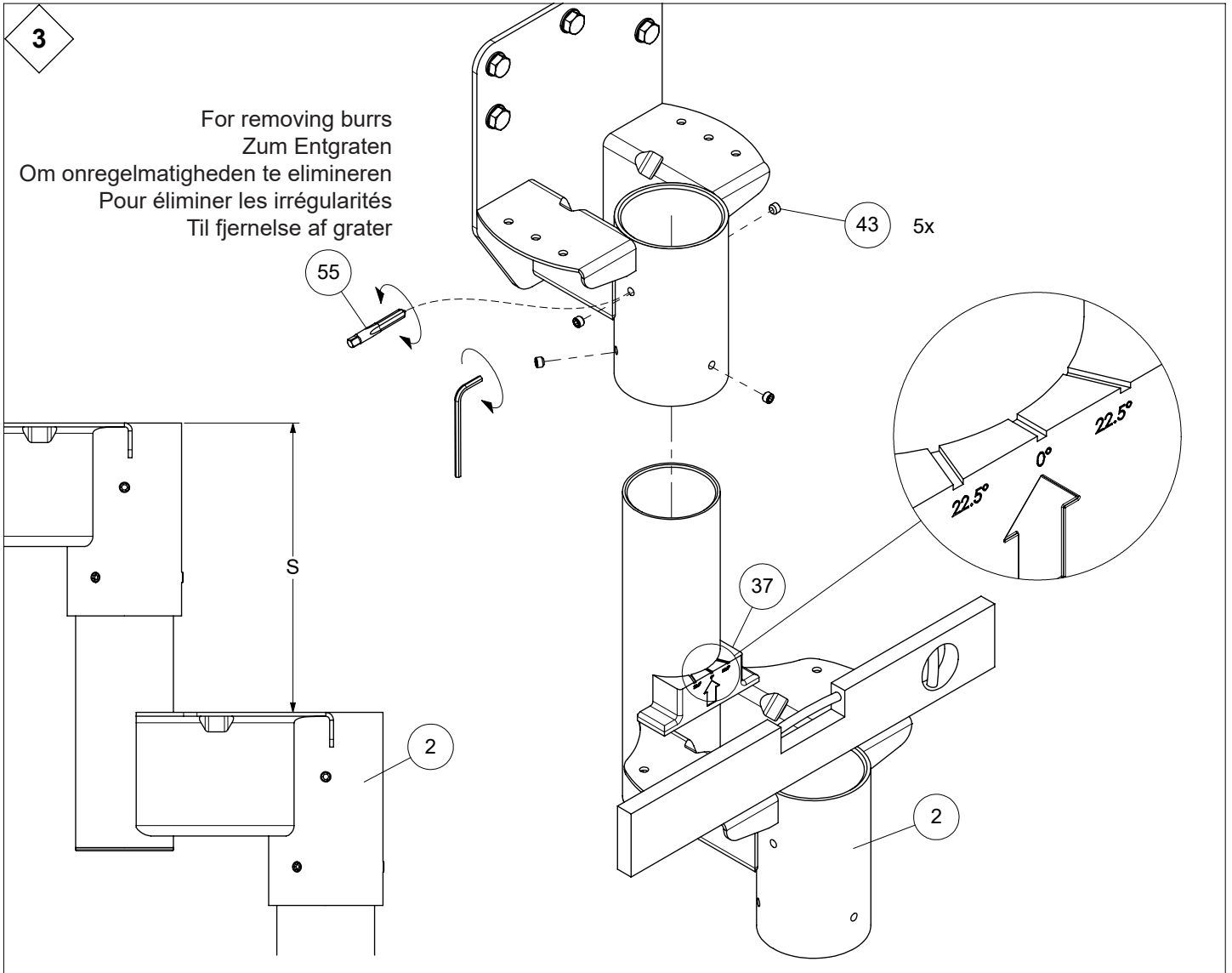


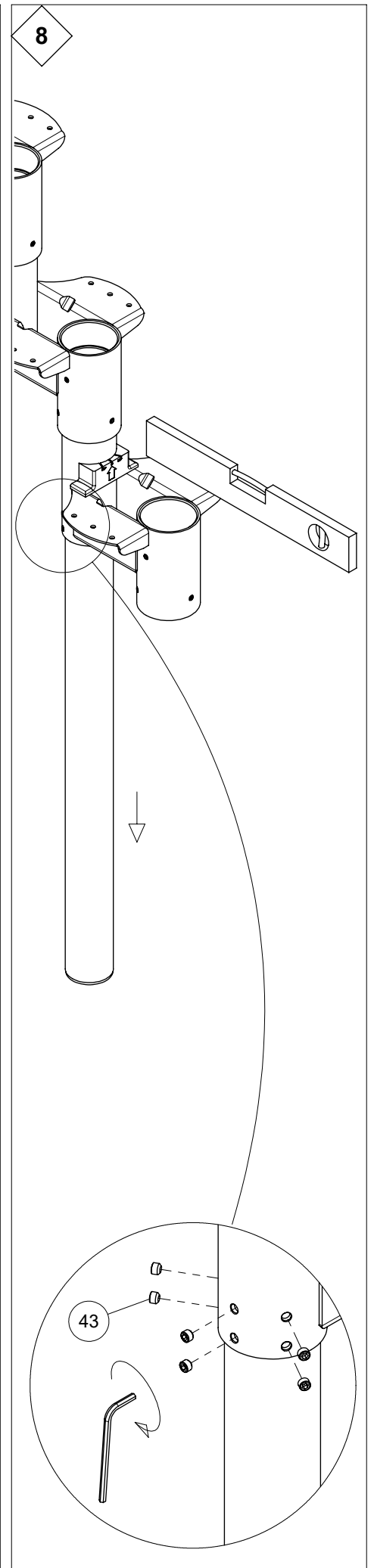
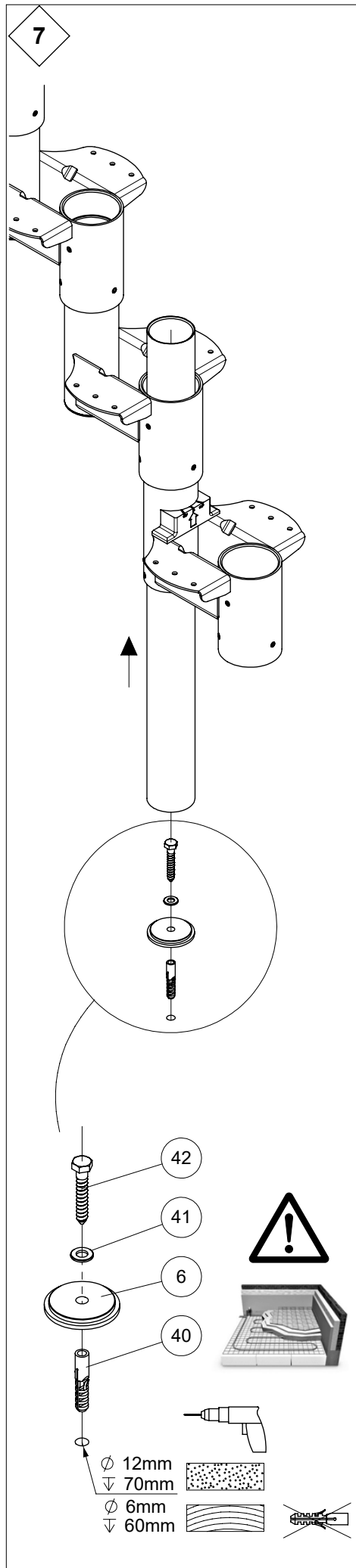
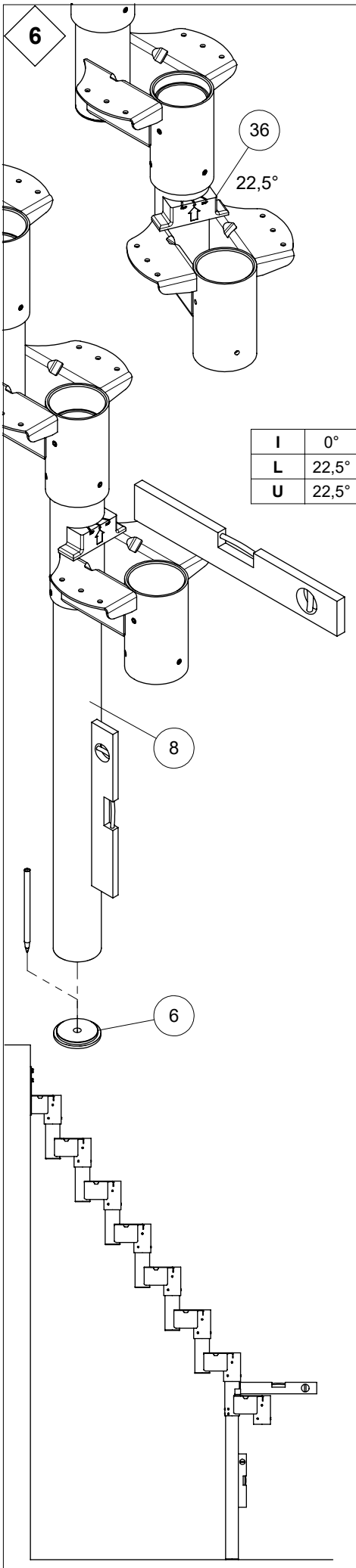
T	min H	max H
9	1850 mm	2250 mm
10	2035 mm	2475 mm
11	2220 mm	2700 mm
12	2405 mm	2925 mm
13	2590 mm	3150 mm
14	2775 mm	3375 mm
15	2960 mm	3600 mm



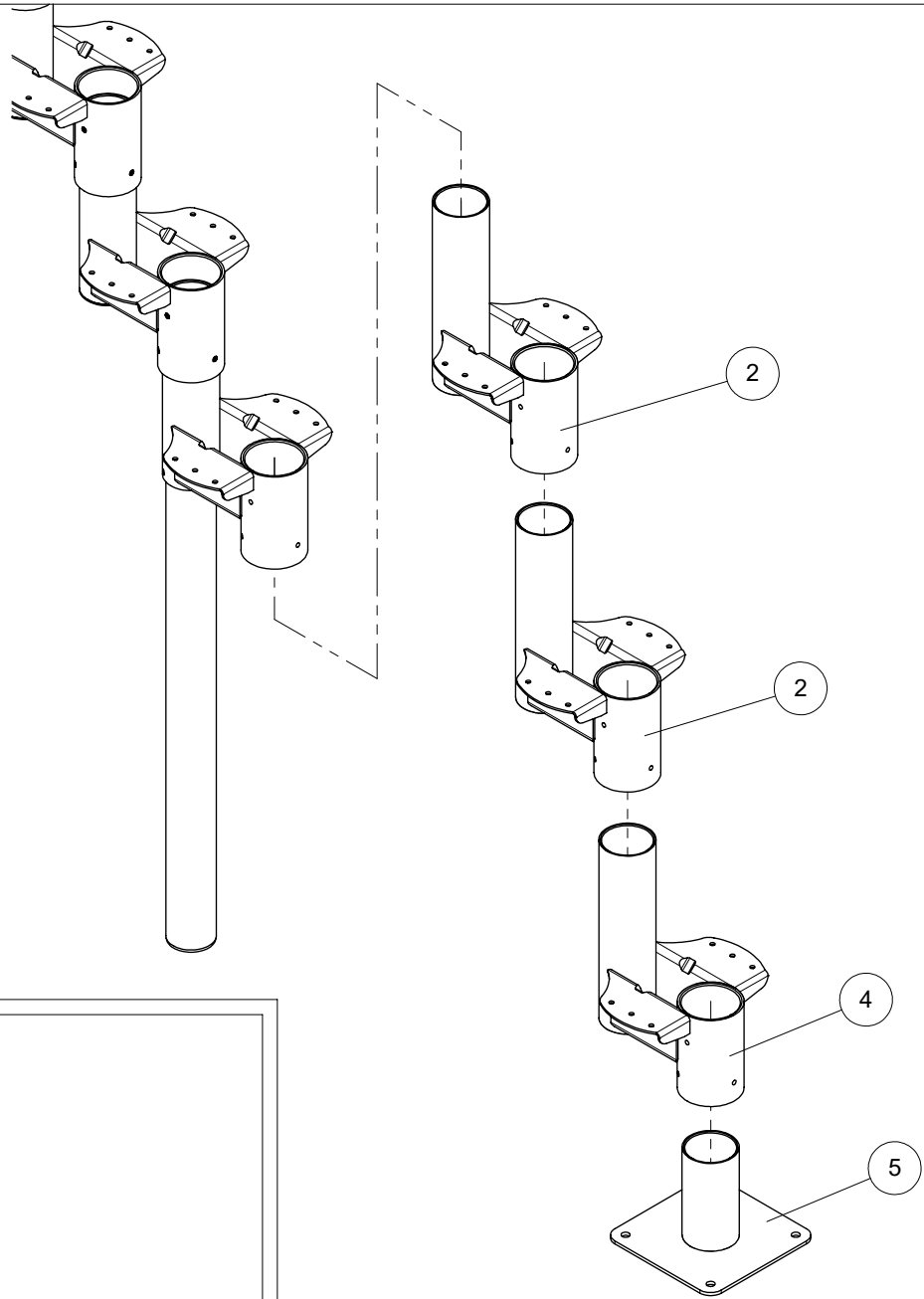




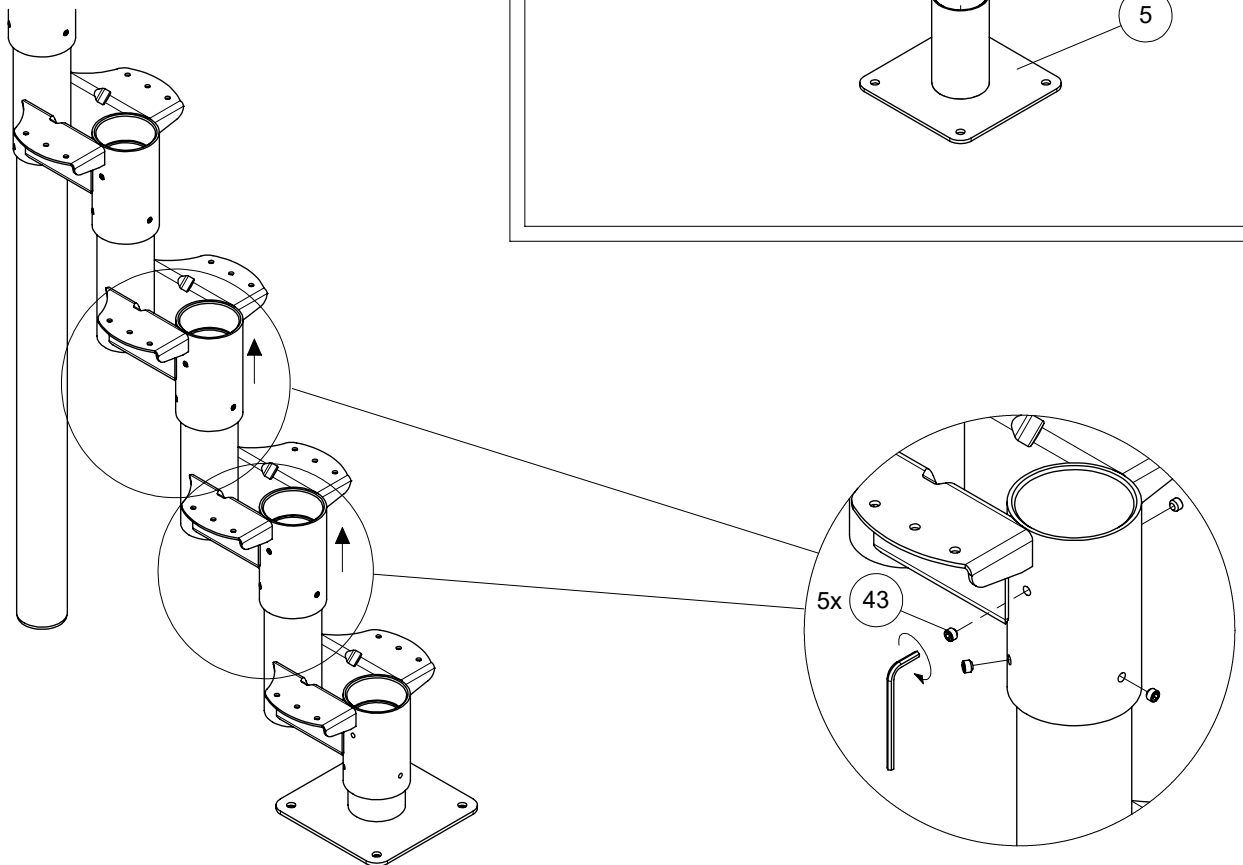


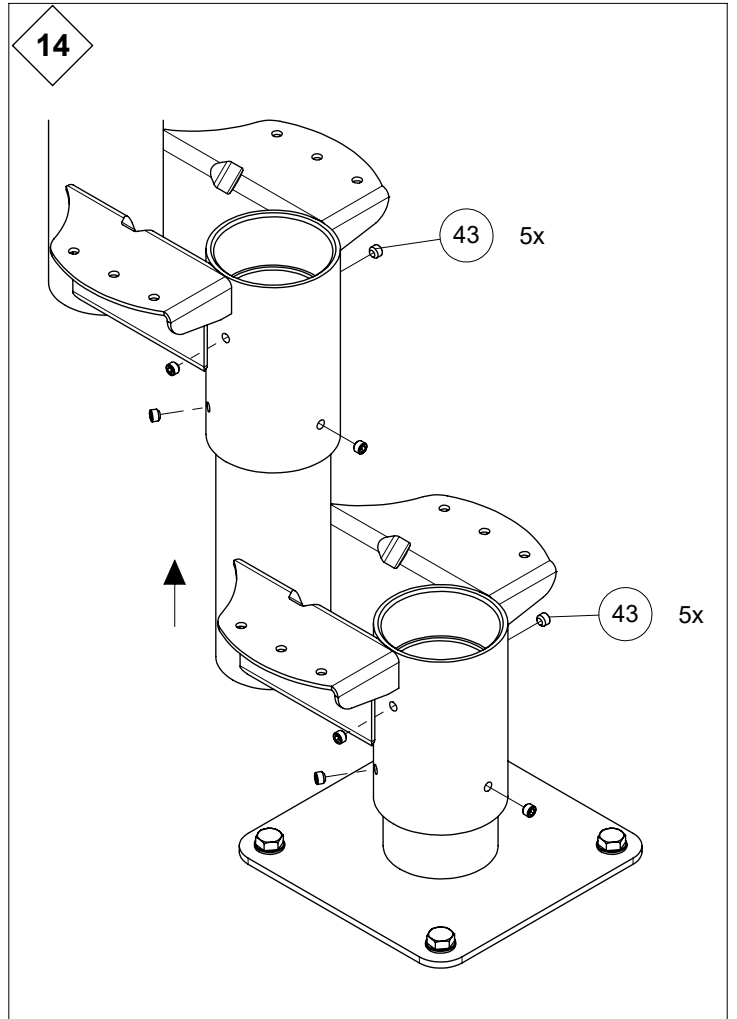
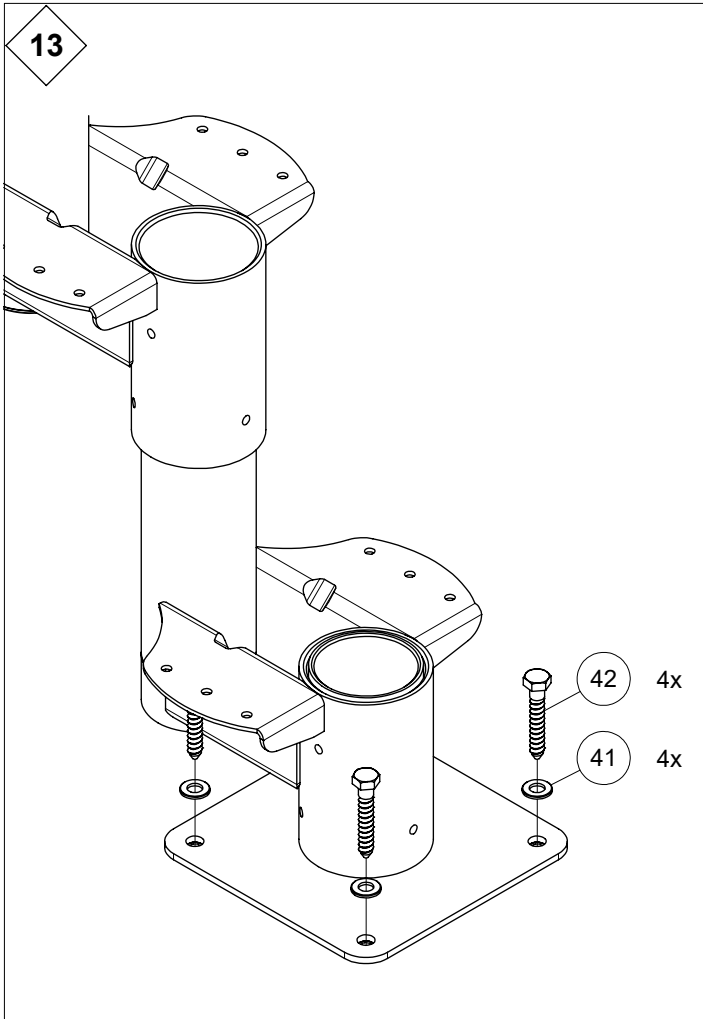
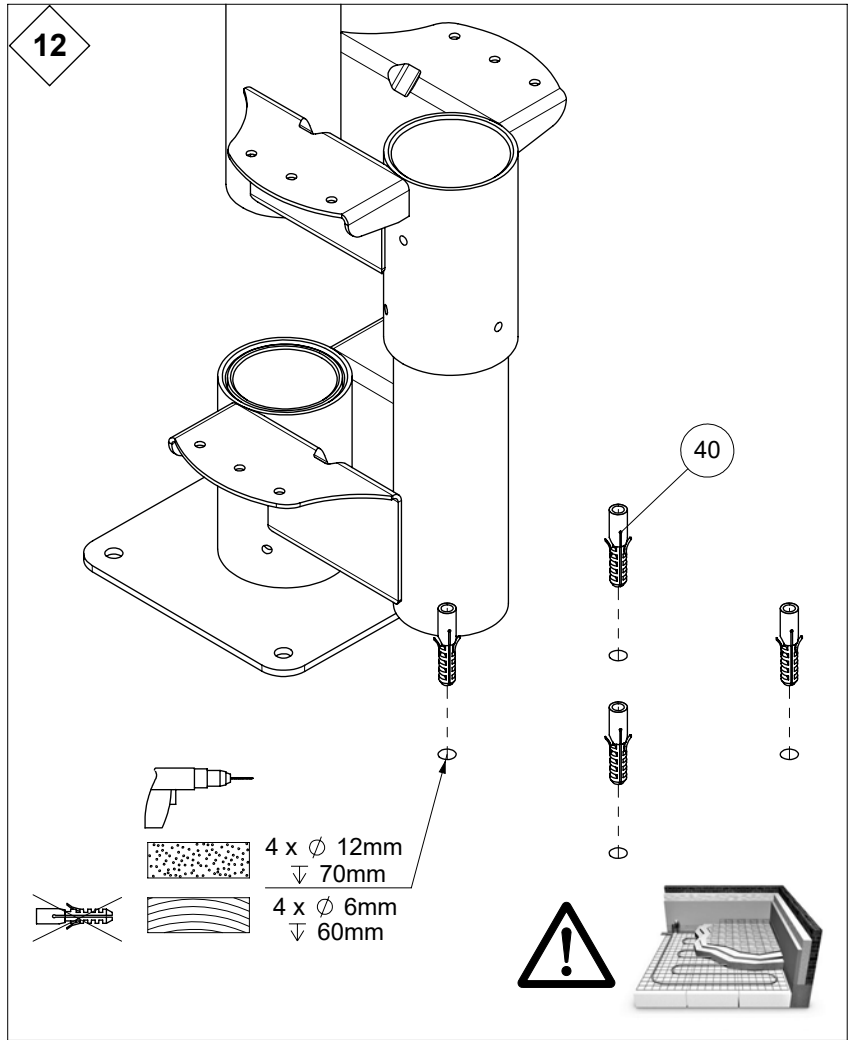
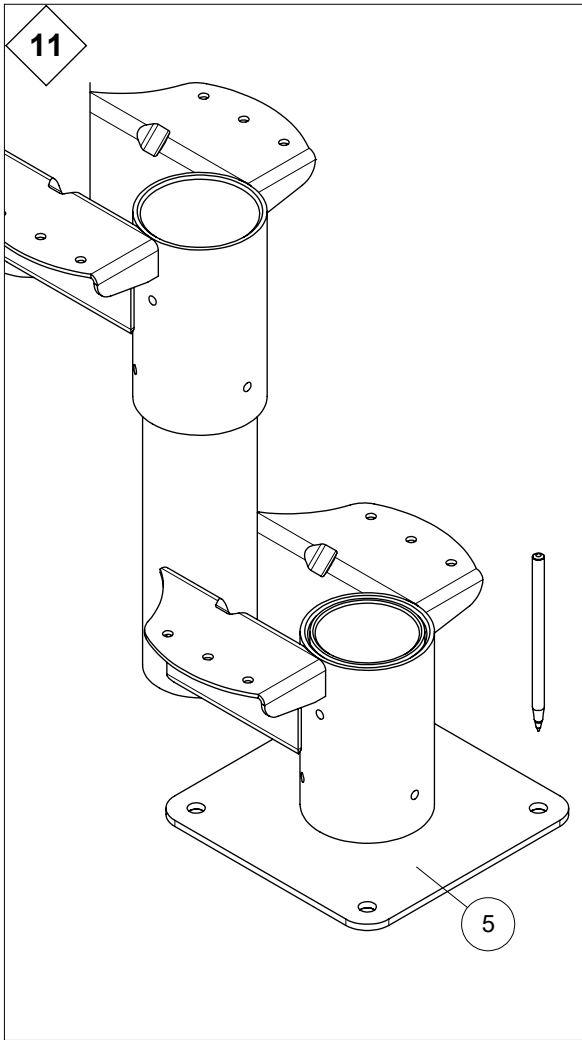


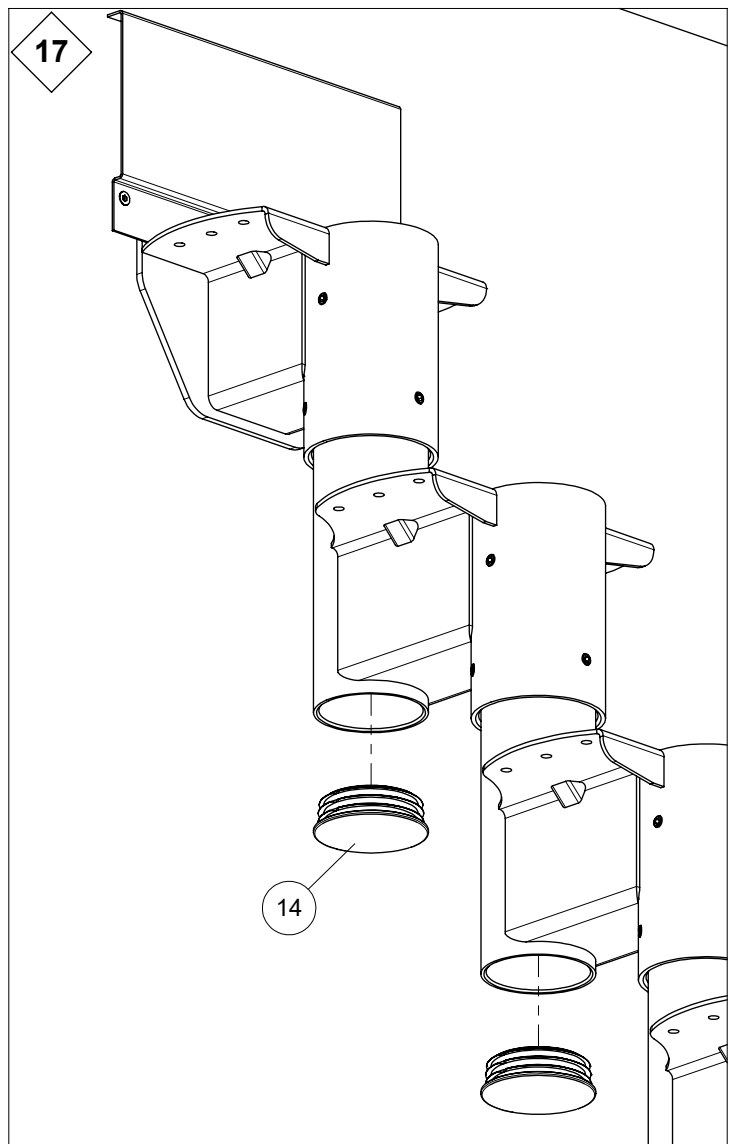
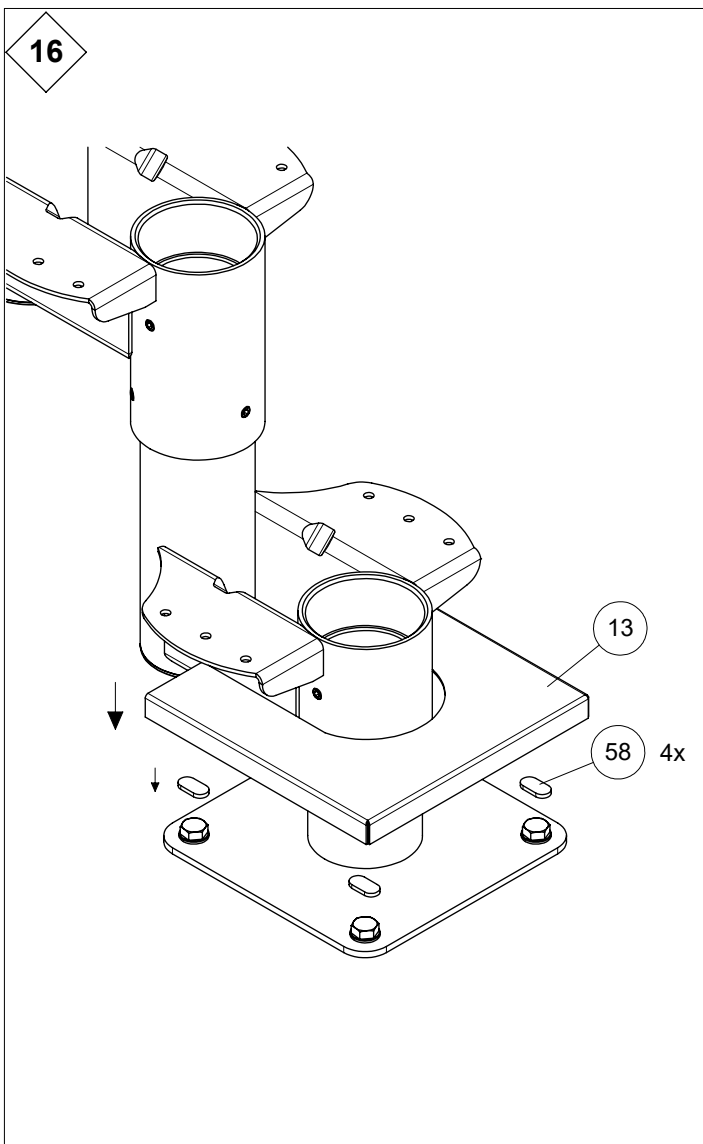
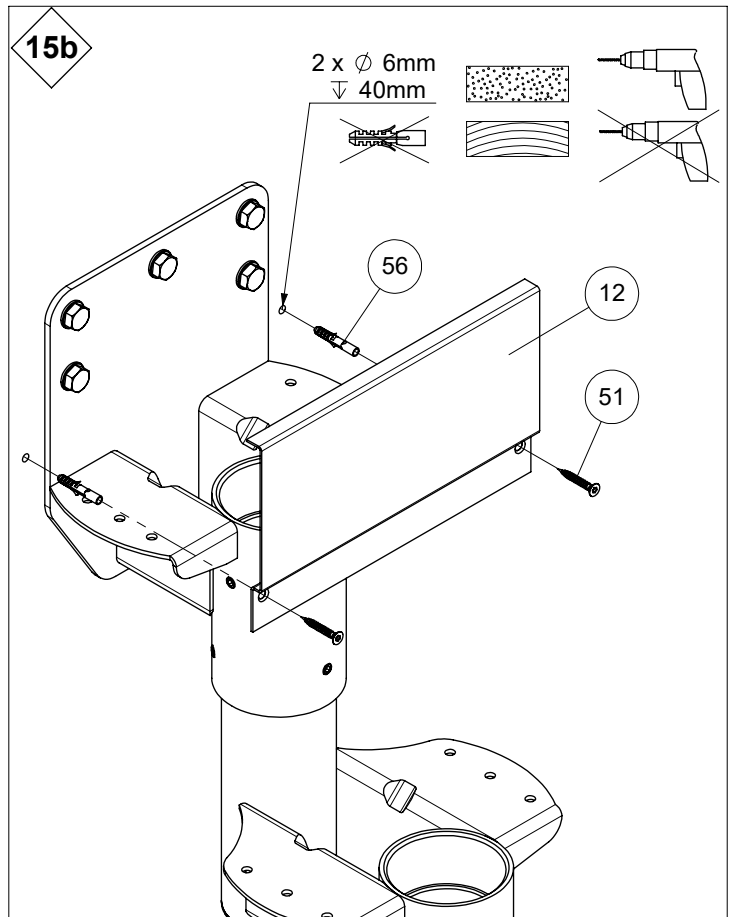
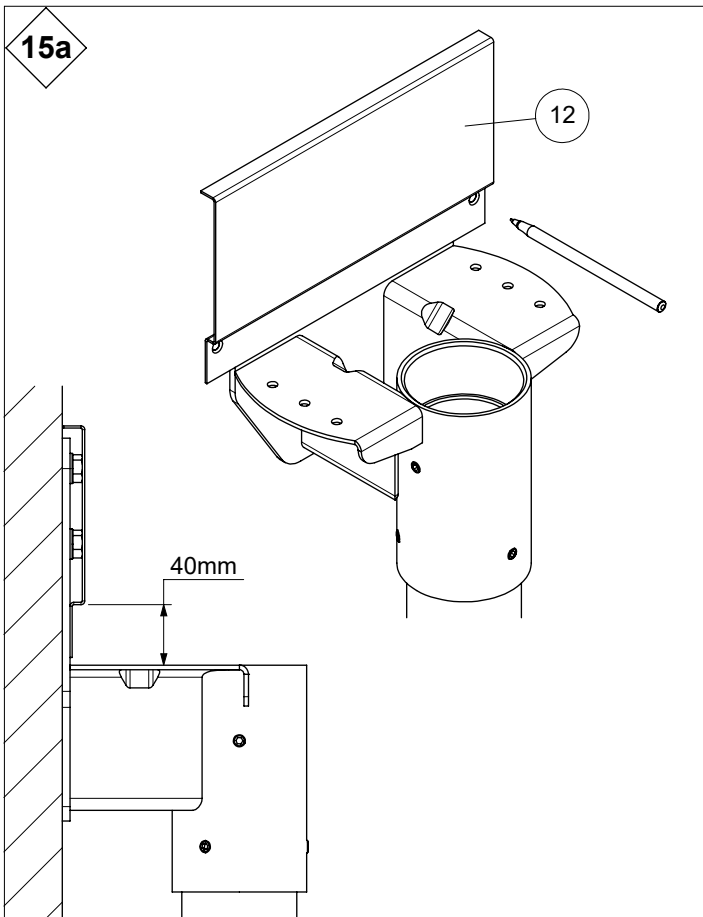
9



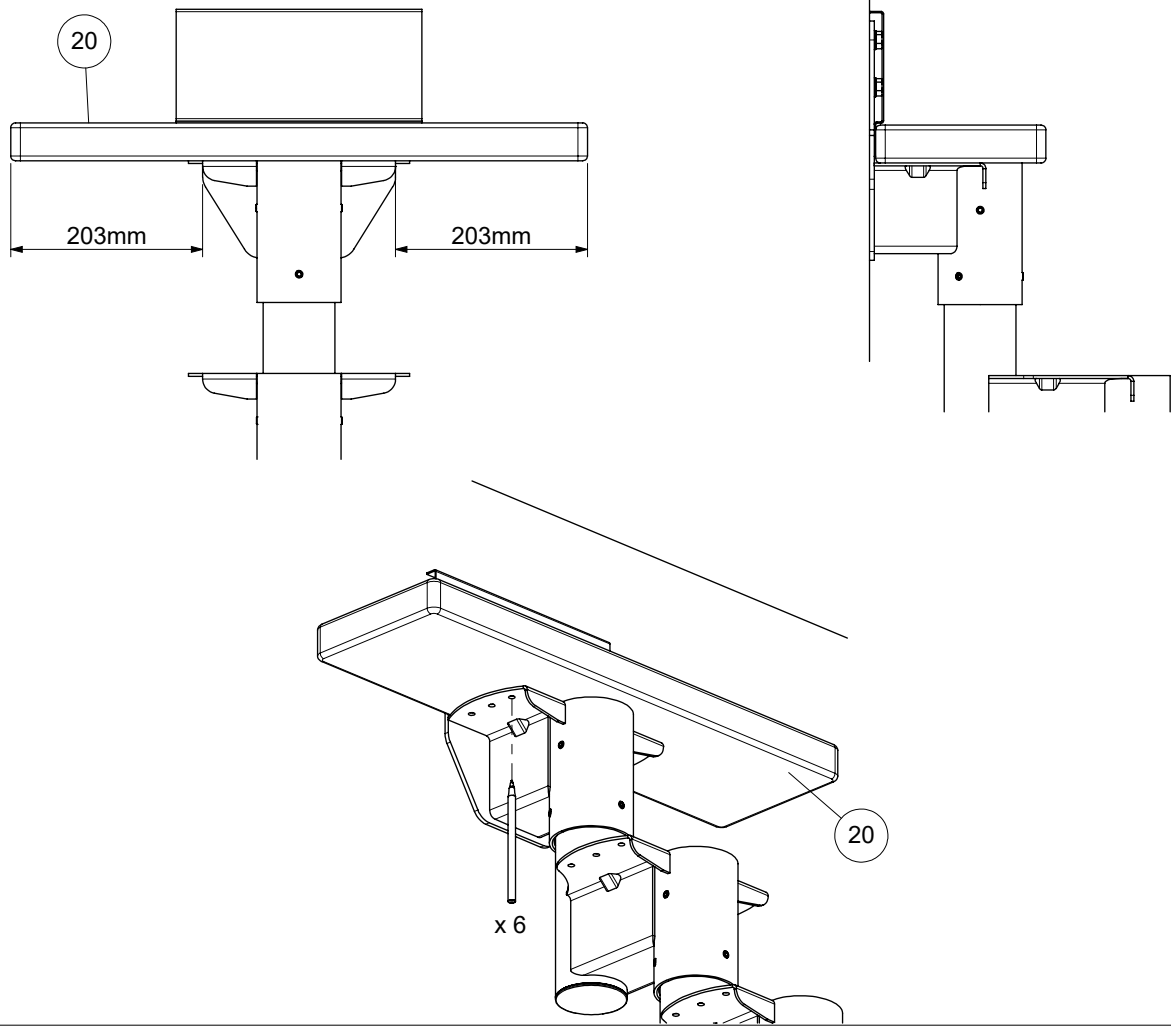
10



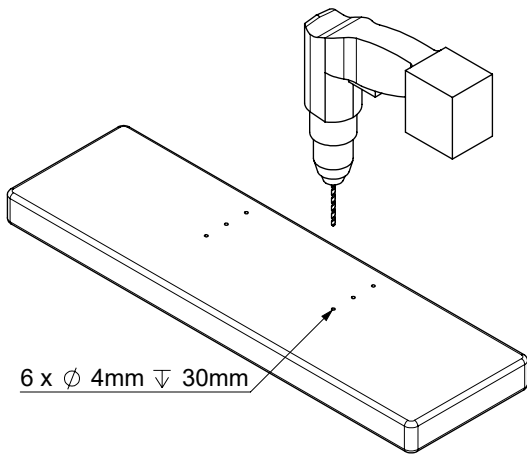




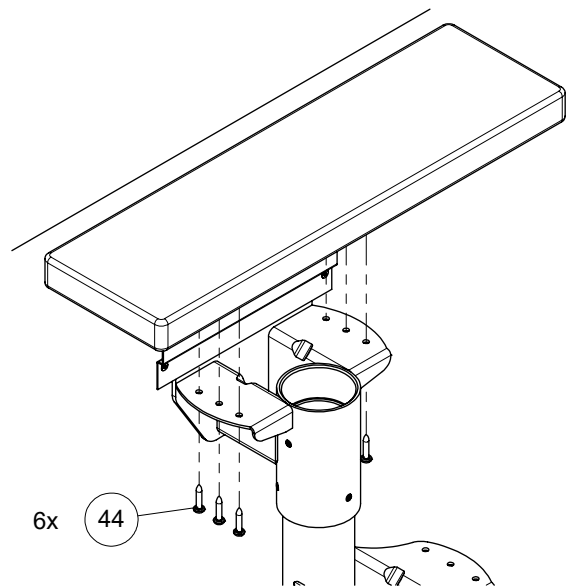
18



19

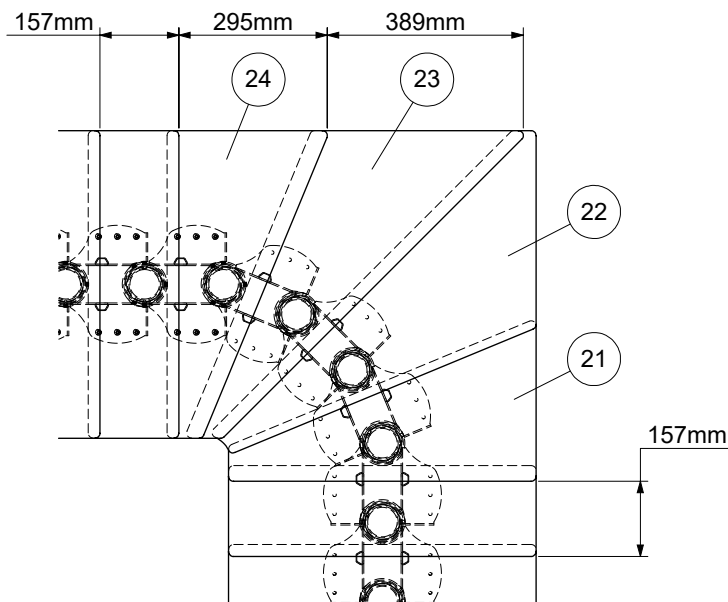
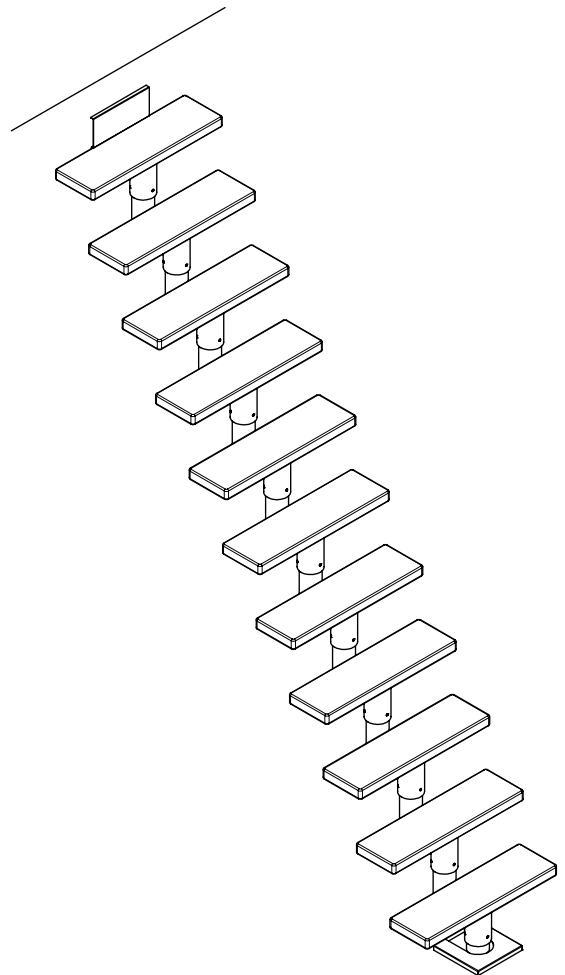
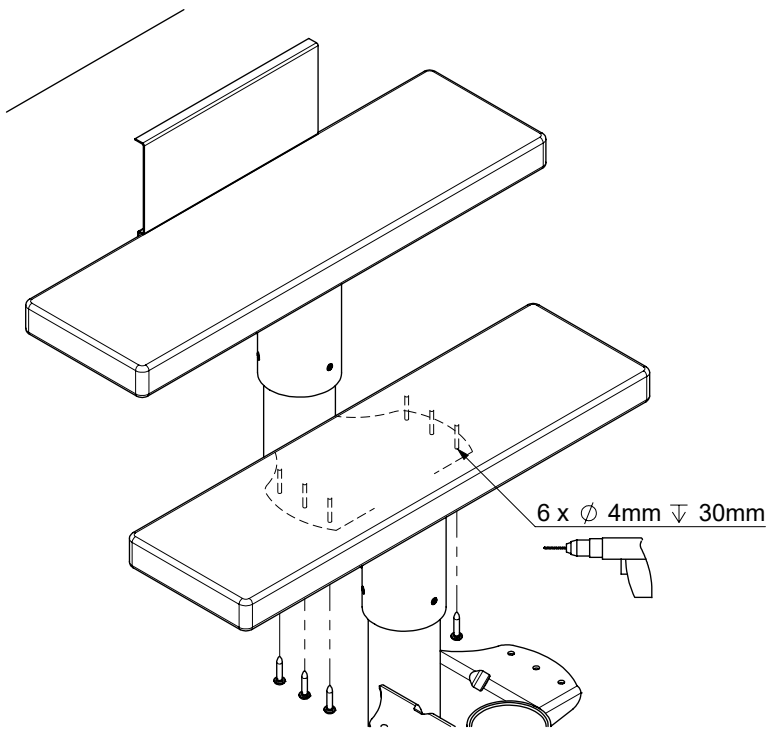
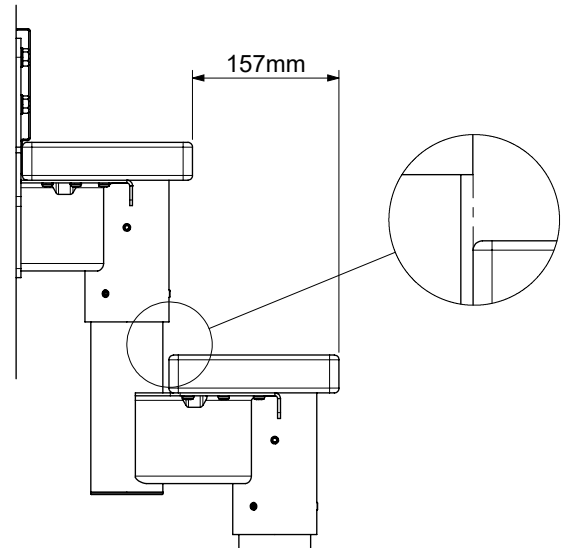
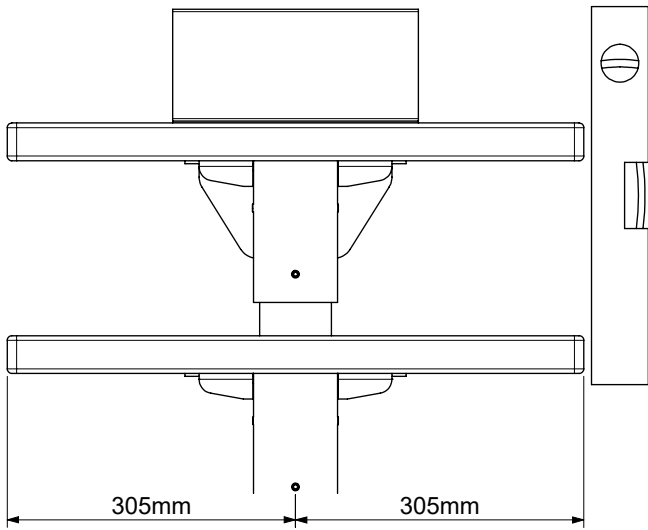


20





21

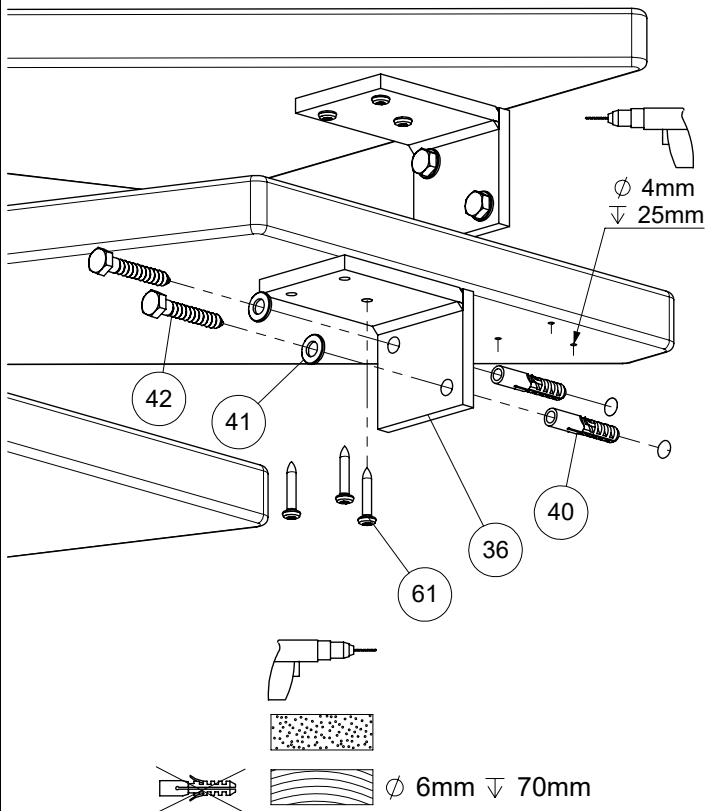
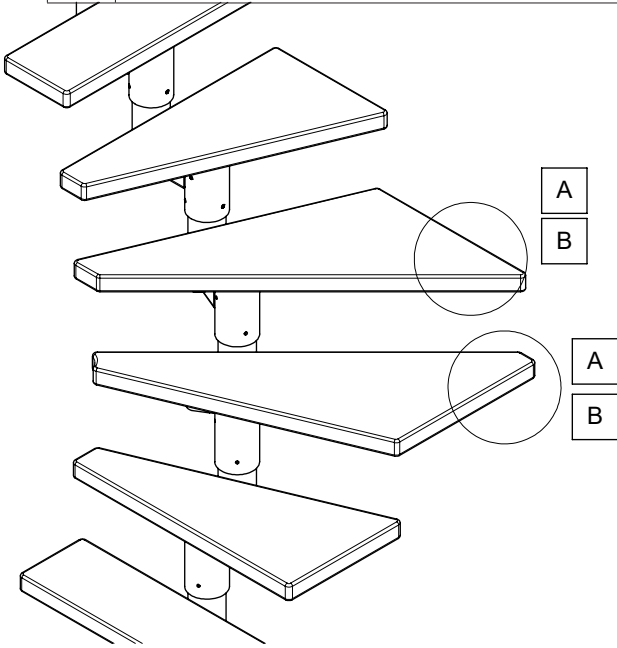


22

**I** Mounting of wallbrackets is optional  
Die Montage von Wandhalterungen ist optional  
Montage van muurbeugels is optioneel  
Le montage de supports muraux est facultatif  
Montering af vægbeslag er valgfri

**L** 2 wall brackets in position A or B  
2 Wandhalterungen in der Position A oder B  
2 muurbeugels in positie A of B  
2 supports mural dans la position A ou B  
2 vægbeslag i position A eller B

**U** 4 wall brackets in position A or B  
4 Wandhalterungen in der Position A oder B  
4 muurbeugels in positie A of B  
4 supports mural dans la position A ou B  
4 vægbeslag i position A eller B



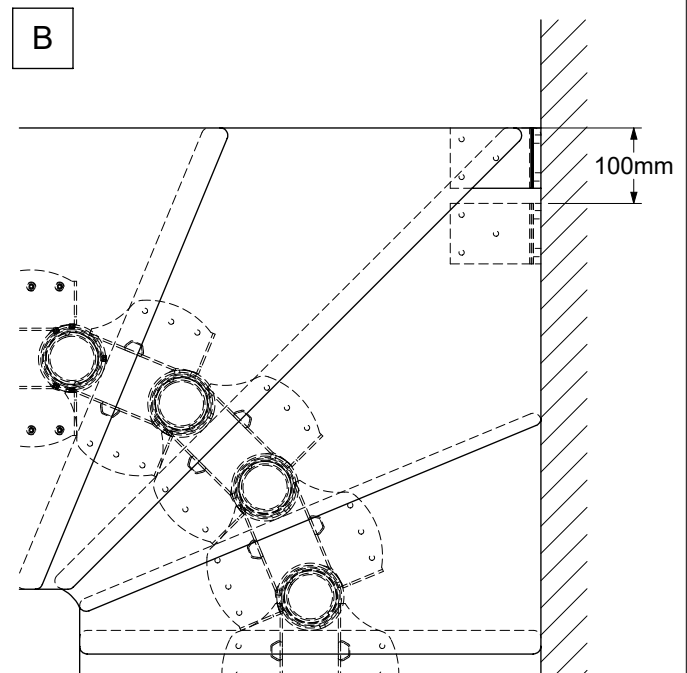
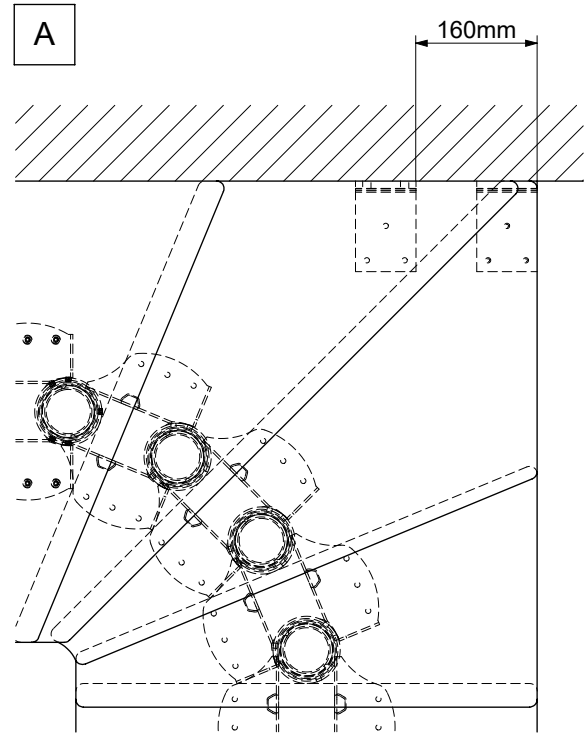
2 wall brackets must be mounted on a 1/4 turn or 4 on a 1/2 turn staircase.

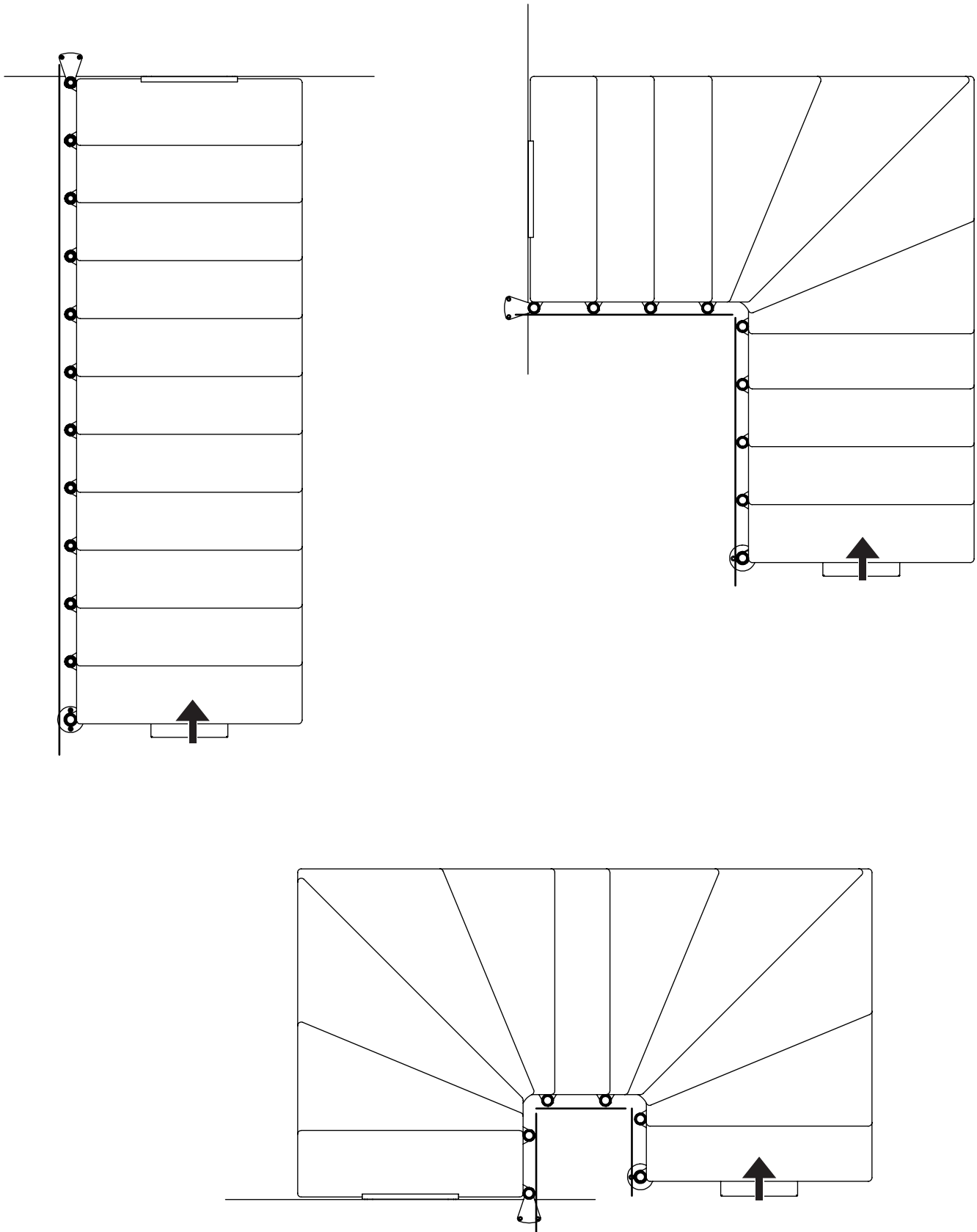
2 Wandhalterungen müssen auf einer 1/4-gewendelten oder 4 auf einer 1/2-gewendelten Treppe montiert werden.

2 muurbeugels moeten gemonteerd worden op een 1/4 draai of 4 op een 1/2 draai trap.

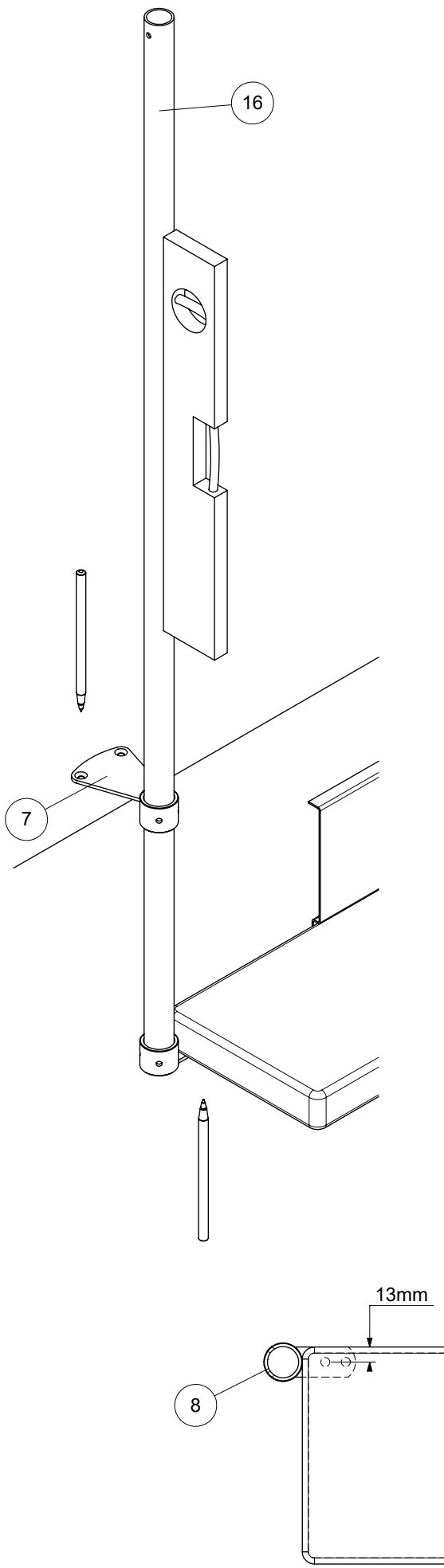
2 supports mural doivent être monté sur un escalier 1/4 ou 4 sur un escalier 1/2 tournant.

2 vægvinkler er påkrævet i en 1/4-svings- eller 4 i en 1/2-svings-trappe.





23



24

