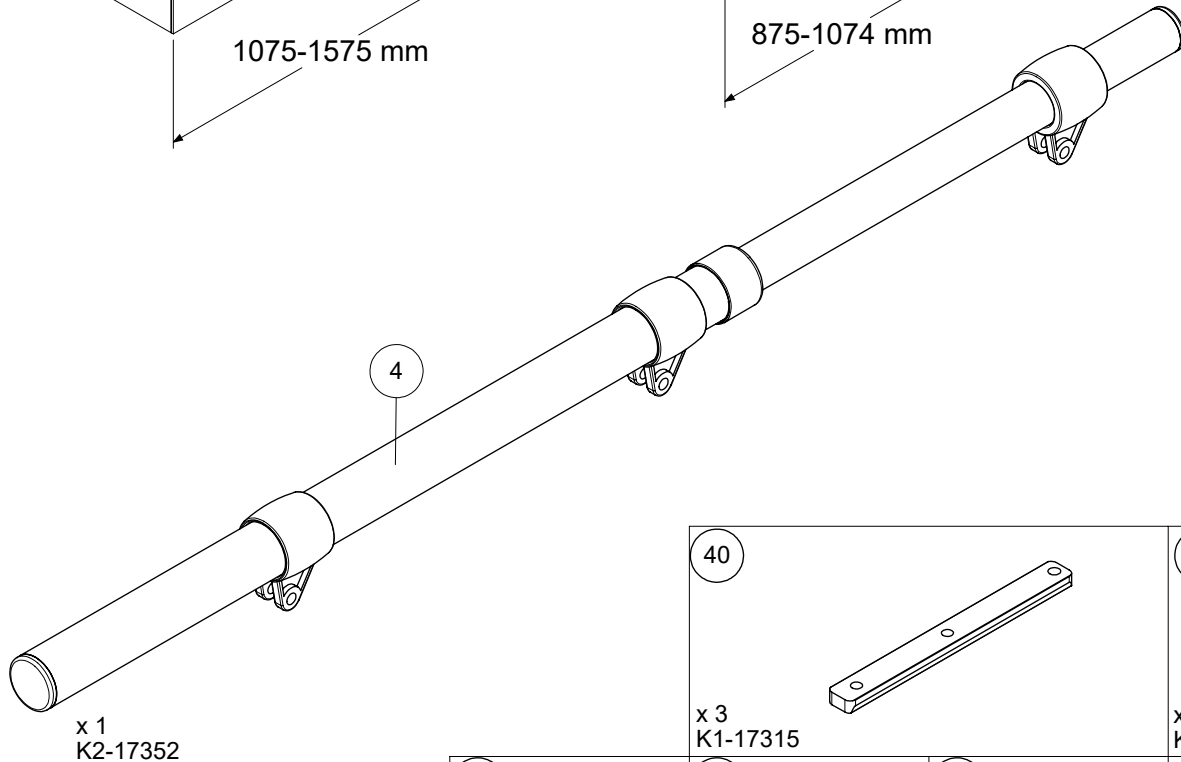
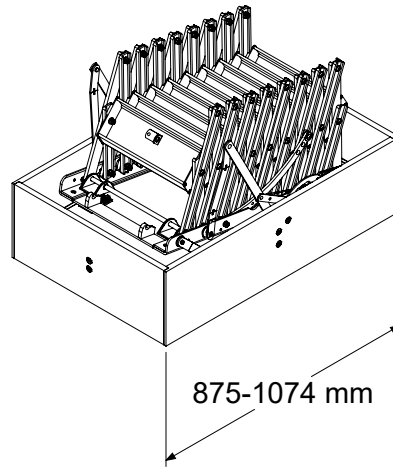
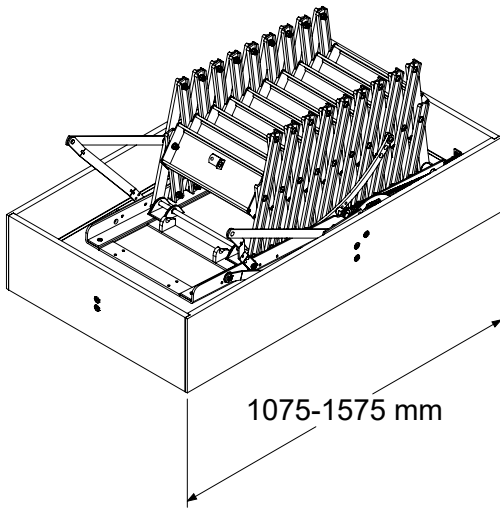
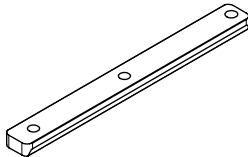

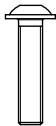

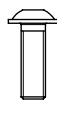





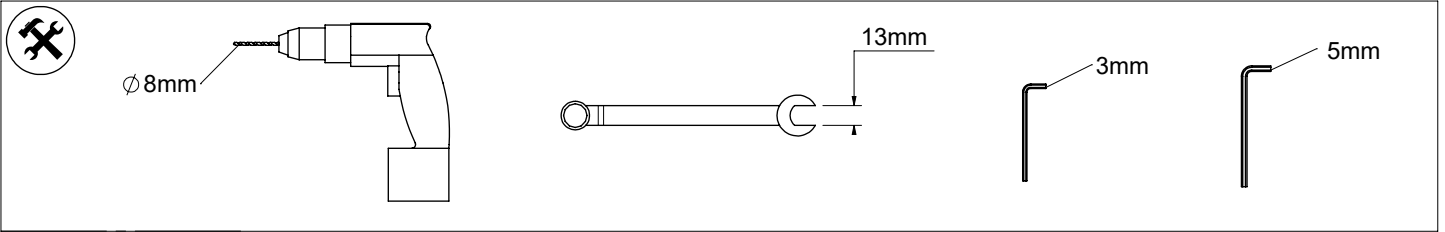


Montage DOLLE clickFIX vario Teleskophandlauf, 2-teilig



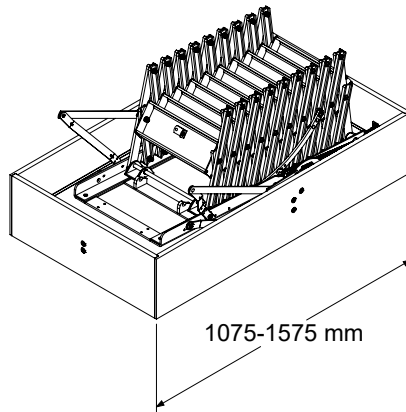
	<p>40</p>  <p>x 3 K1-17315</p>	<p>41</p>  <p>x 3 K1-17310</p>	
<p>42</p>  <p>x 6 K3-02535 M8 x 35</p> 	<p>43</p>  <p>x 3 K3-02525 M8 x 25</p> 	<p>44</p>  <p>x 6 K3-04002 Ø8</p> 	<p>45</p>  <p>x 6 K3-03028 M8</p> 



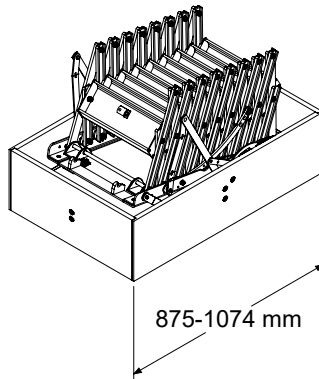
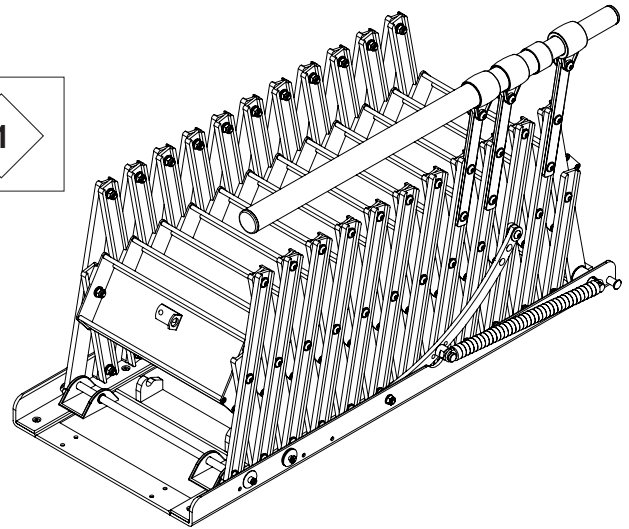
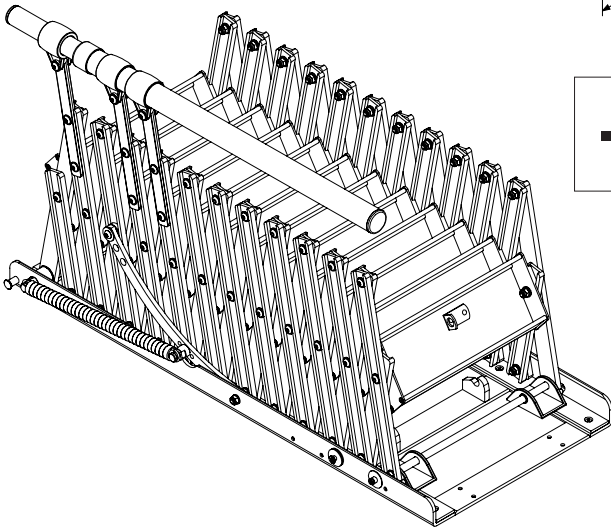
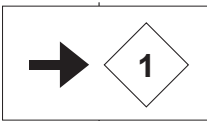
L



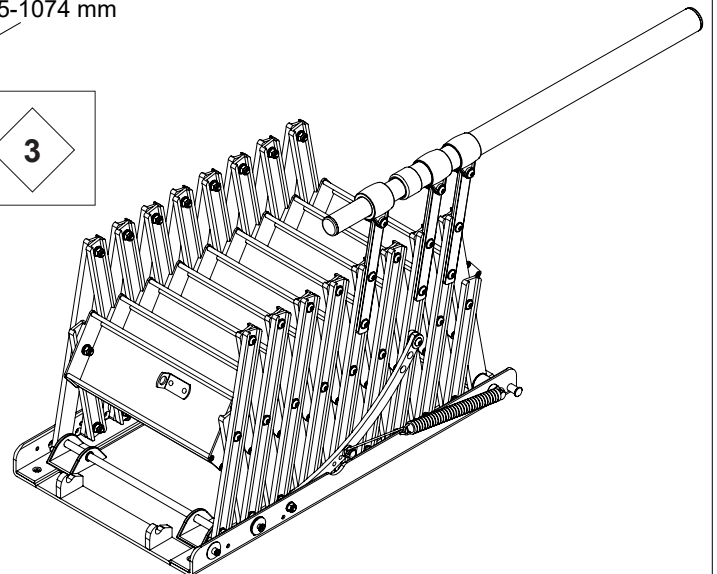
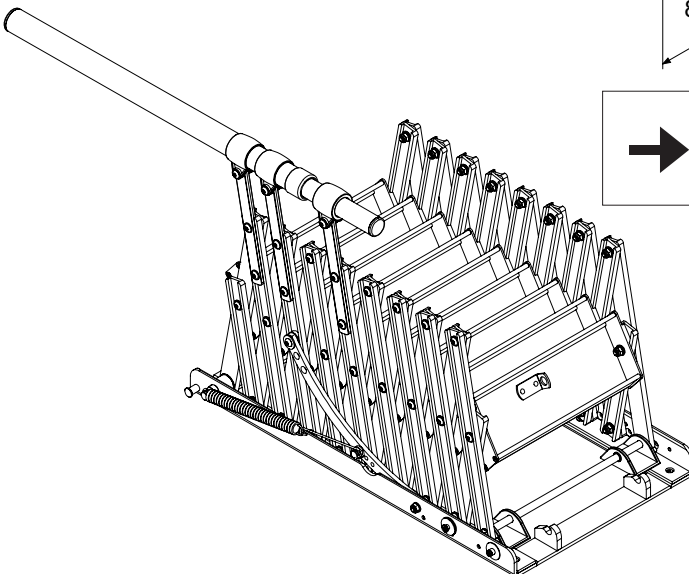
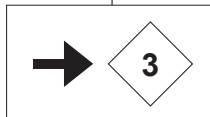
R



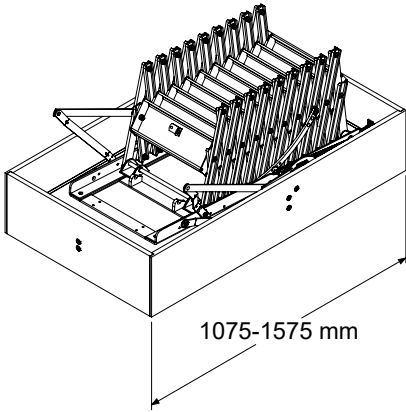
1075-1575 mm



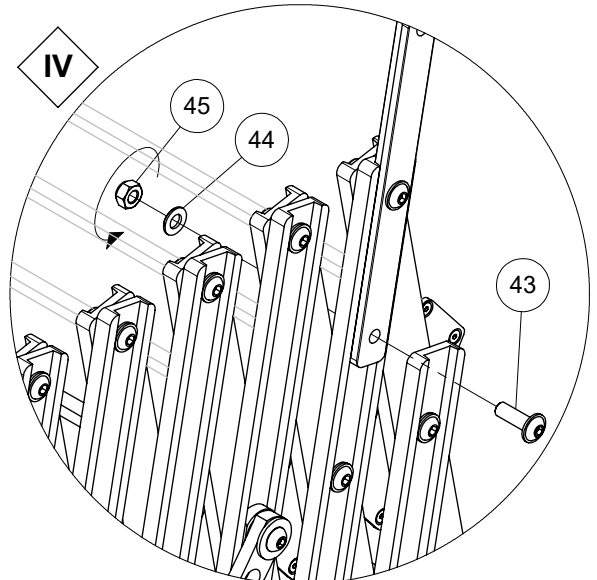
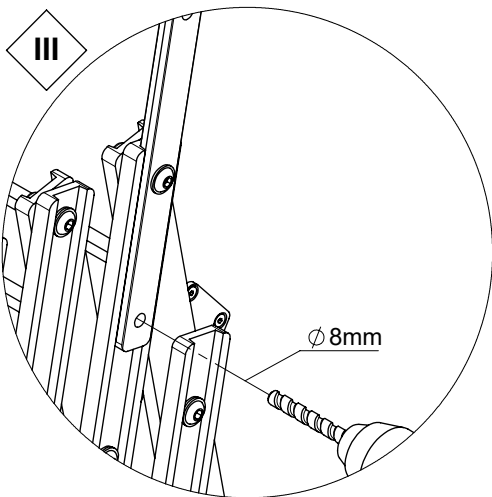
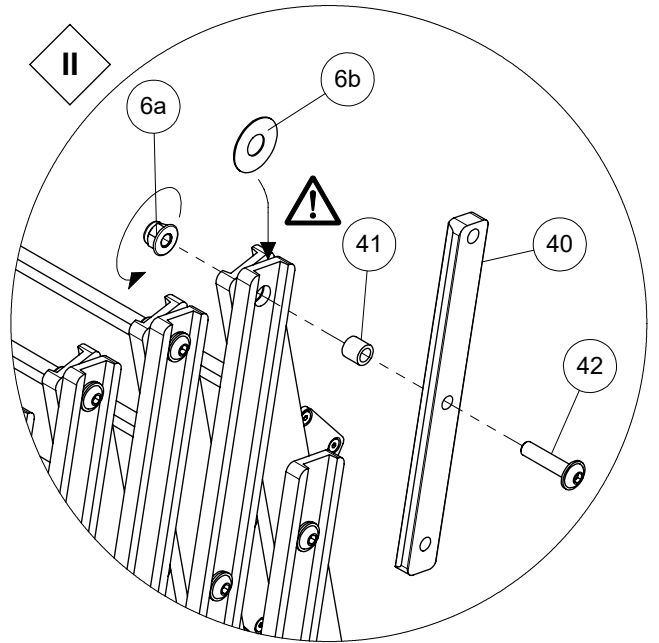
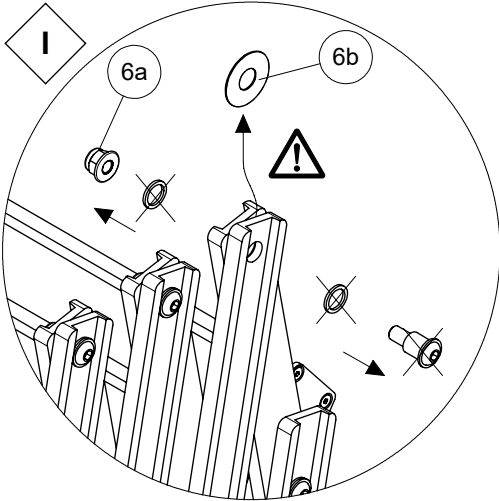
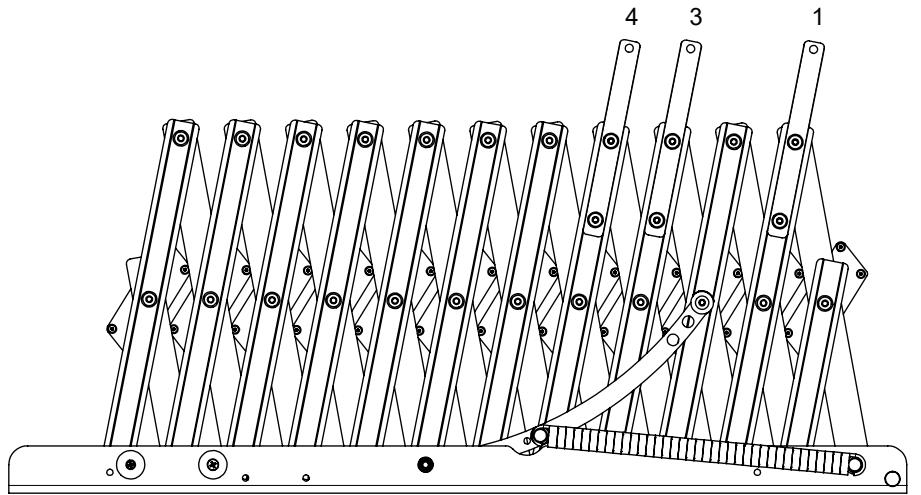
875-1074 mm



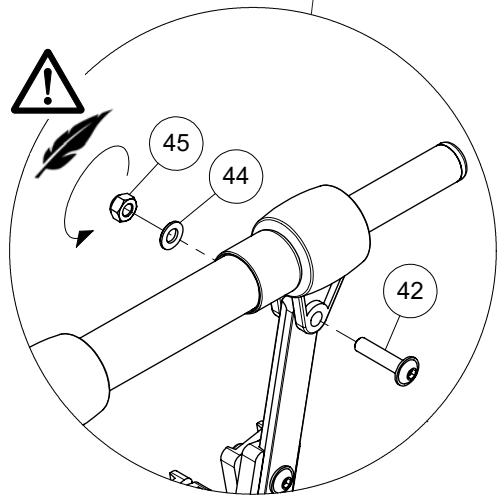
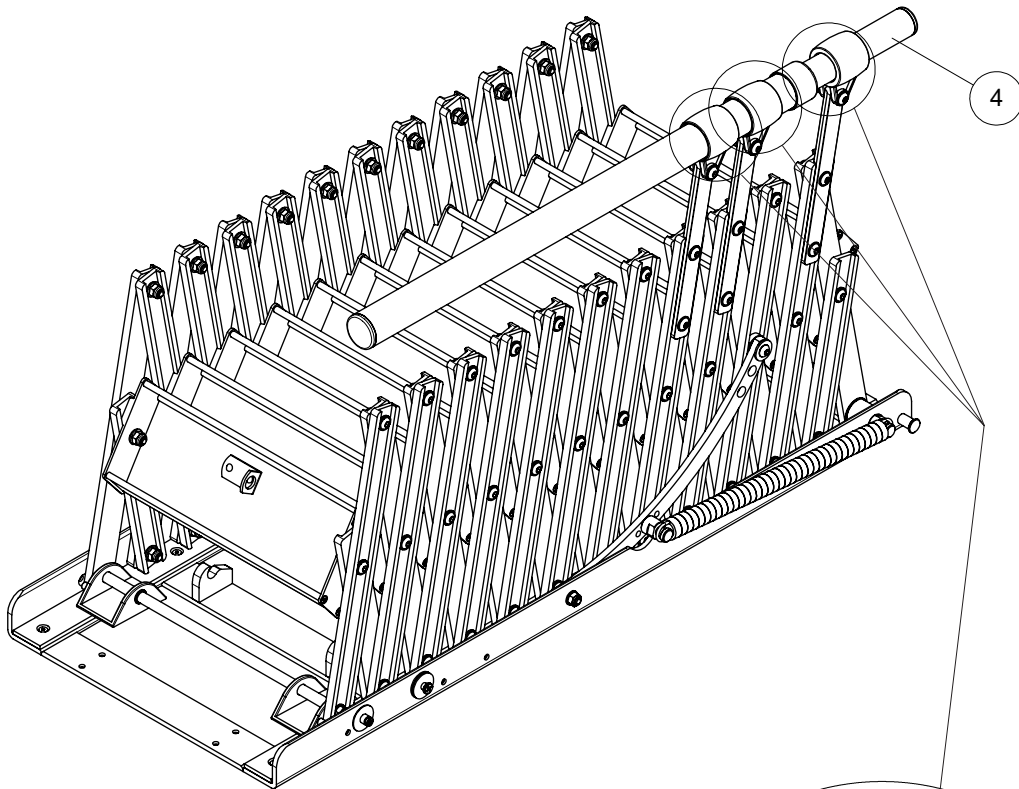
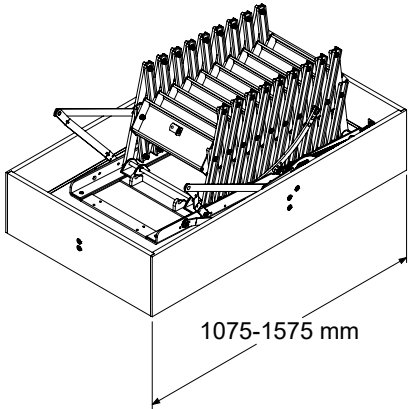
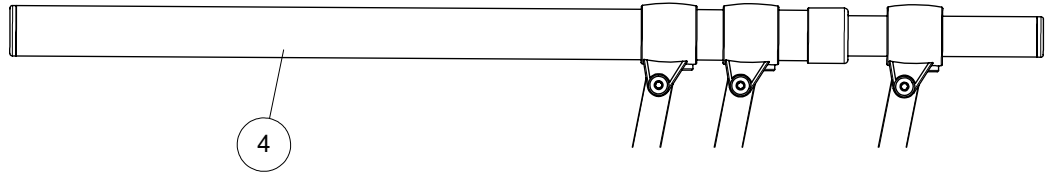
1



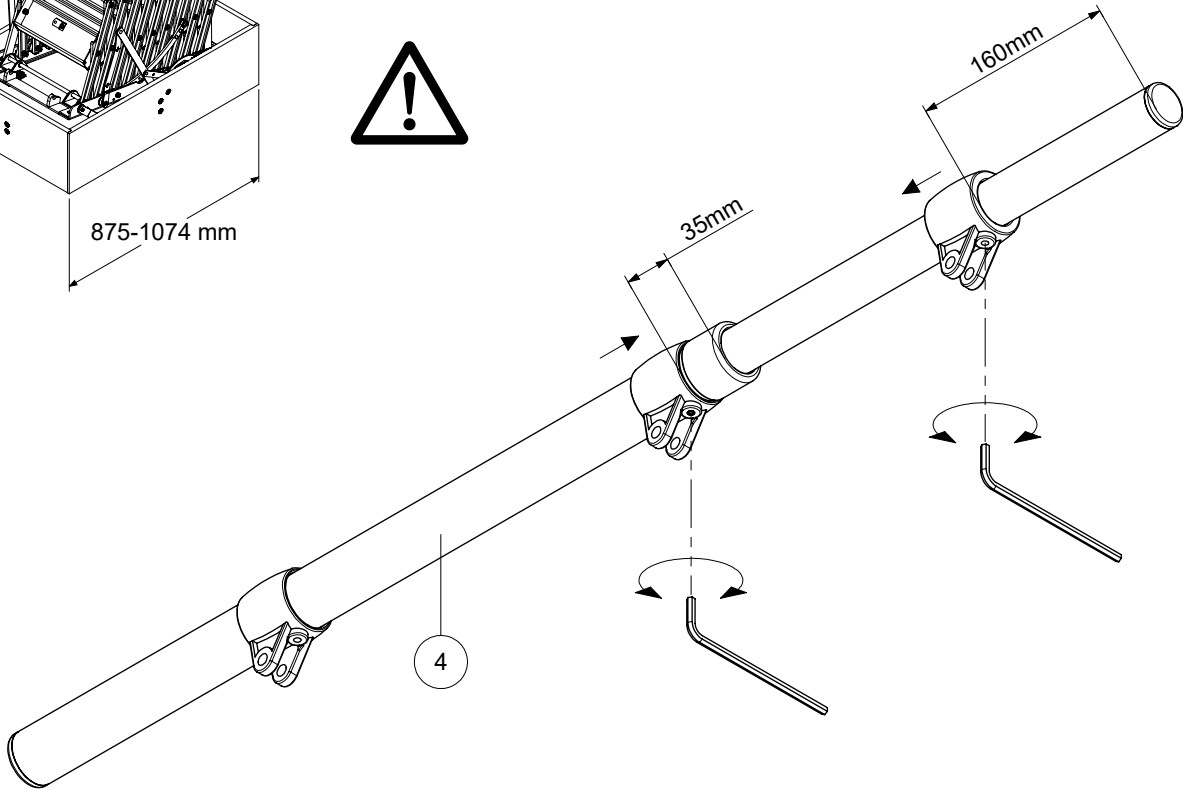
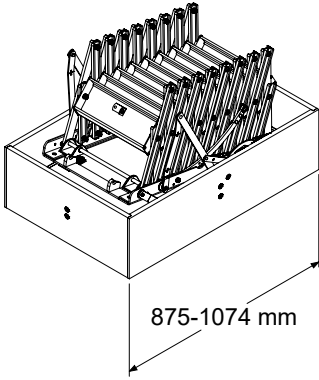
1075-1575 mm



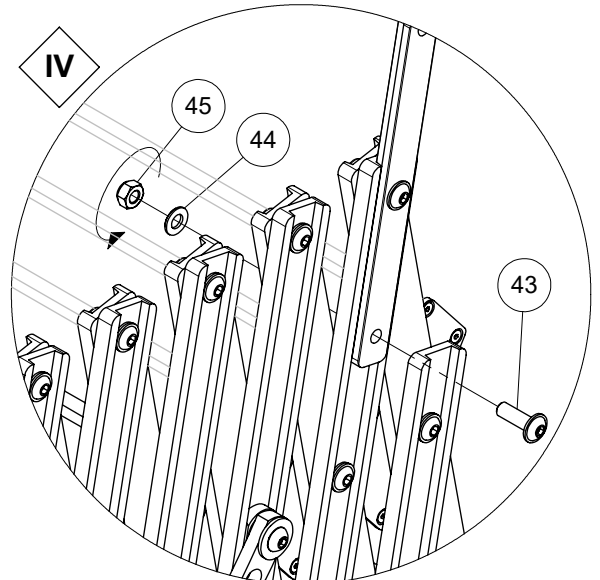
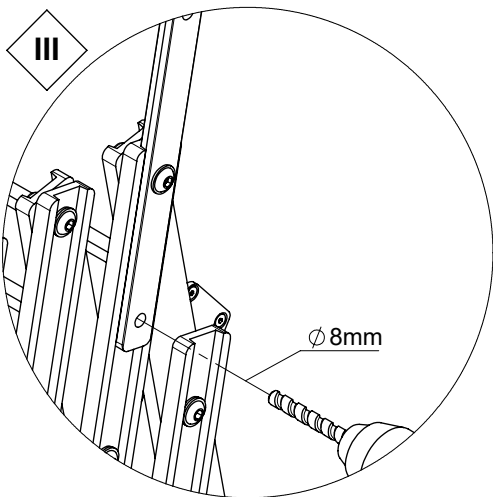
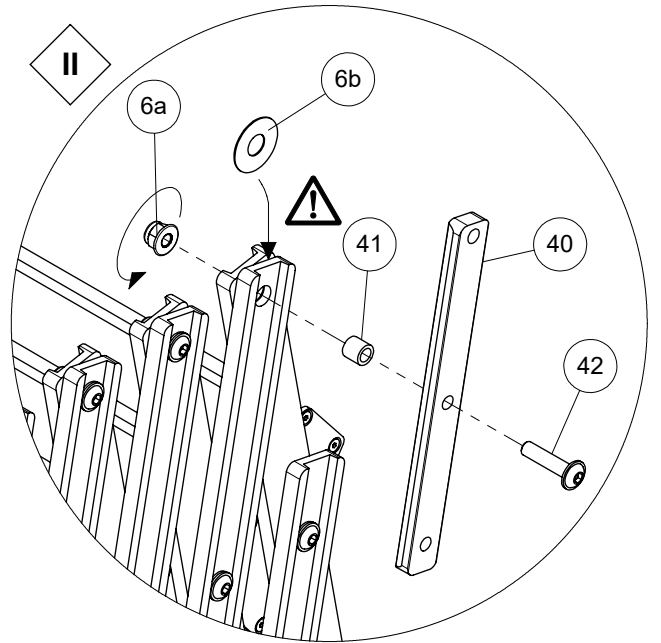
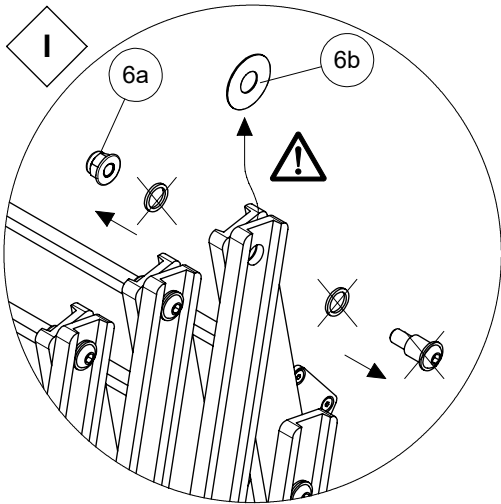
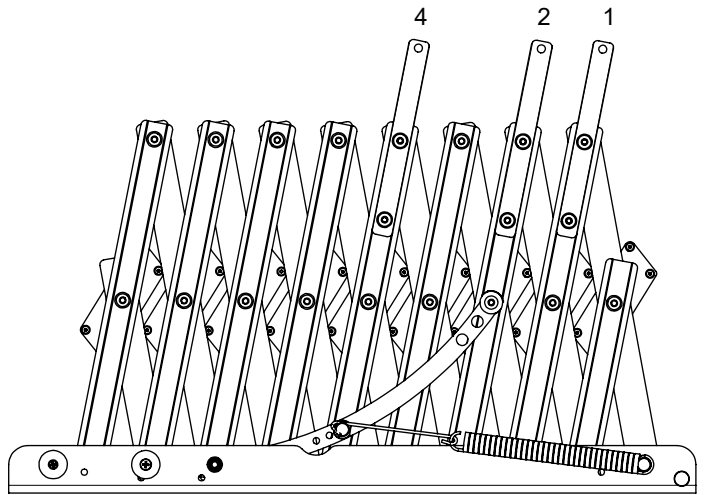
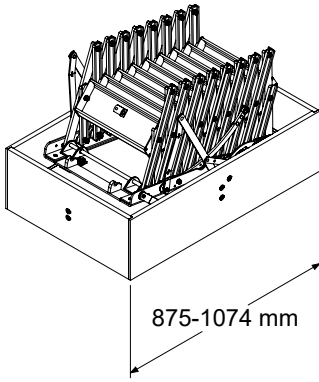
2



3



4



5

