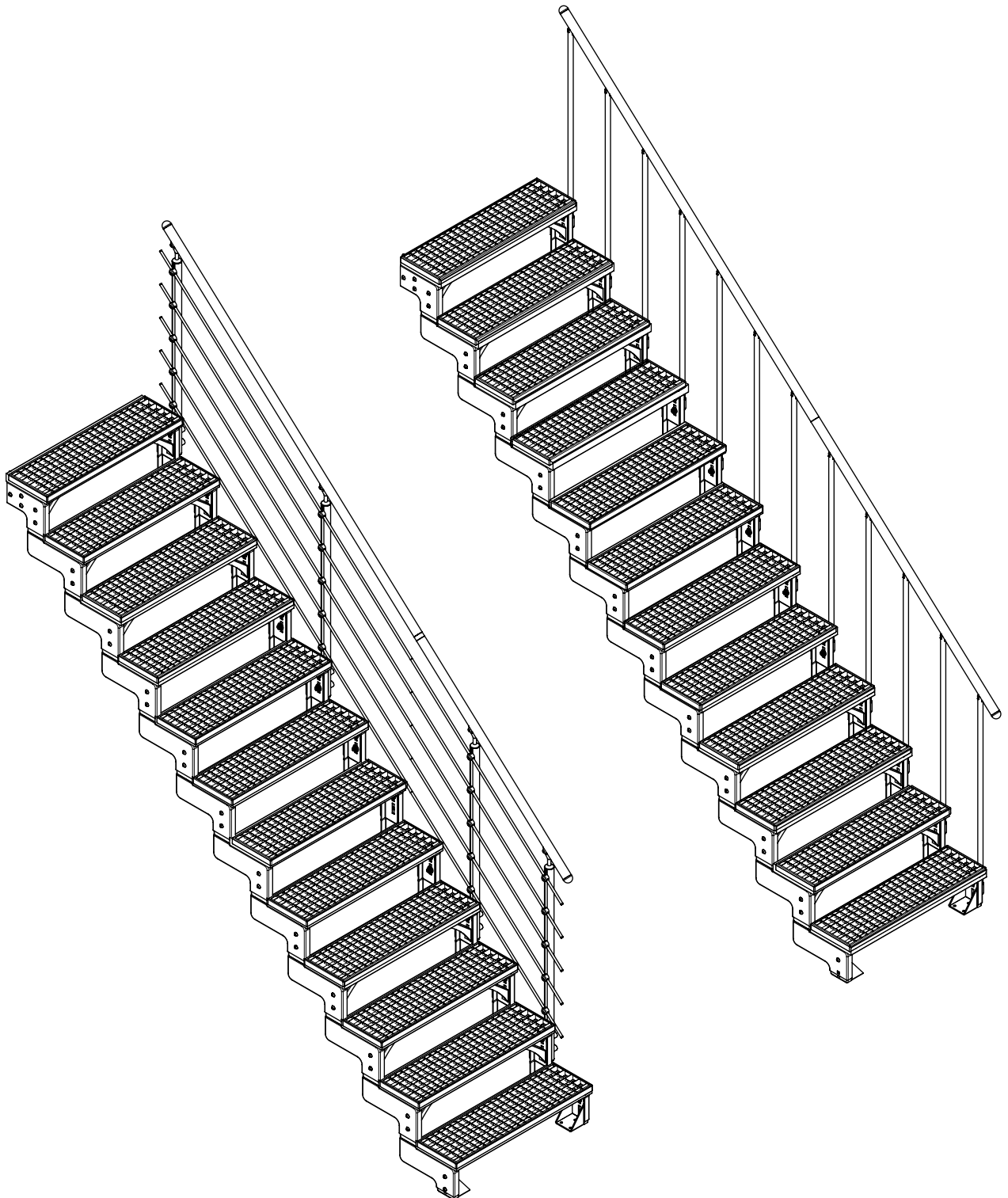


GARDENTOP


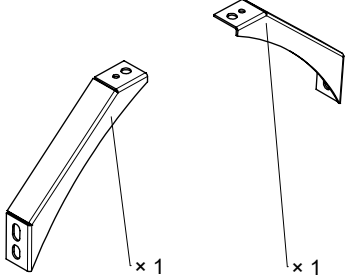






Gitterrost

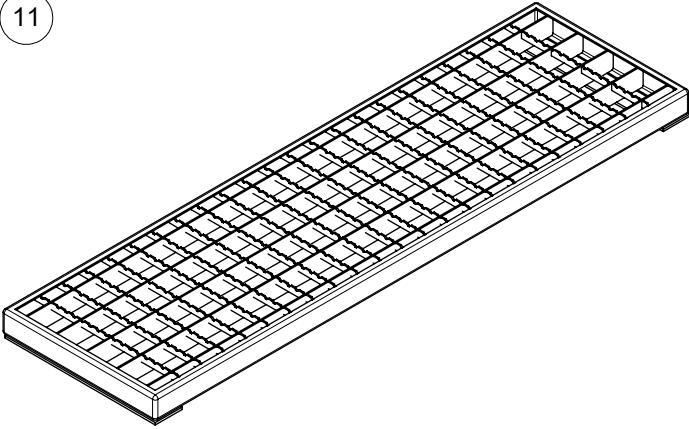
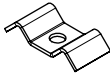


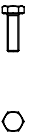


Montageanleitung
Installation instruction

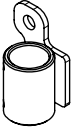
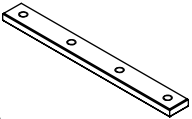
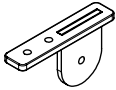

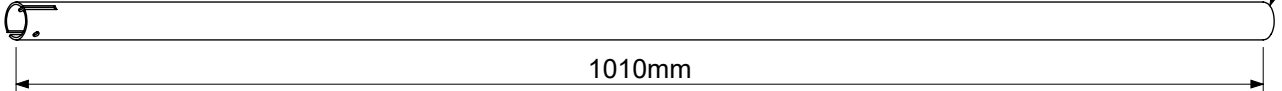








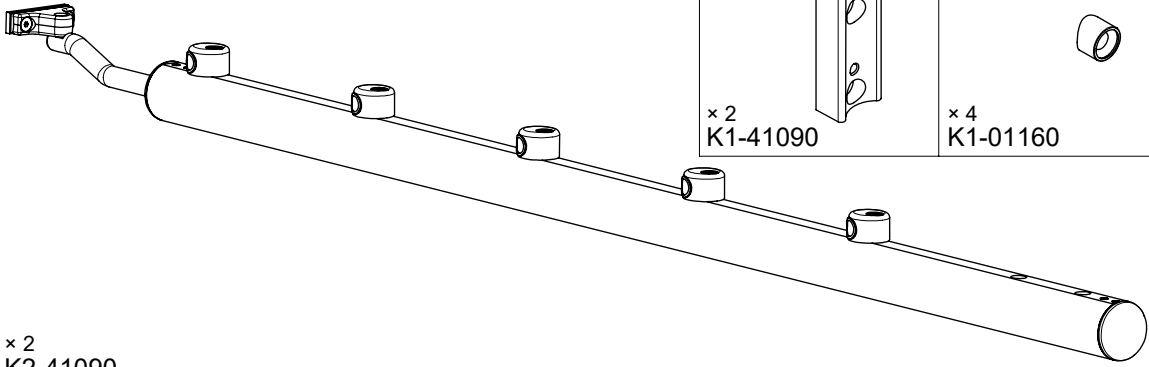



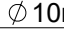


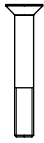
1068015		Starter-Set Start kit			
<p>1 2</p> <p>x 1 K1-41430 x 1 K1-41930</p>		<p>7 8</p> <p>x 1 K1-41911 x 1 K1-41910</p>		<p>5</p> <p>x 2 K2-41900</p>	
<p>6</p> <p>x 2 K1-41940</p>		<p>40</p> <p>x 14 K3-02045 M10x25</p>		<p>41</p> <p>x 2 K3-04110 Ø10</p>	
<p>42</p> <p>x 8 K3-04198 Ø10</p>		<p>43</p> <p>x 14 K3-03051 M10</p>		<p>44</p> <p>x 12 K3-08001 Ø12 x 60</p>	
<p>45</p> <p>x 12 K3-06070 Ø10 x 60</p>		<p>59</p> <p>x 12 K3-06269 Ø6 x 35</p>		<p>63</p> <p>x 4 K3-05022 M8 x 20</p>	
<p>64</p> <p>x 12 K3-04010 Ø10,5</p>					

1068016		Ergänzungs-Set 1 step kit			
<p>3 4</p> <p>x 1 K1-41921 x 1 K1-41920</p>		<p>40</p> <p>x 4 K3-02045 M10 x 25</p>		<p>42</p> <p>x 4 K3-04198 Ø10</p>	
		<p>43</p> <p>x 4 K3-03051 M10</p>		<p>59</p> <p>x 6 K3-06269 Ø6 x 35</p>	

1068020		Stufen-Winkel <i>Step support 1 step</i>			
 If more than 6 steps: Add 9 + 10 Wenn mehr als 6 Stufen: 9 + 10 hinzufügen Max. 6 Satz sets	9 10  x 1 K1-41060 x 1 K1-41061	40  x 2 K3-02045 M10 x 25	43  x 2 K3-03051 M10	58  x 2 K3-02386 M8 x 40	
	59  x 1 K3-06269 Ø6 x 35	61  x 2 K3-03047 M8	65  x 2 K3-04099 Ø10		

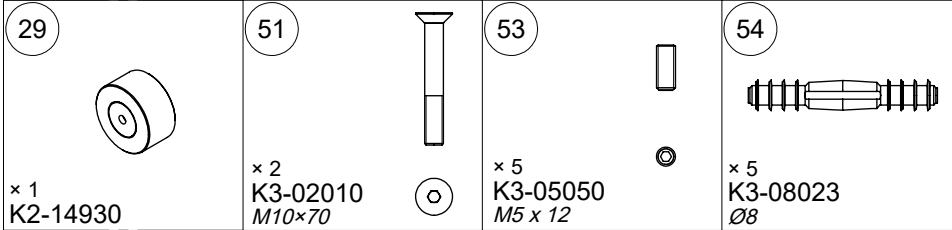
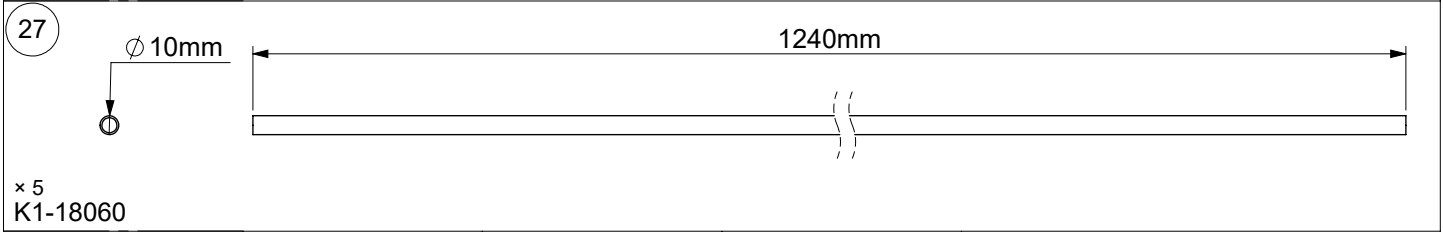
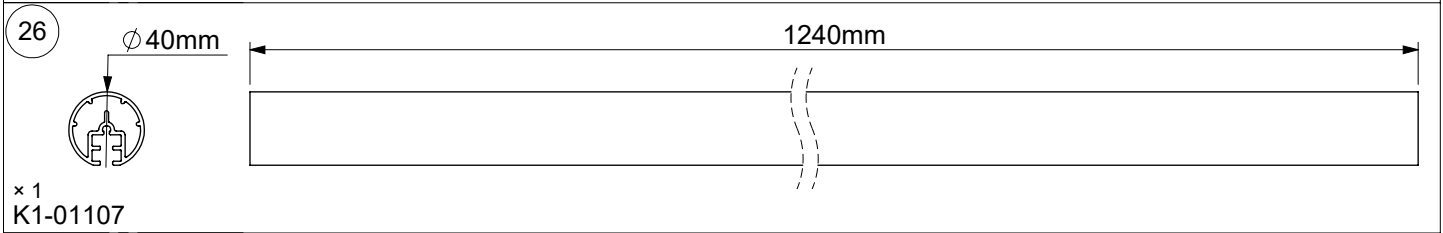
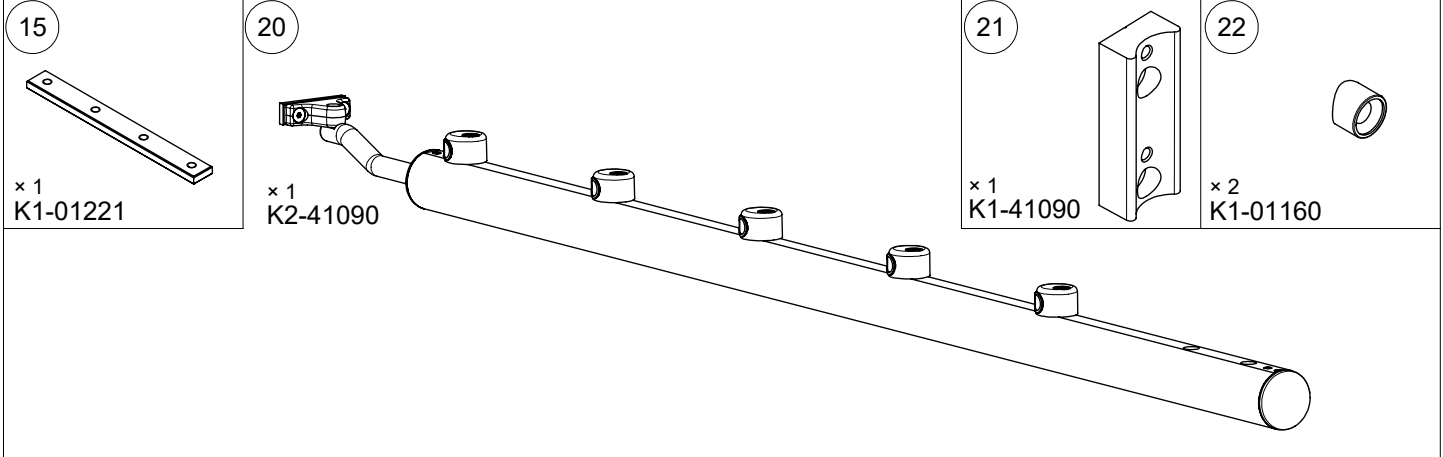
		Gitterrost-Stufe <i>Grating step</i> 80 cm / 100 cm			
11 	44  x 2	55  x 4 K3-04016 Ø6	56  x 4 K3-03046 M6		
	57  x 4 K3-02220 M6 x 20	58  x 2 K3-02386 M8 x 40	61  x 2 K3-03047 M8		

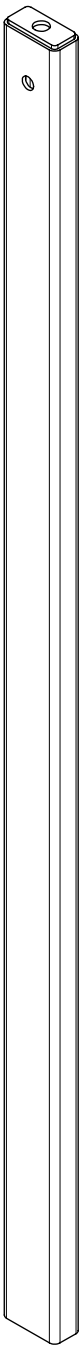
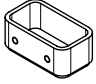
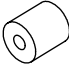






1068031		<i>Steiggeländer für 6 Stufen</i> <i>Standard banister for 6 steps</i>	
<p>14</p>  <p>× 6 K2-41052</p>	<p>15</p>  <p>× 1 K1-01221</p>	<p>16</p>  <p>× 6 K1-02130</p>	<p>17</p>  <p>× 2 K2-04040</p>
<p>18</p>  <p>× 6 K1-41056</p> <p>1010mm</p> <p>Ø 25mm</p>			
<p>19</p>  <p>× 1 K1-01100</p> <p>Ø 40mm</p> <p>2000mm</p>			
<p>46</p>  <p>× 6 K3-01034 M4 x 30</p>	<p>47</p>  <p>× 6 K3-03004 M4</p>	<p>48</p>  <p>× 12 K3-05006 M6 x 8</p>	<p>68</p>  <p>× 16 K3-05052 M5 x 16</p>

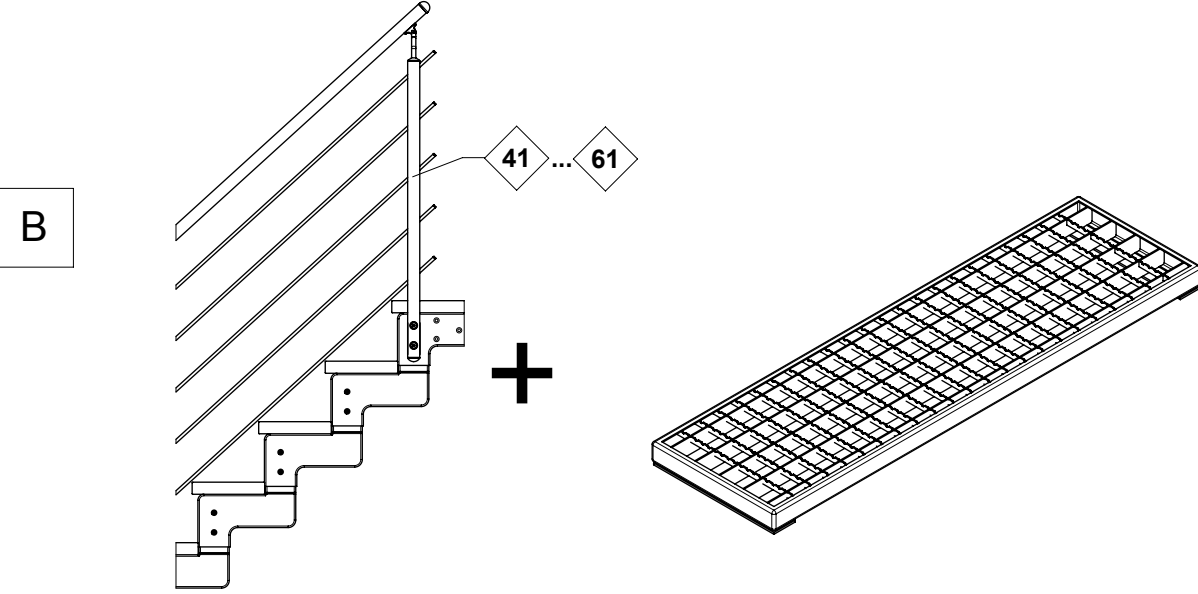
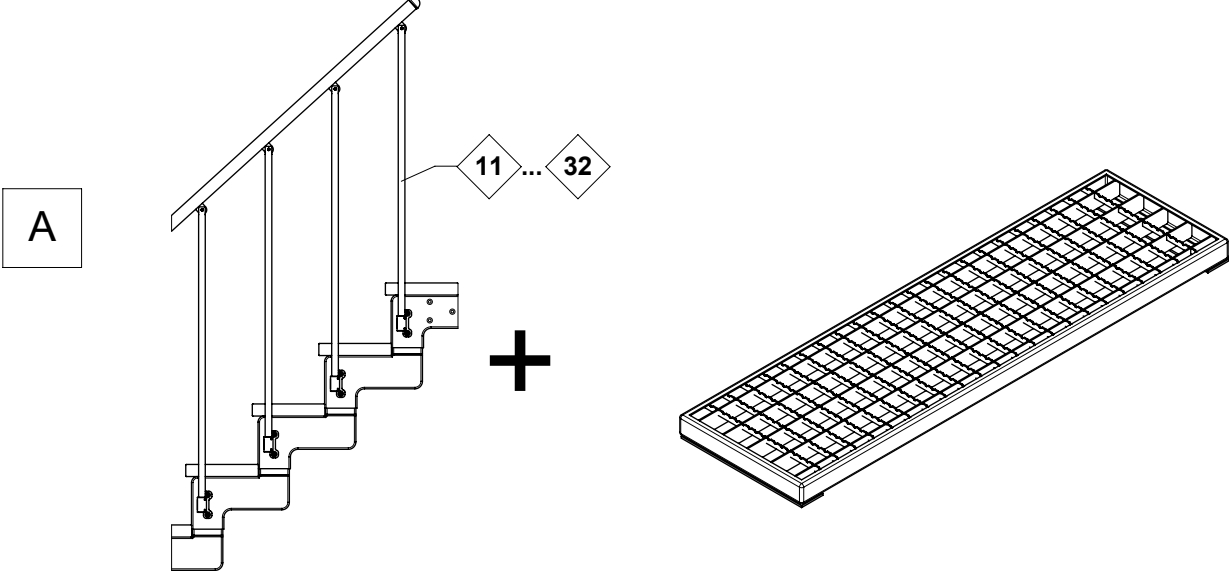
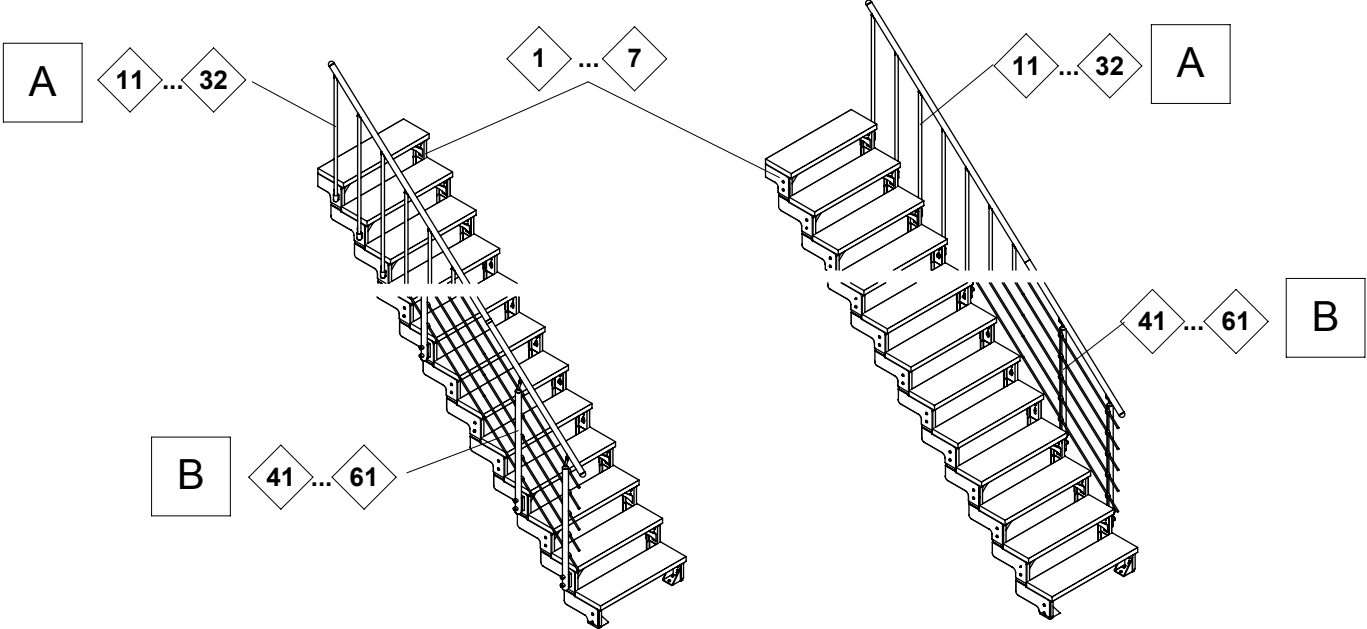
1068040		<i>Steiggeländer PROVA Starter-Set für 4 Stufen</i> <i>PROVA banister start for 4 steps</i>		
<p>17</p>  <p>× 2 K2-04040</p>	<p>20</p>  <p>× 2 K2-41090</p>		<p>21</p>  <p>× 2 K1-41090</p>	<p>22</p>  <p>× 4 K1-01160</p>
<p>26</p>  <p>× 1 K1-01107</p> <p>Ø 40mm</p> <p>1240mm</p>				
<p>27</p>  <p>× 5 K1-18060</p> <p>Ø 10mm</p> <p>1240mm</p>				
<p>28</p>  <p>× 10 K1-01010</p>	<p>29</p>  <p>× 1 K2-14930</p>	<p>51</p>  <p>× 4 K3-02010 M10 x 70</p>		

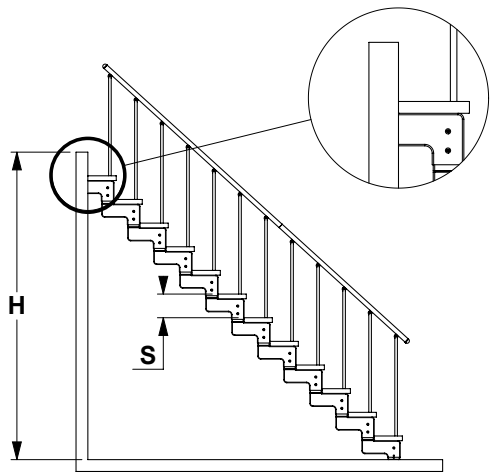
1068041

Steiggeländer PROVA Ergänzungs-Set für 4 Stufen
PROVA banister extension for 4 steps

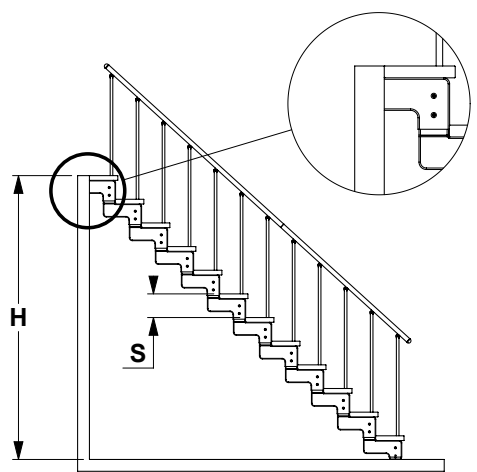
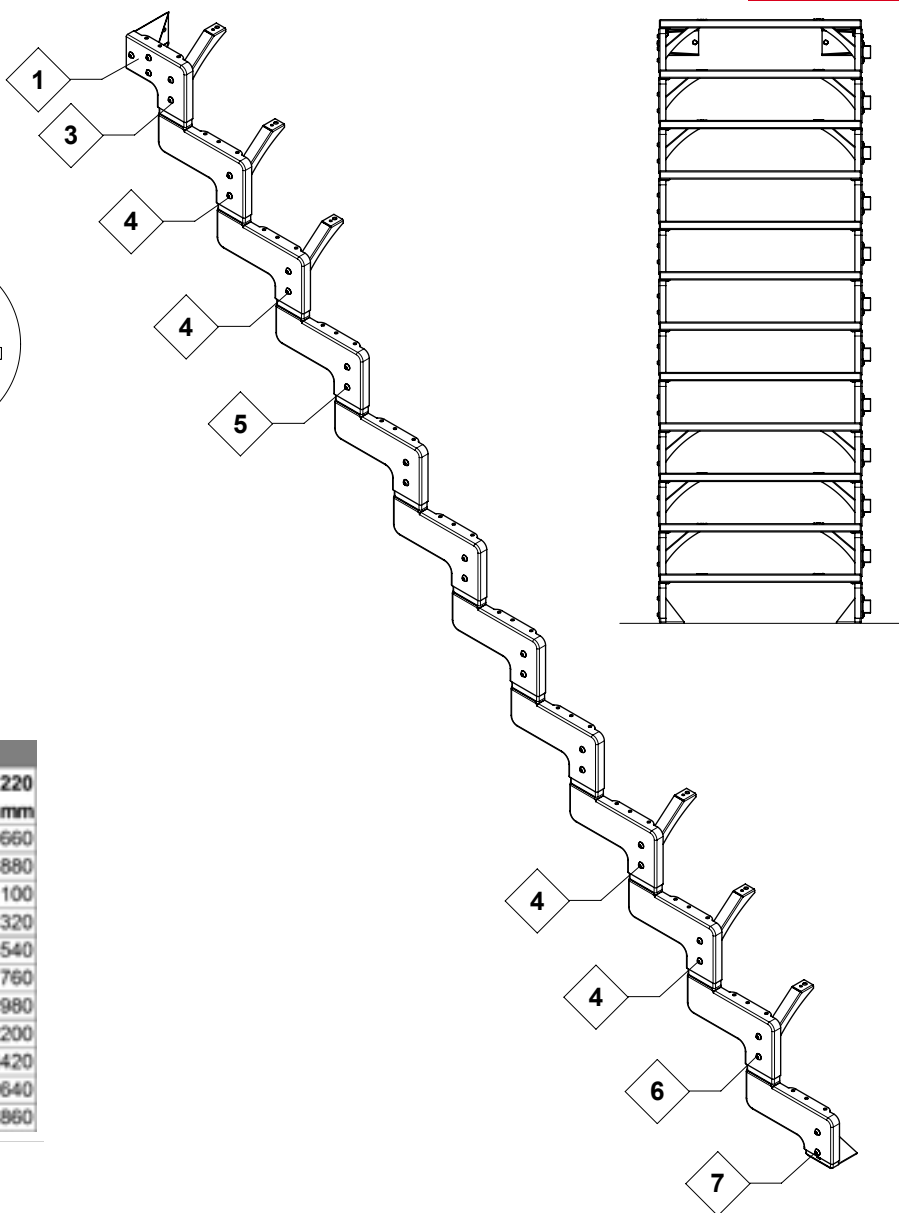


1068098		Unterstützung Support			OPTION	
<p>24</p>  <p>× 1 K1-41950</p>	<p>26</p>  <p>× 1 K1-41955</p>	<p>27</p>  <p>× 1 K1-41956</p>	<p>41</p>  <p>× 1 K3-04110 Ø10</p>	<p>43</p>  <p>× 1 K3-03051 M10</p>	<p>52</p>  <p>× 1 K3-02375 M10 x 75</p>	
	<p>53</p>  <p>× 2 K3-05007 M5 x 5</p>	<p>54</p>  <p>× 1 K3-08002 Ø8 x 40</p>	<p>55</p>  <p>× 1 K3-06032 Ø6 x 60</p>			

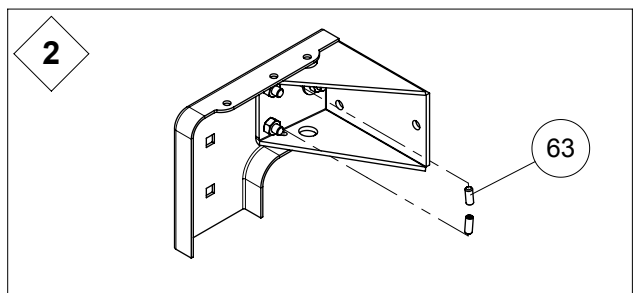
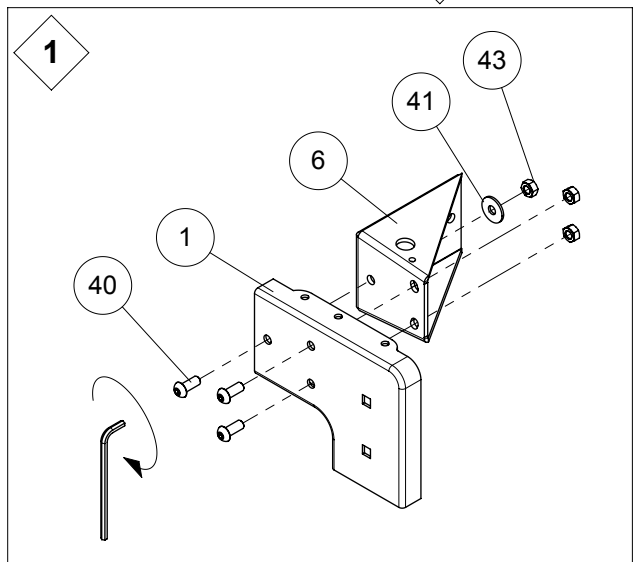


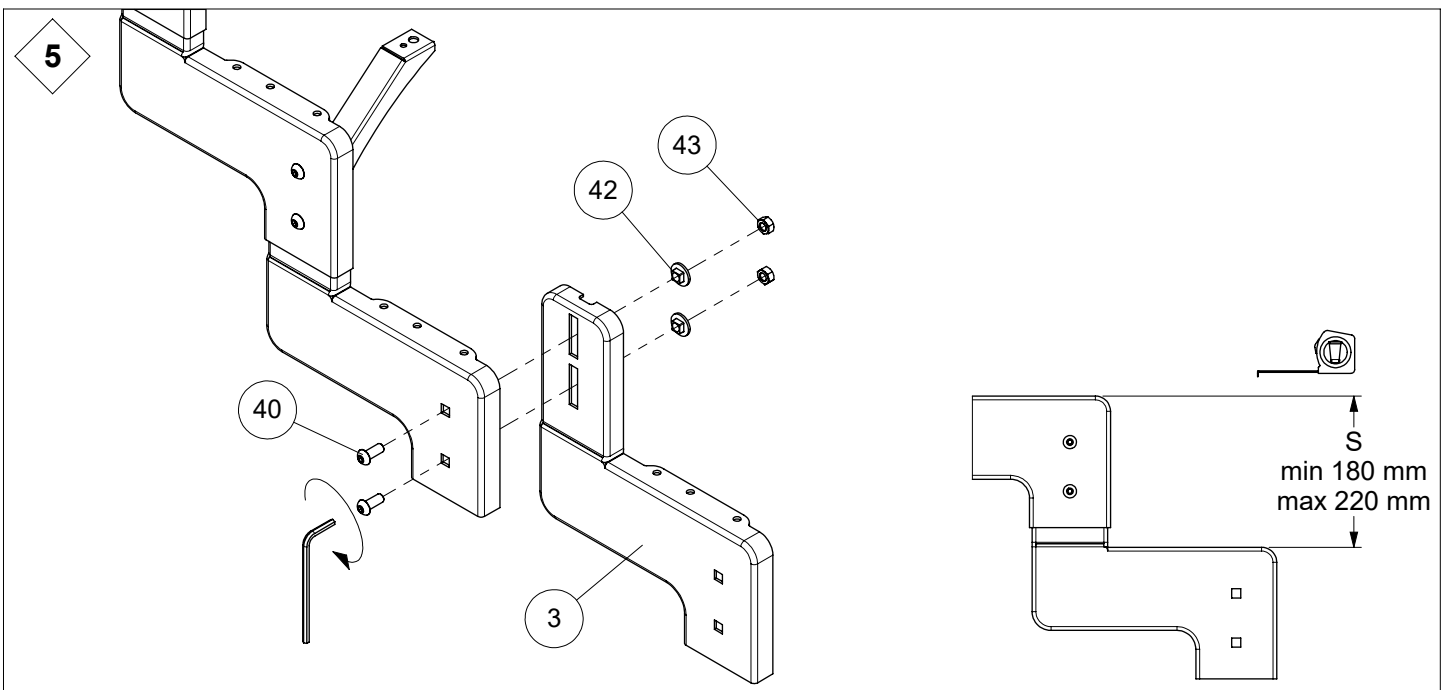
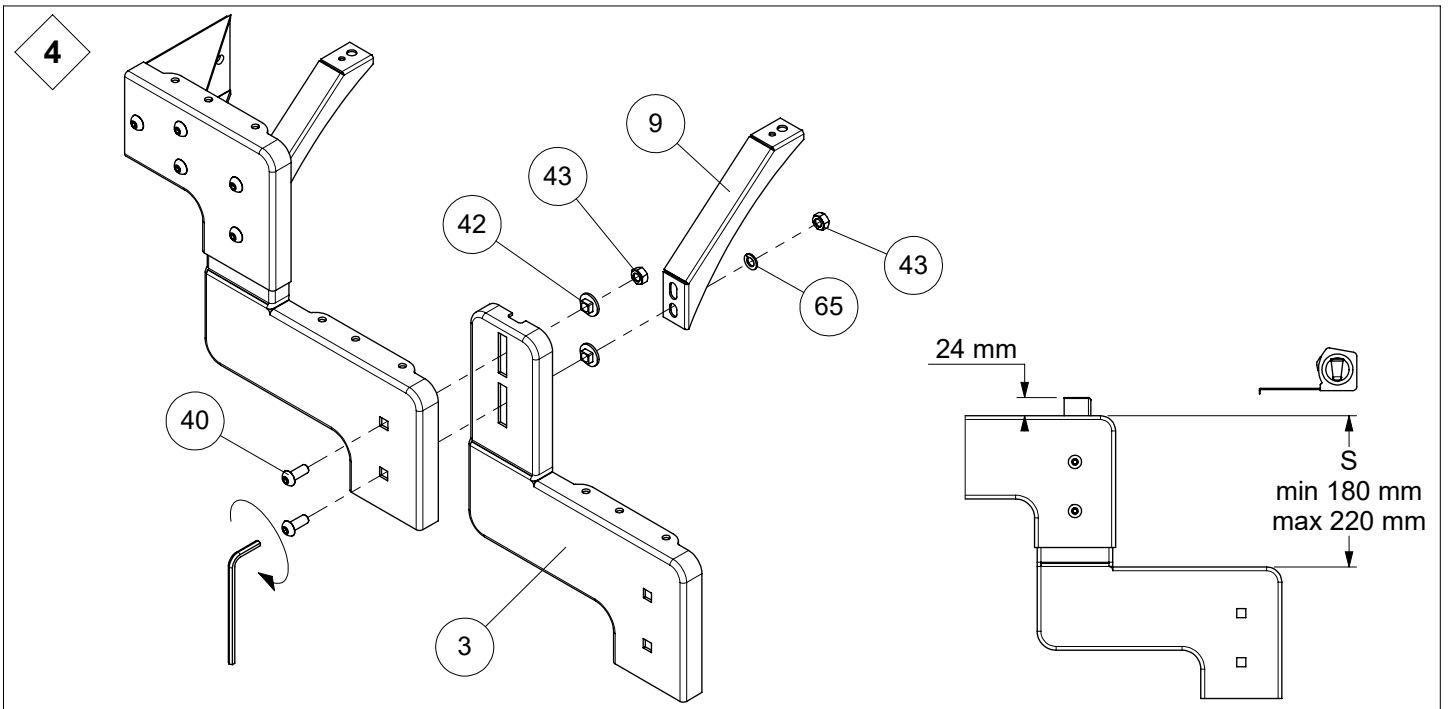
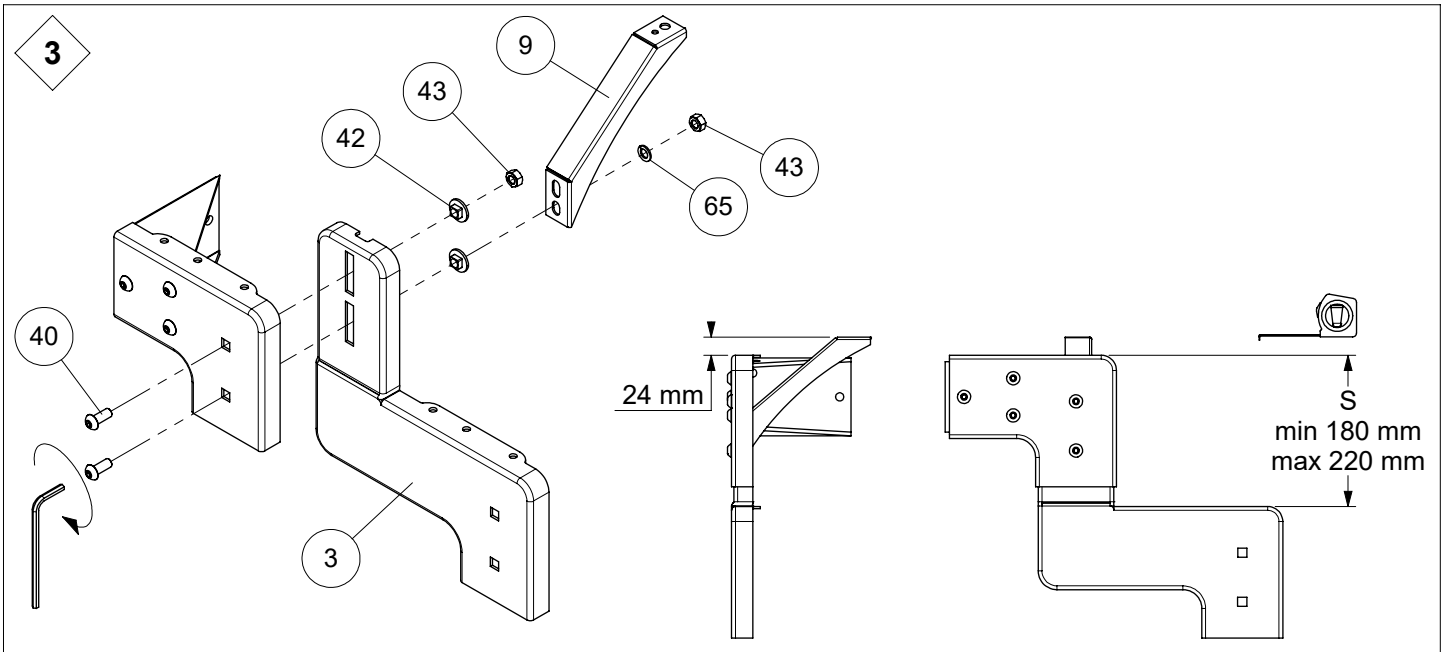


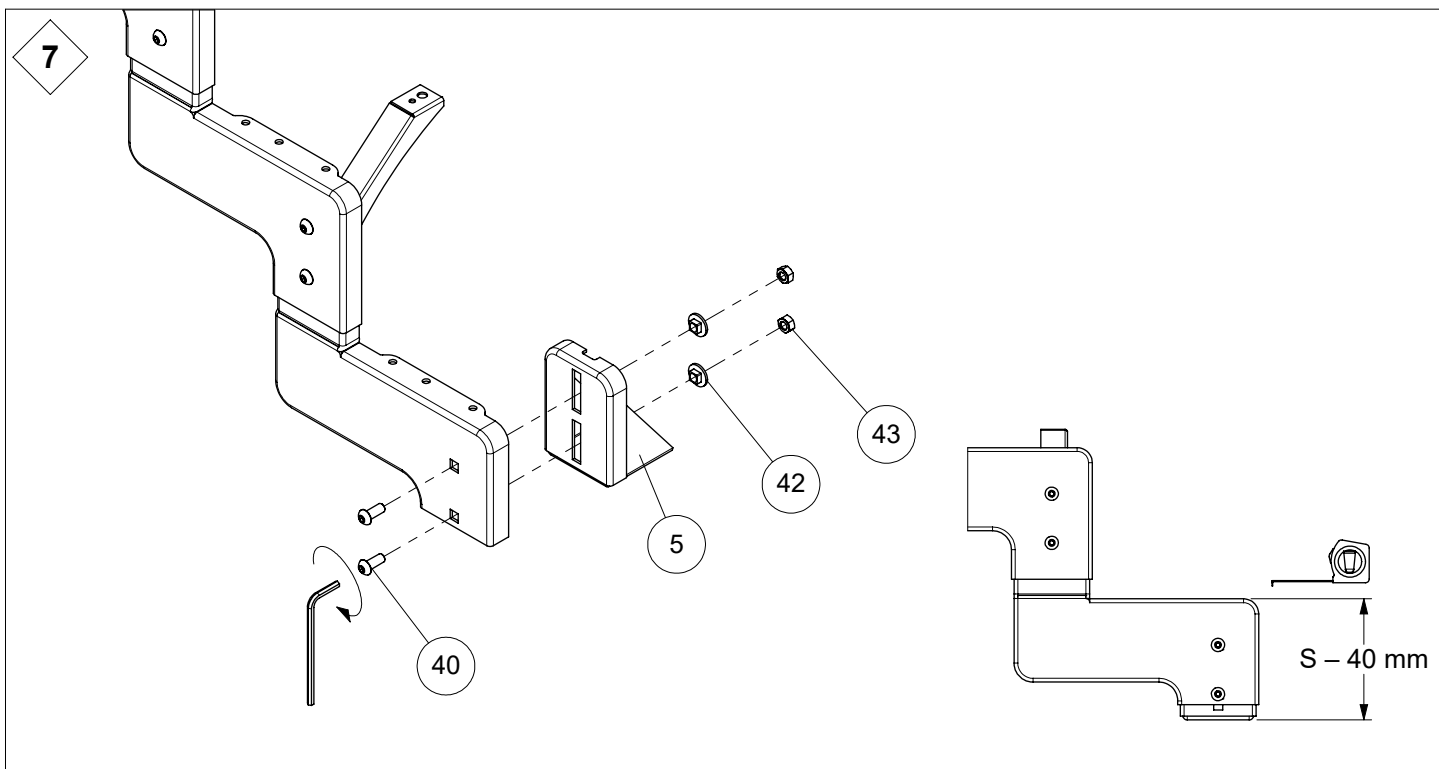
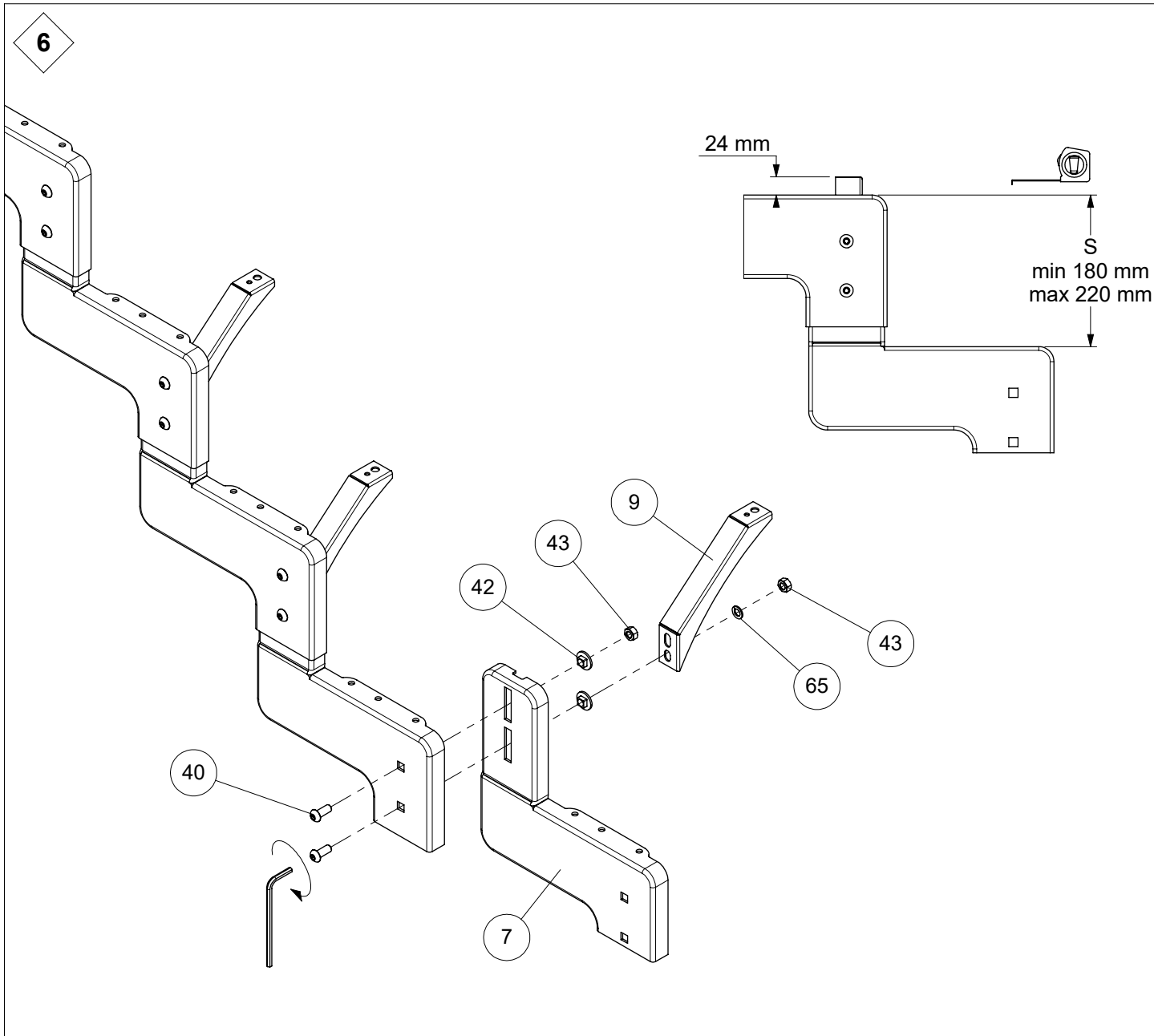
H	S				
	180	190	200	210	220
	mm	mm	mm	mm	mm
2	540	570	600	630	660
3	720	760	800	840	880
4	900	950	1000	1050	1100
5	1080	1140	1200	1260	1320
6	1260	1330	1400	1470	1540
7	1440	1520	1600	1680	1760
8	1620	1710	1800	1890	1980
9	1800	1900	2000	2100	2200
10	1980	2090	2200	2310	2420
11	2160	2280	2400	2520	2640
12	2340	2470	2600	2730	2860

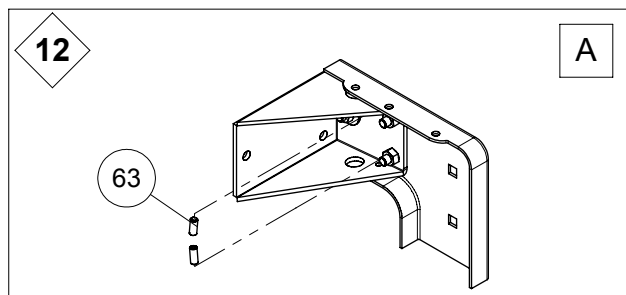
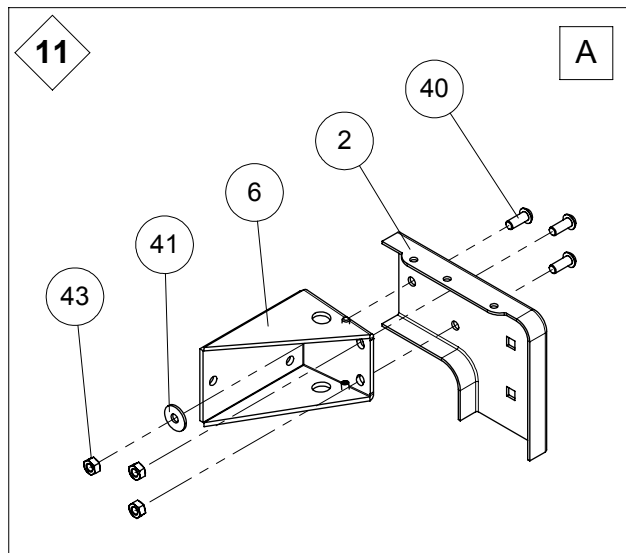
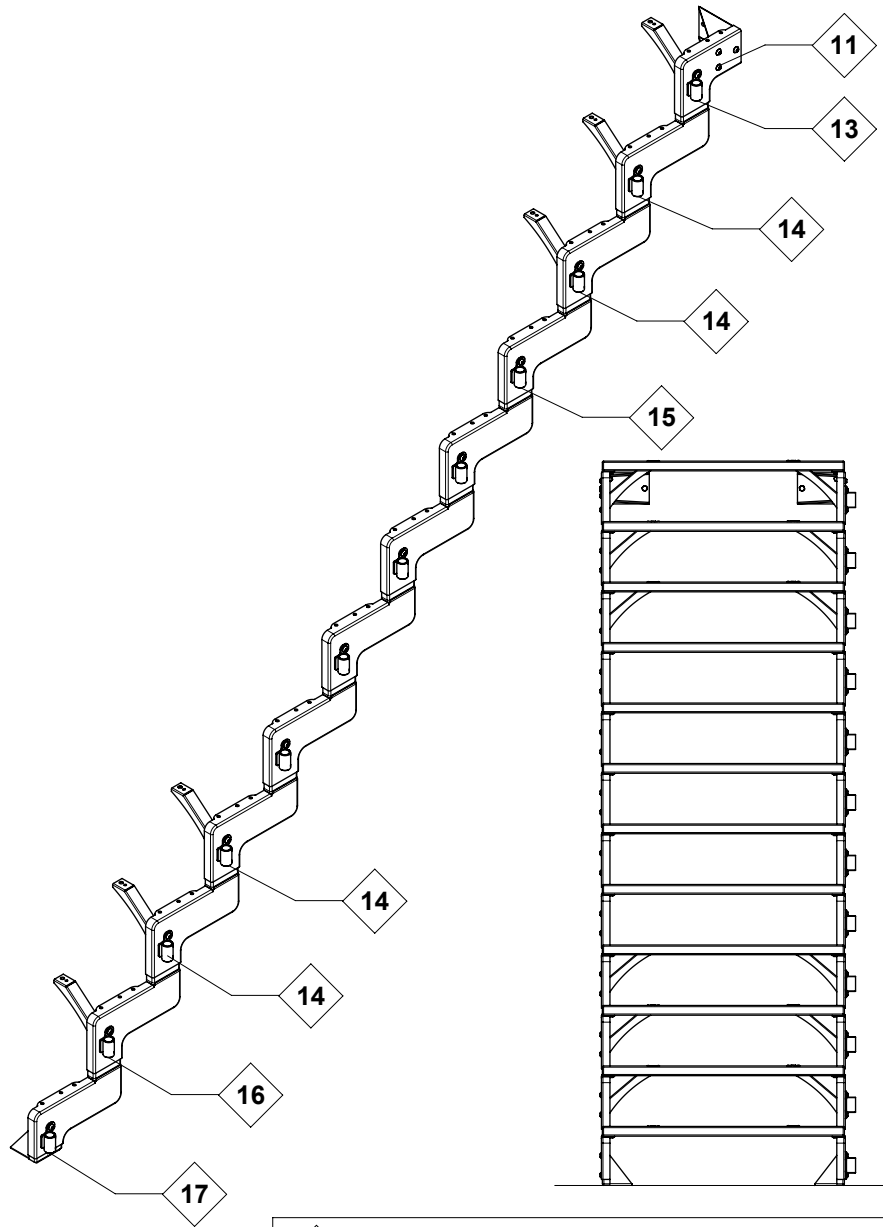


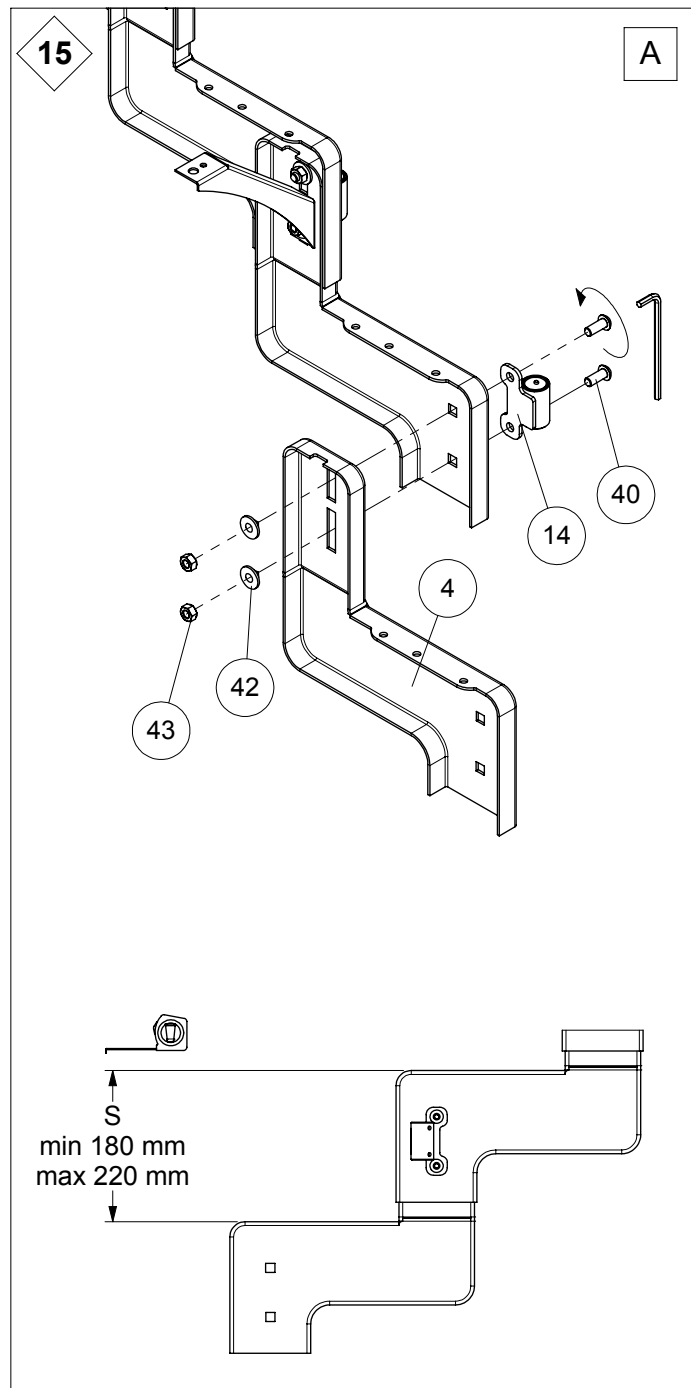
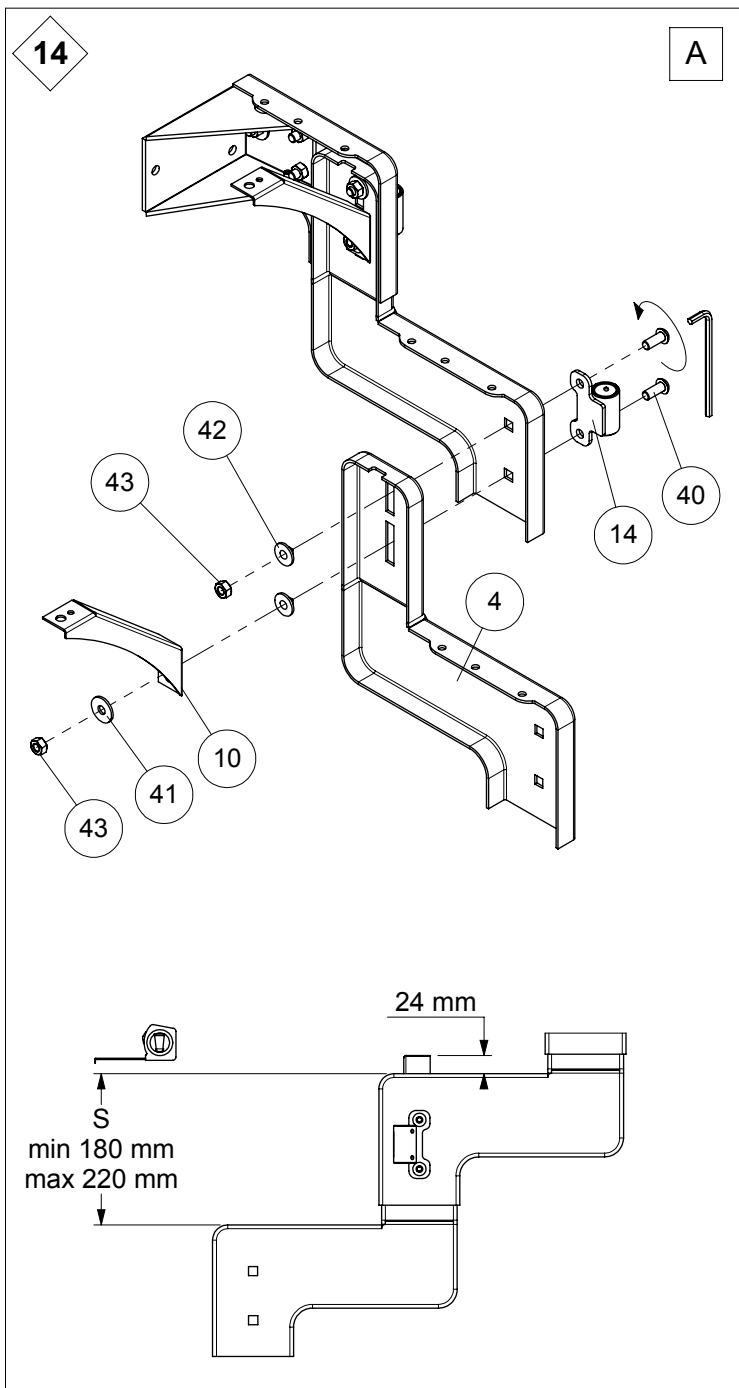
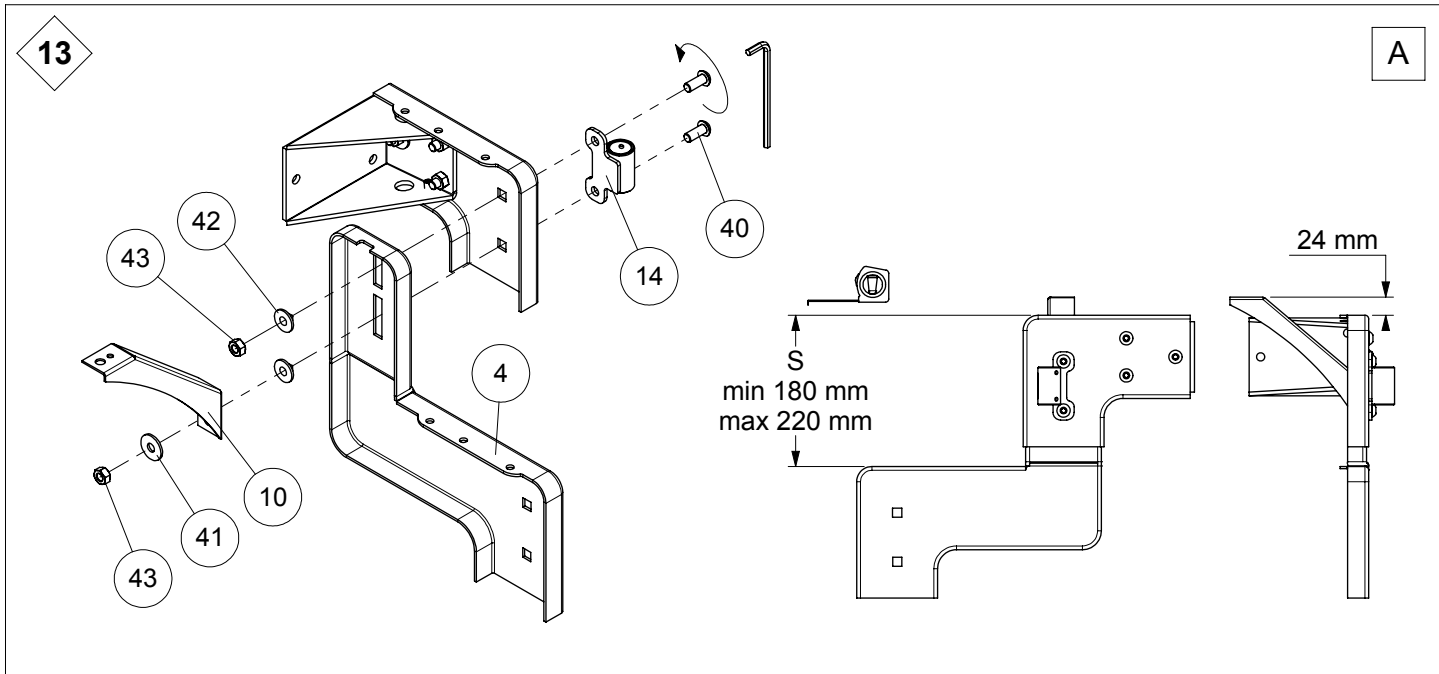
H	S				
	180	190	200	210	220
	mm	mm	mm	mm	mm
2	360	380	400	420	440
3	540	570	600	630	660
4	720	760	800	840	880
5	900	950	1000	1050	1100
6	1080	1140	1200	1260	1320
7	1260	1330	1400	1470	1540
8	1440	1520	1600	1680	1760
9	1620	1710	1800	1890	1980
10	1800	1900	2000	2100	2200
11	1980	2090	2200	2310	2420
12	2160	2280	2400	2520	2640

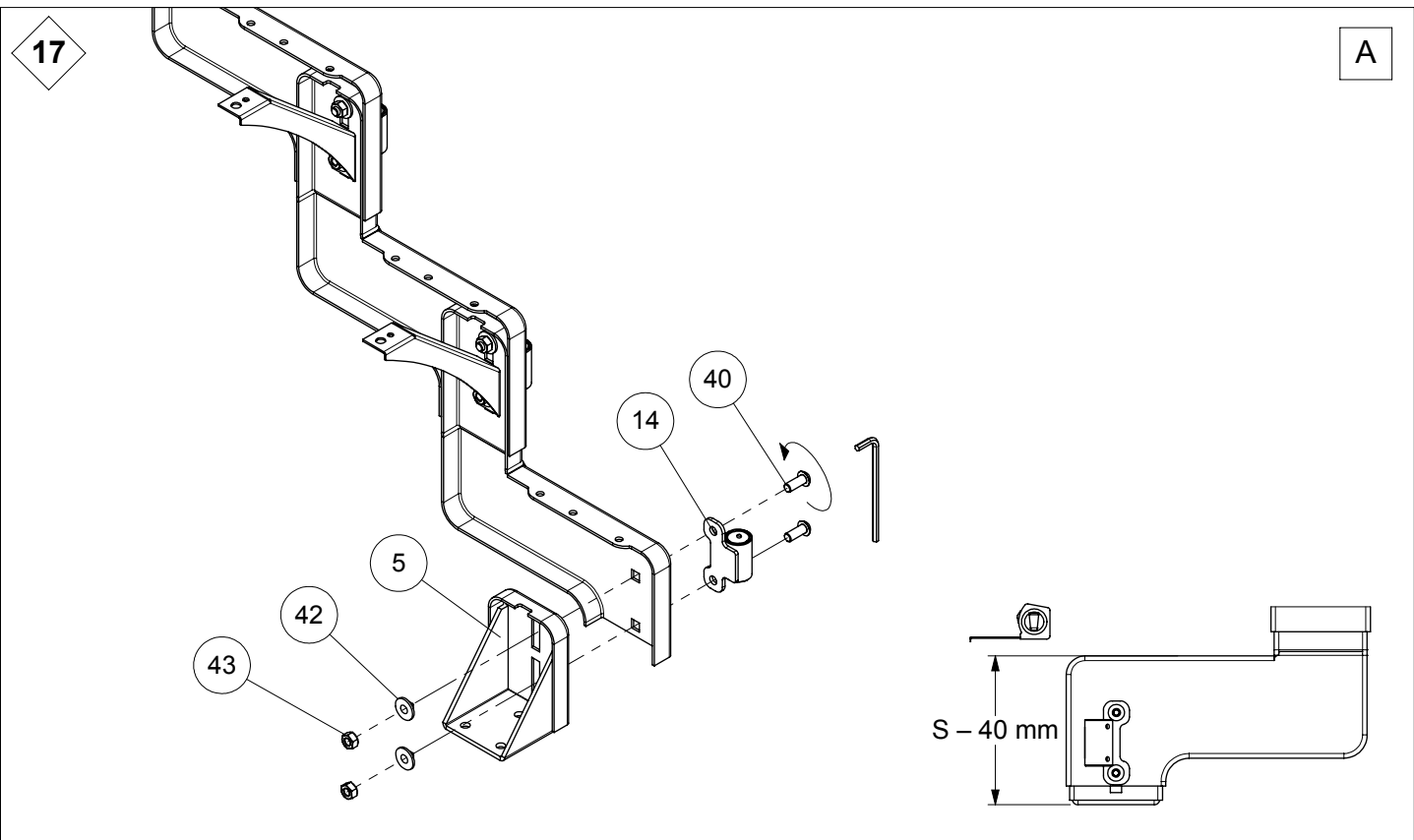
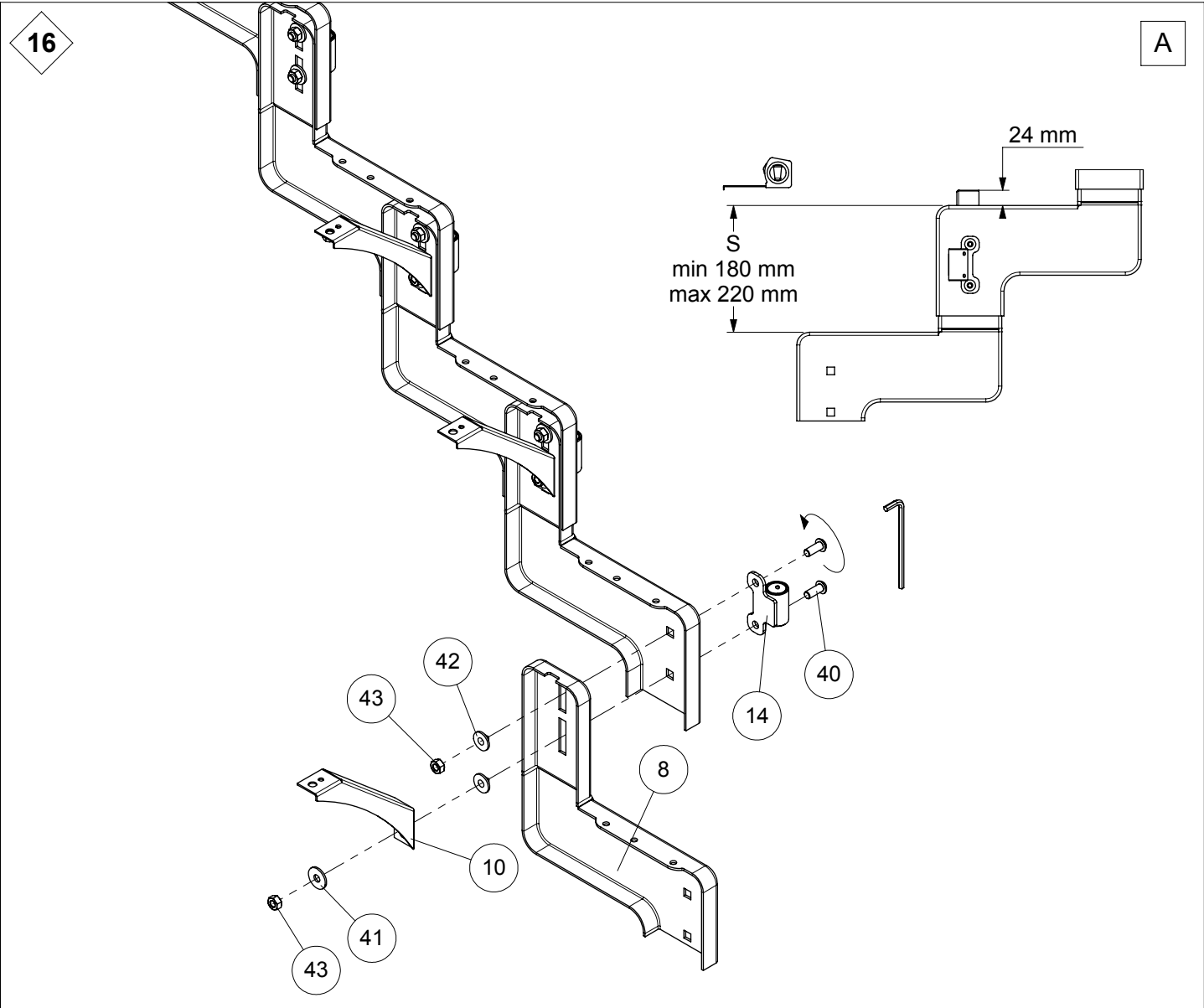


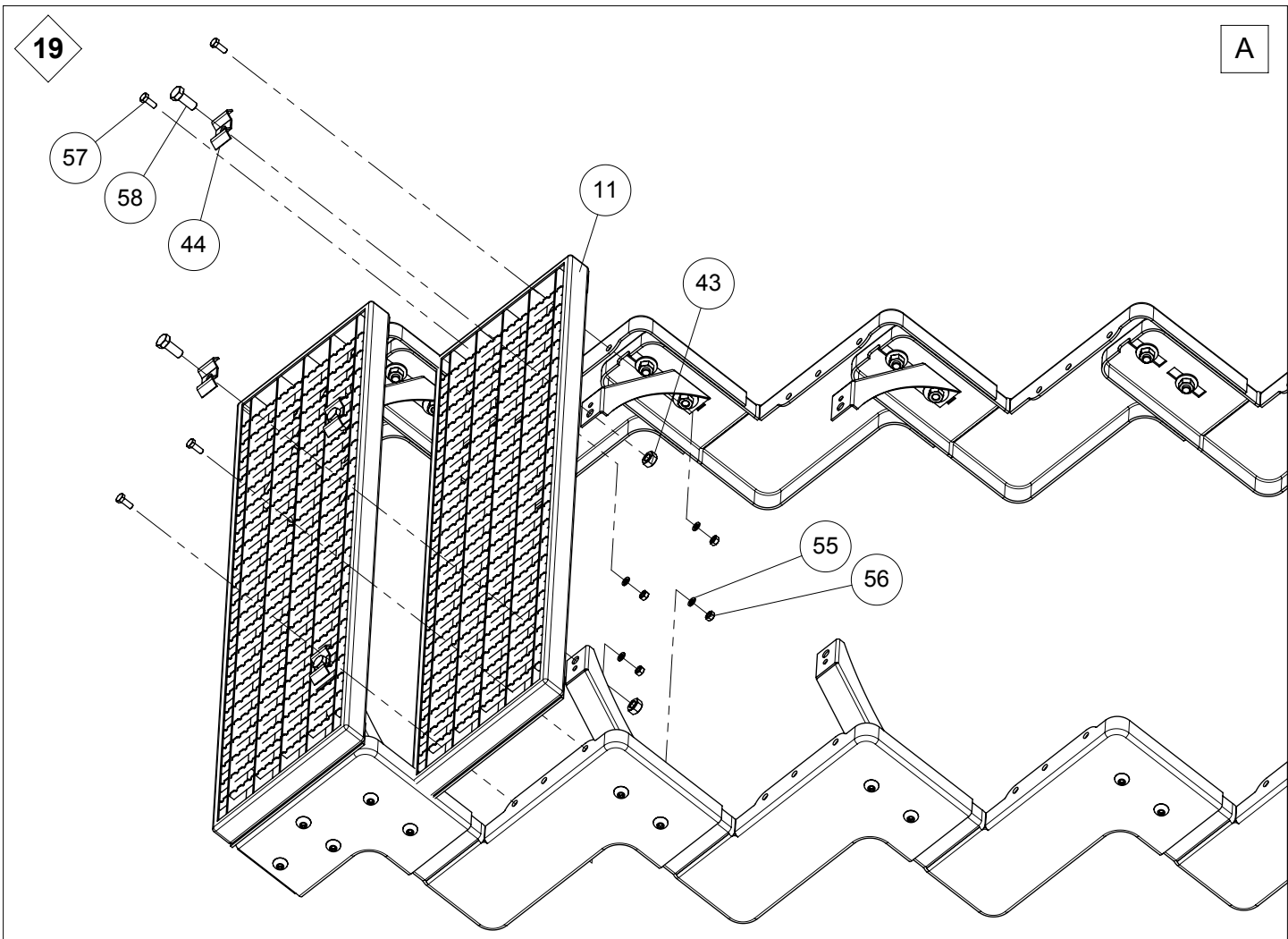
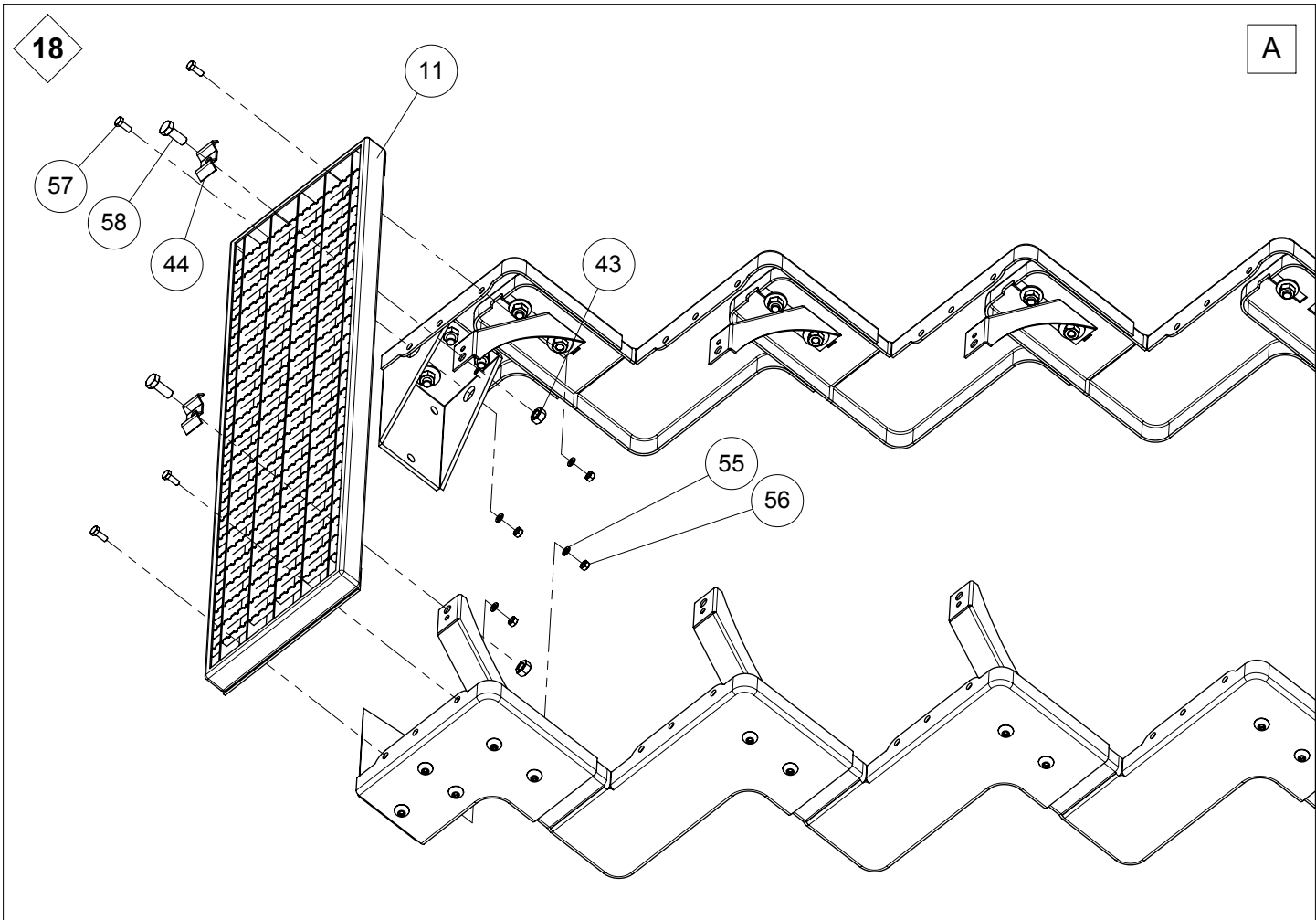






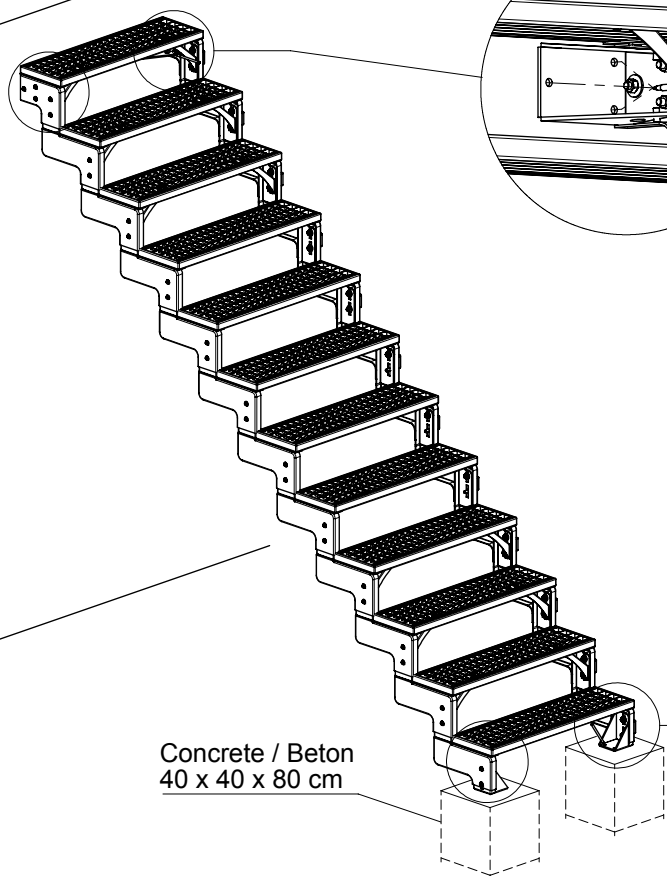




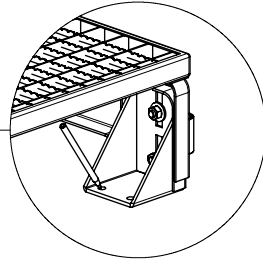
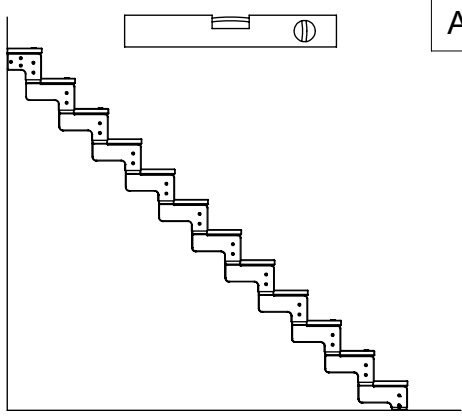


20

A

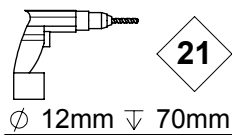


Concrete / Beton
40 x 40 x 80 cm

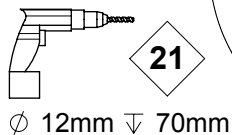
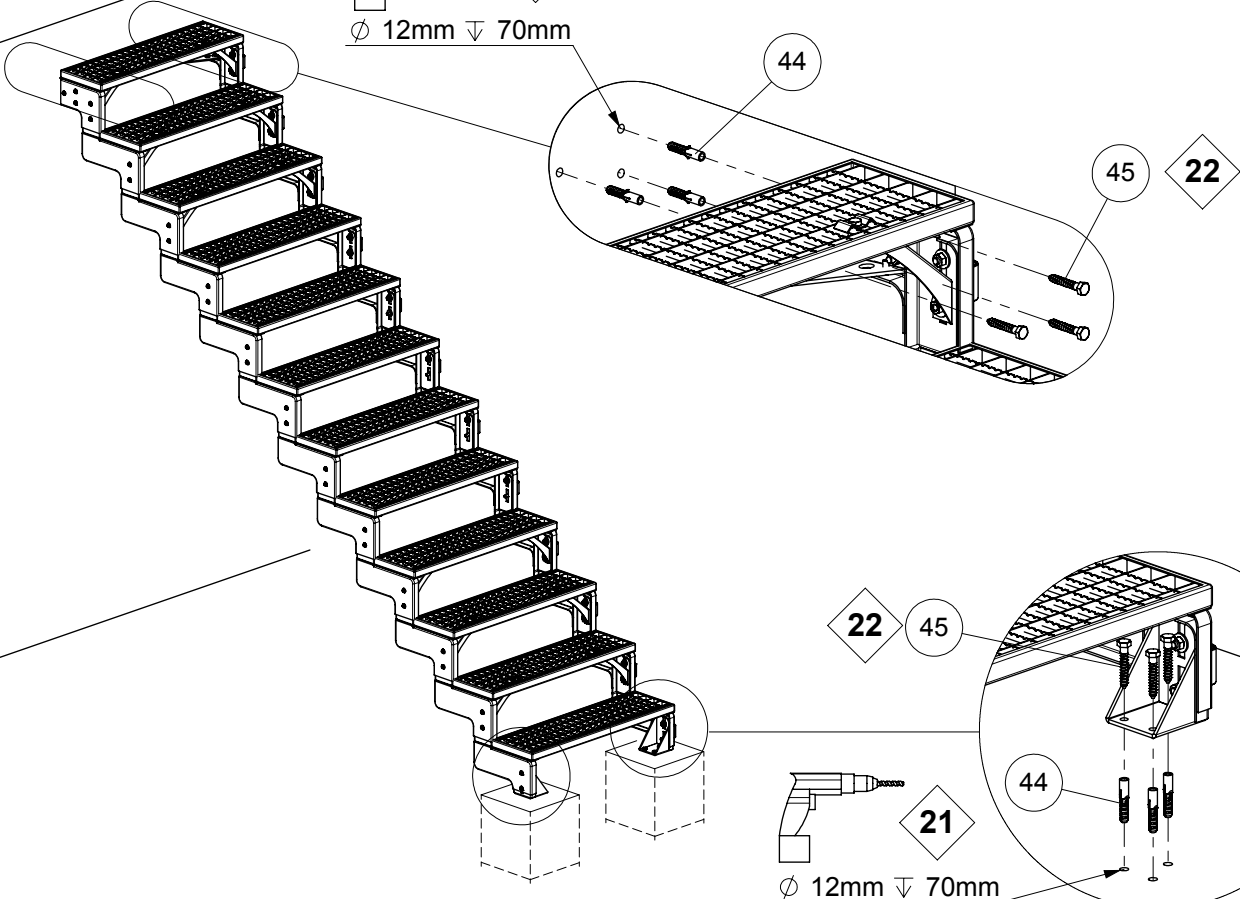


21 22

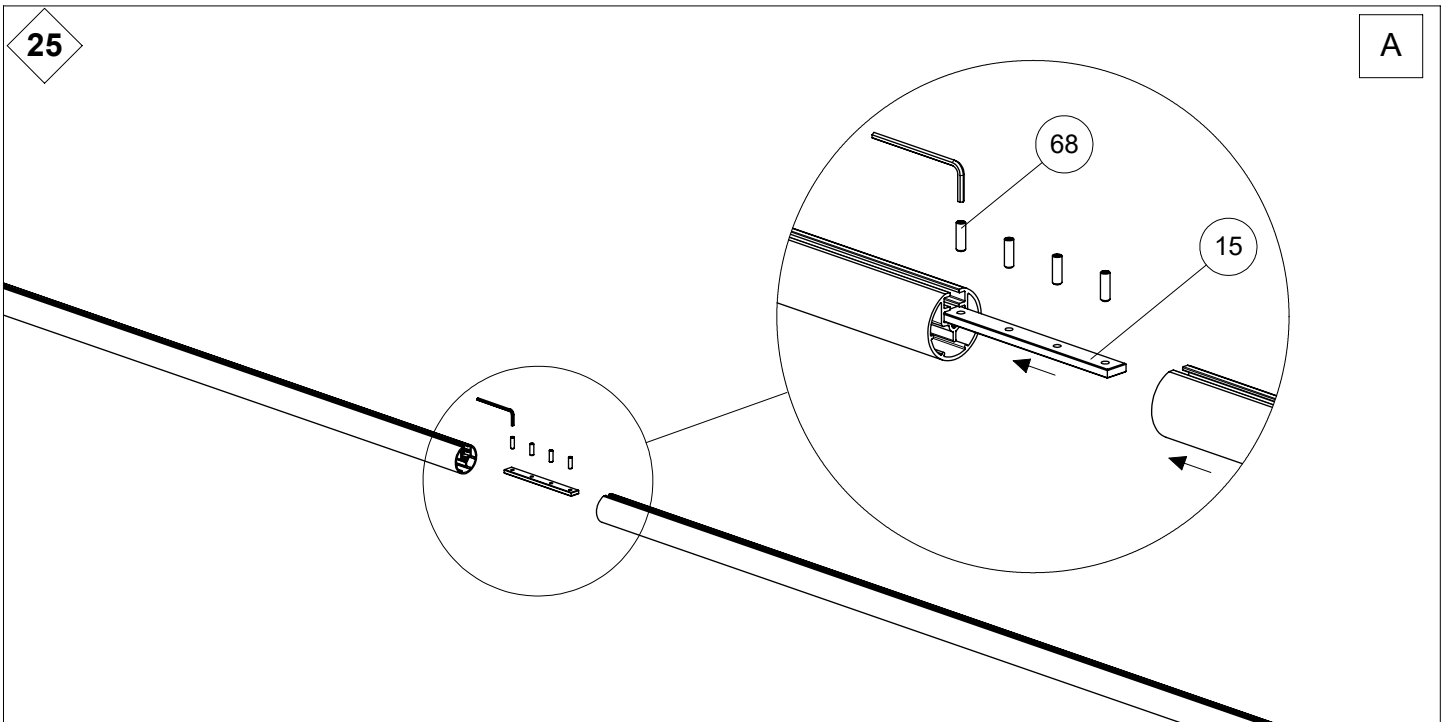
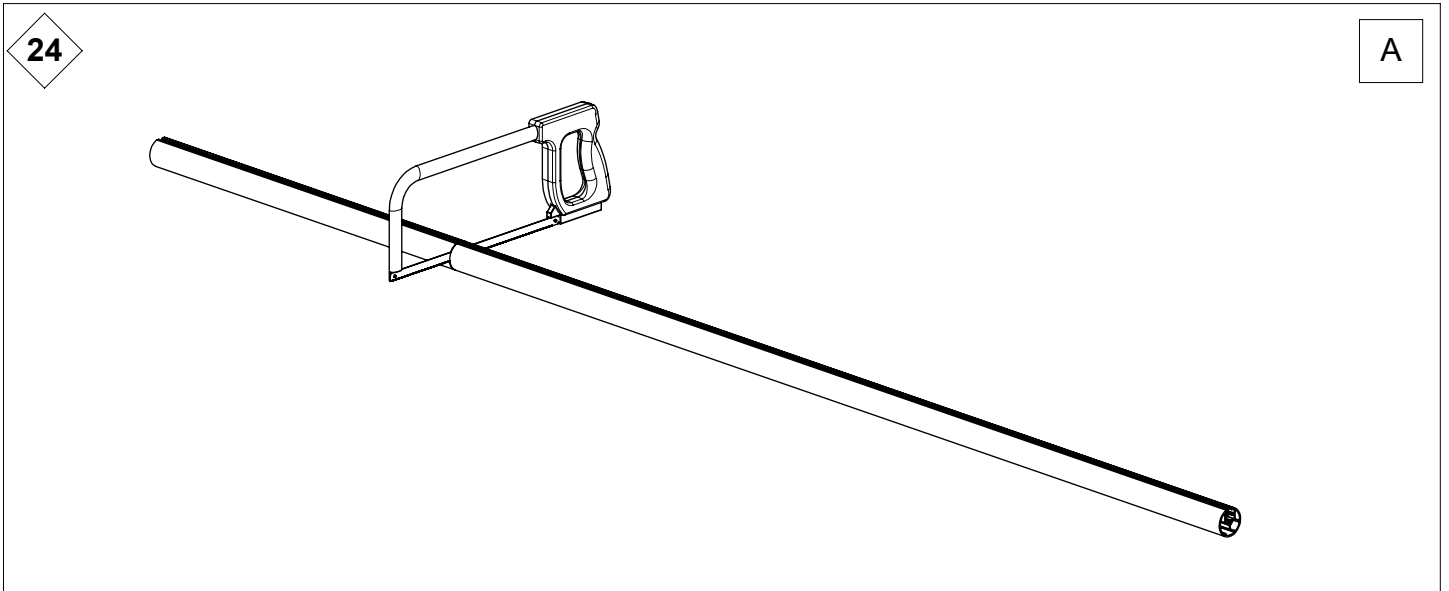
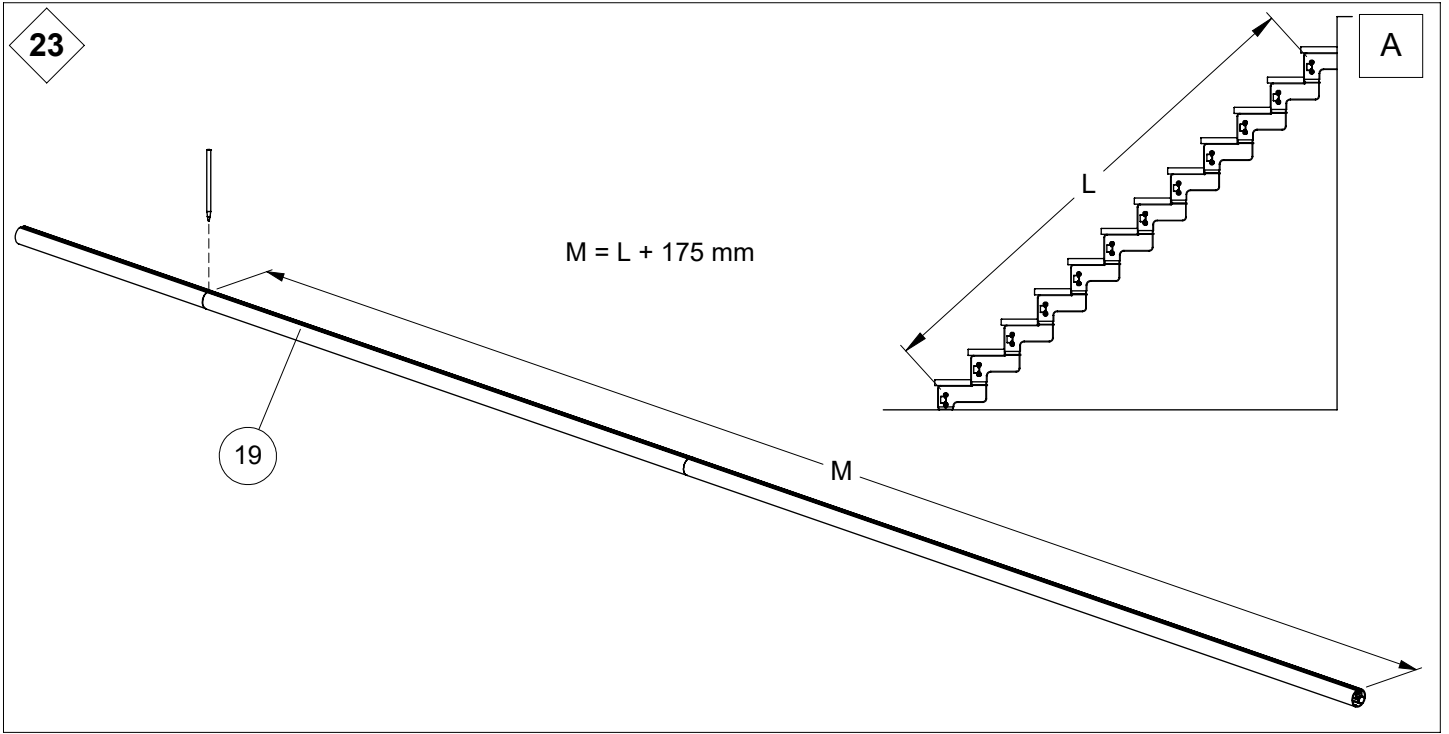
A

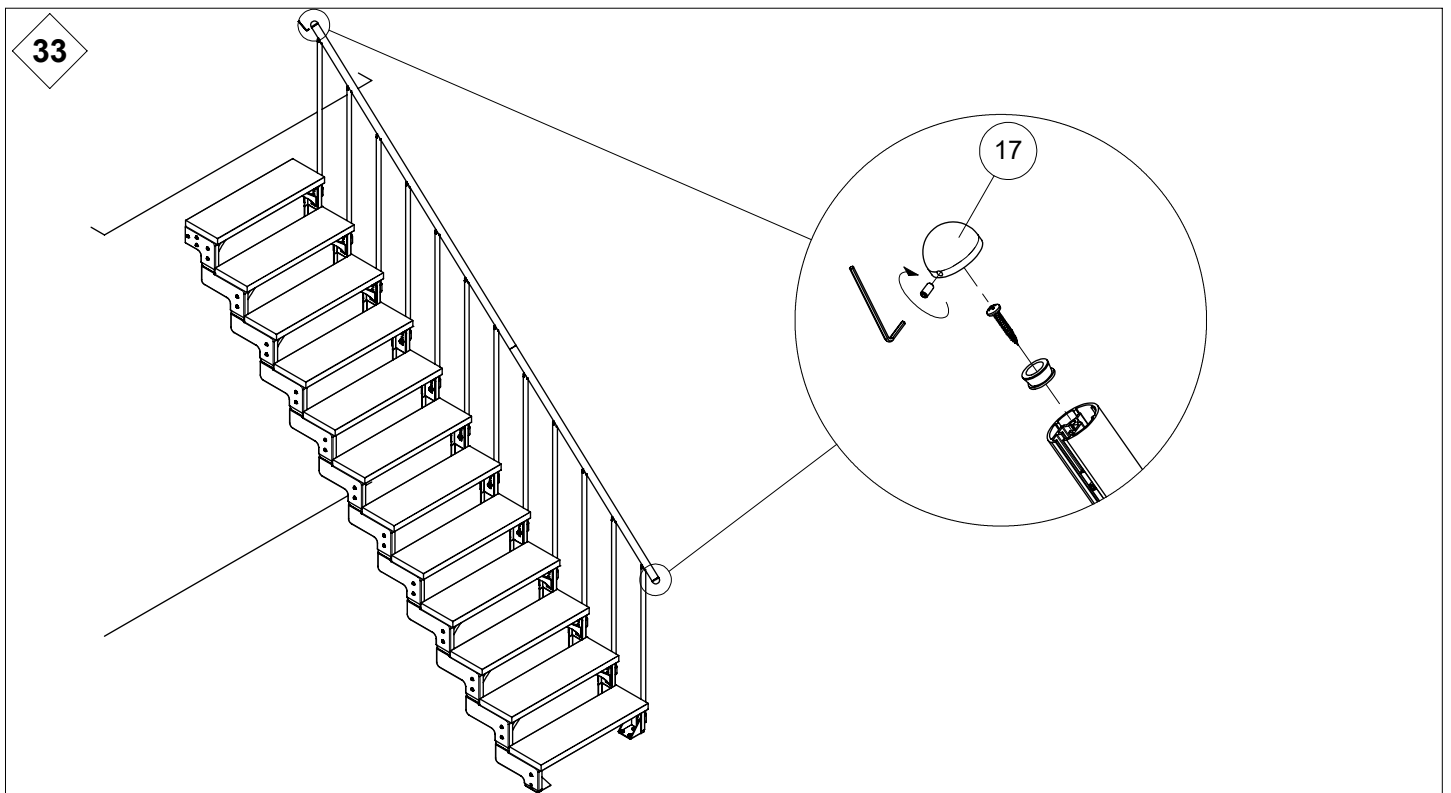
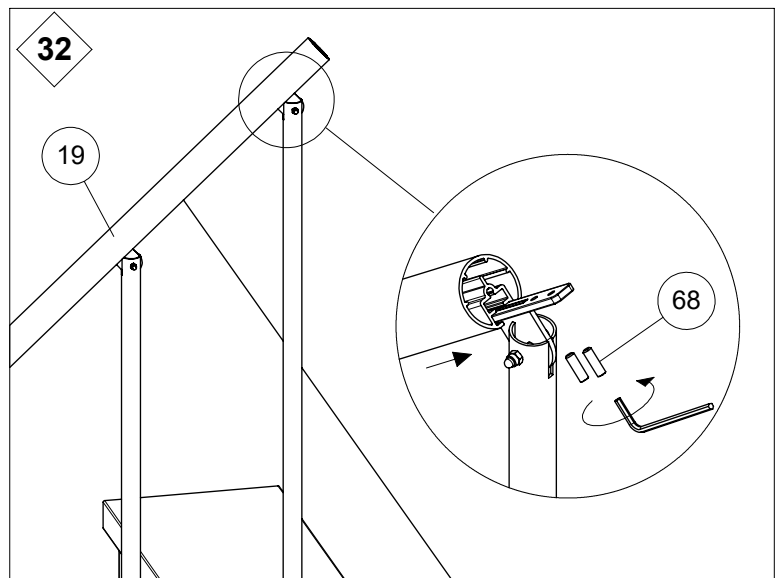
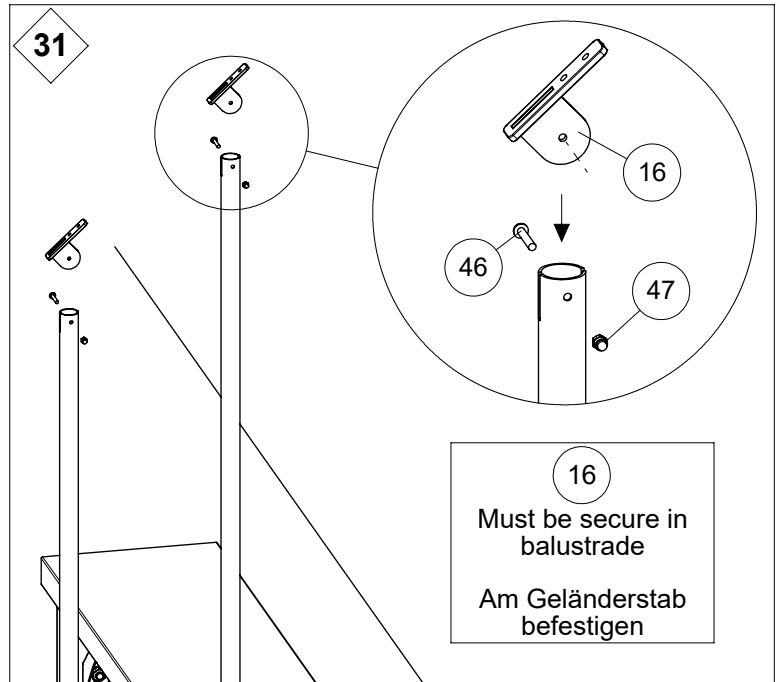
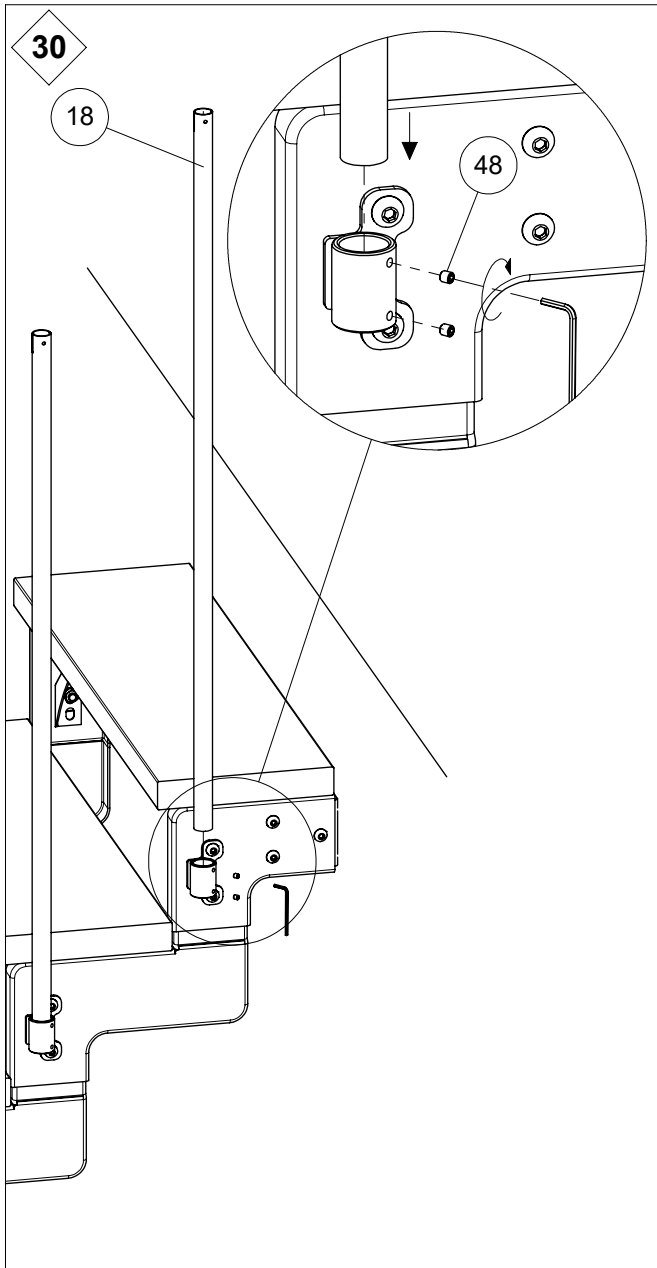


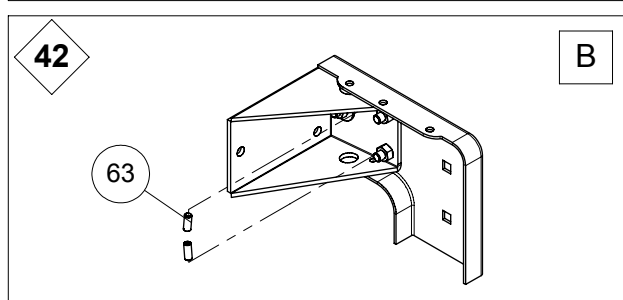
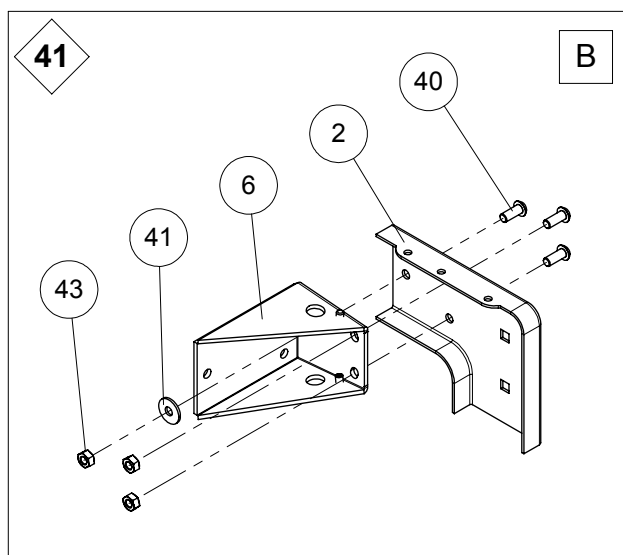
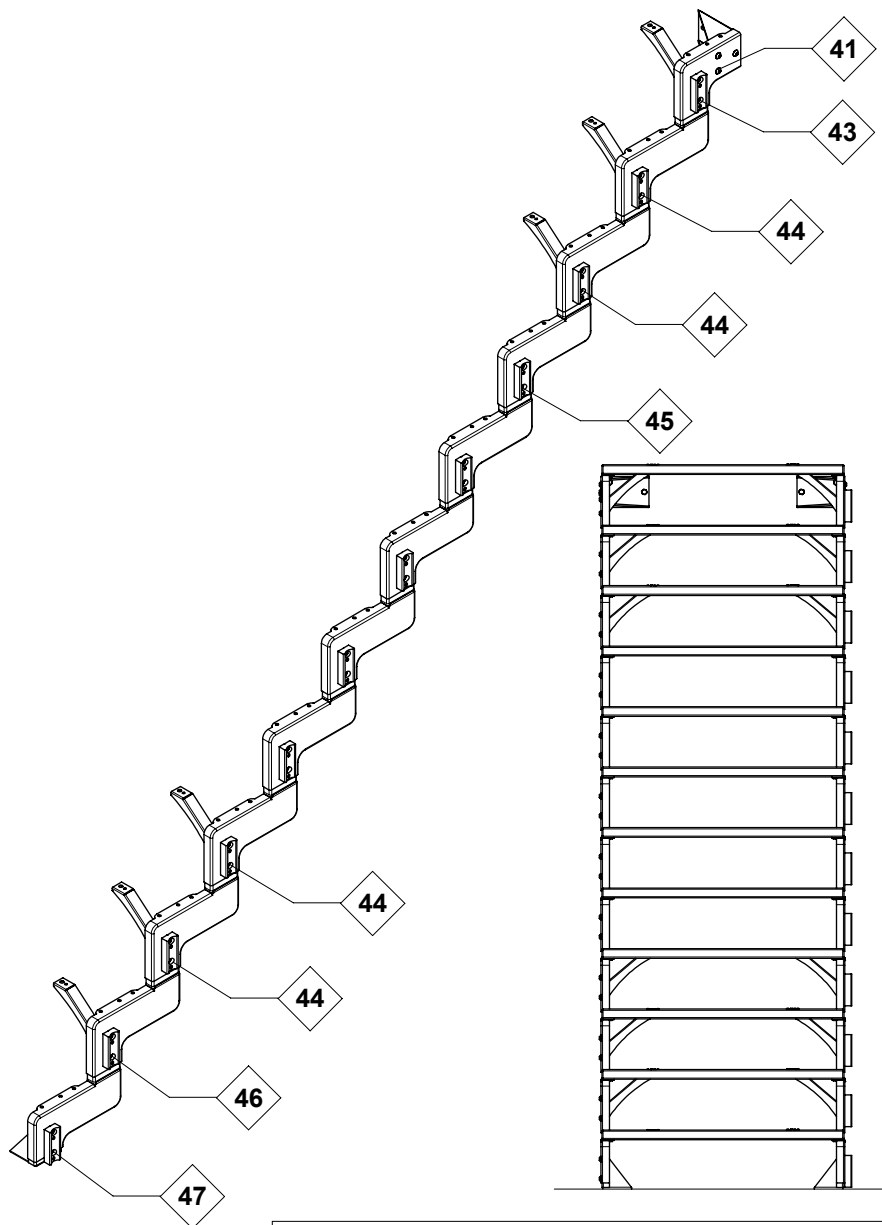
Ø 12mm ▽ 70mm

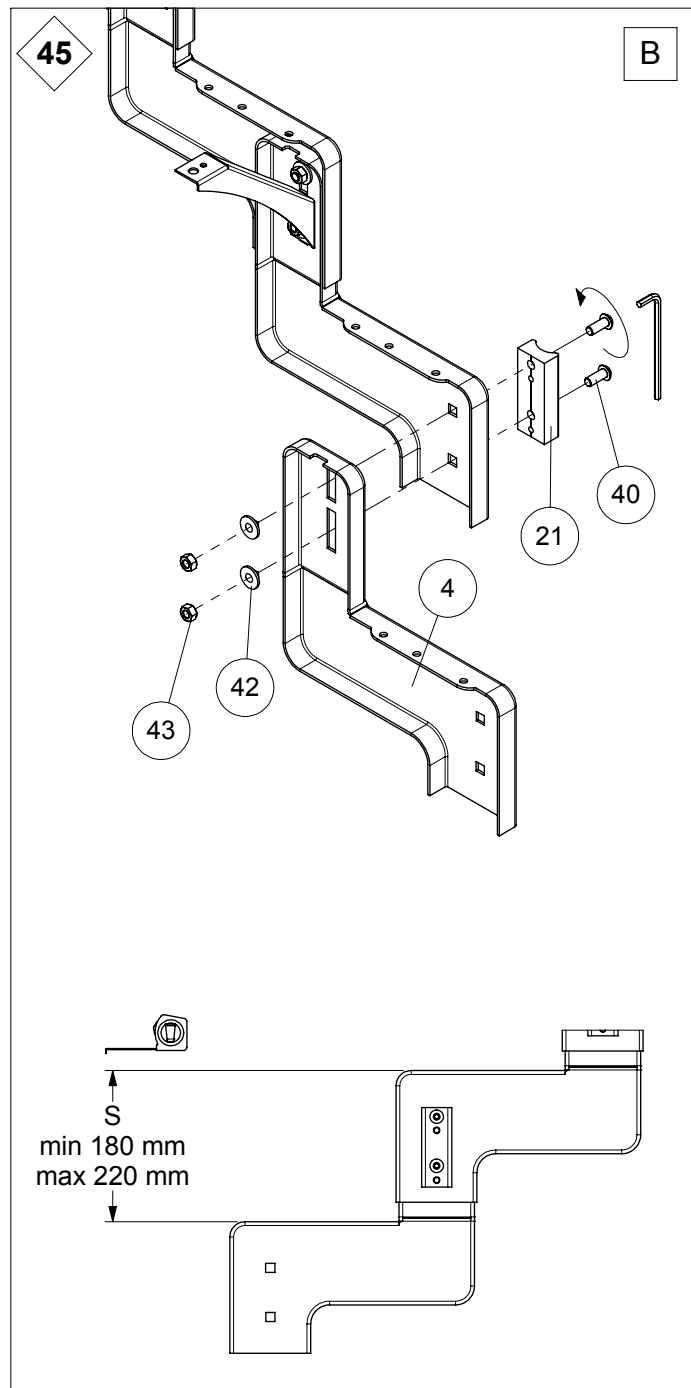
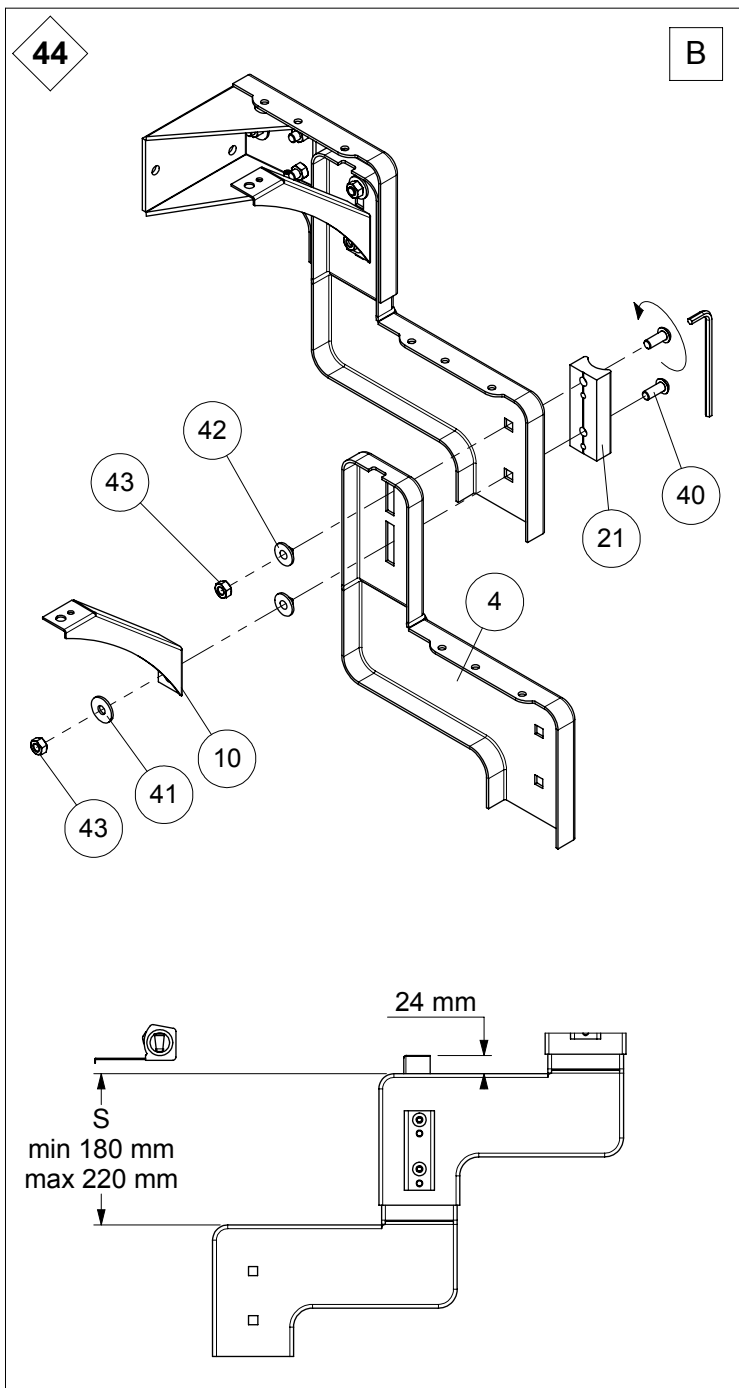
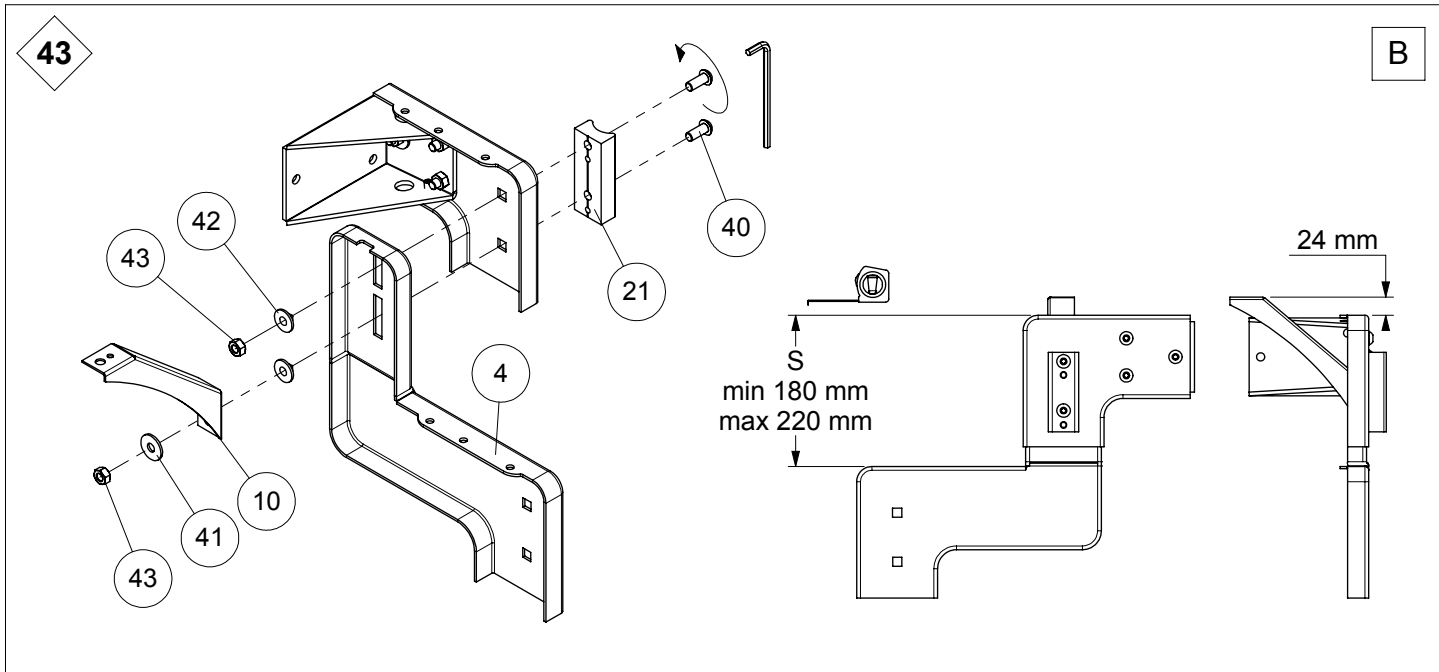


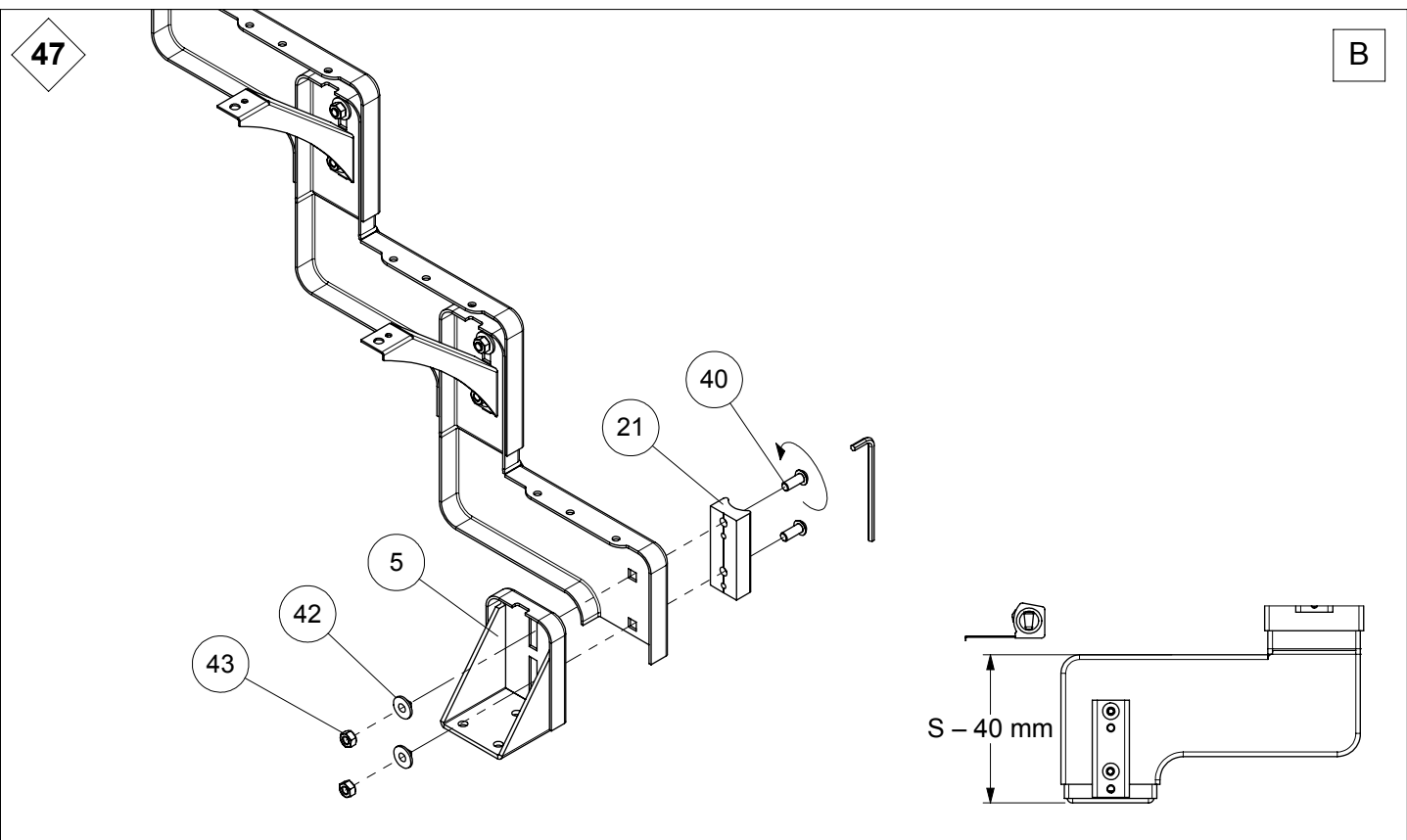
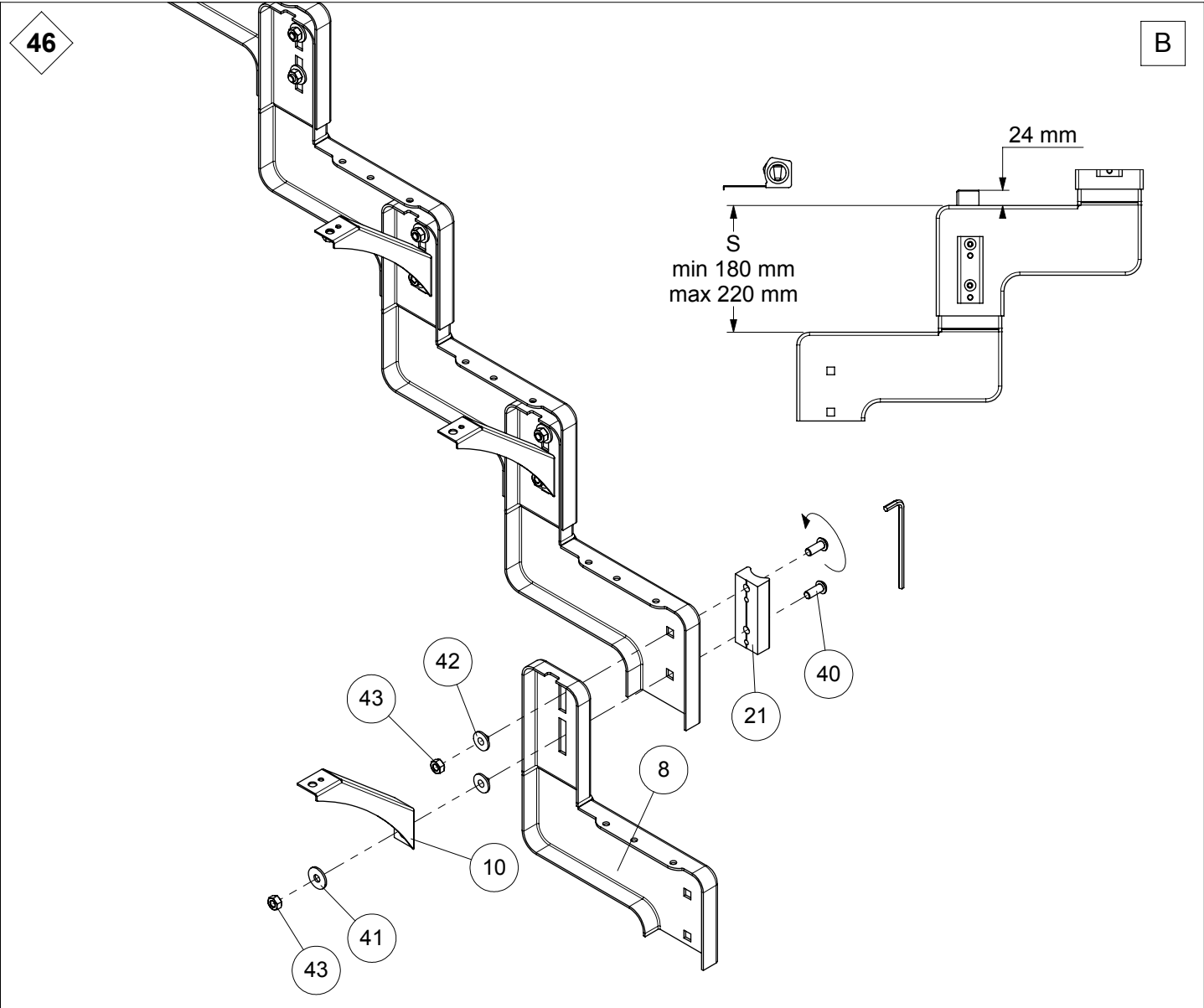
Ø 12mm ▽ 70mm

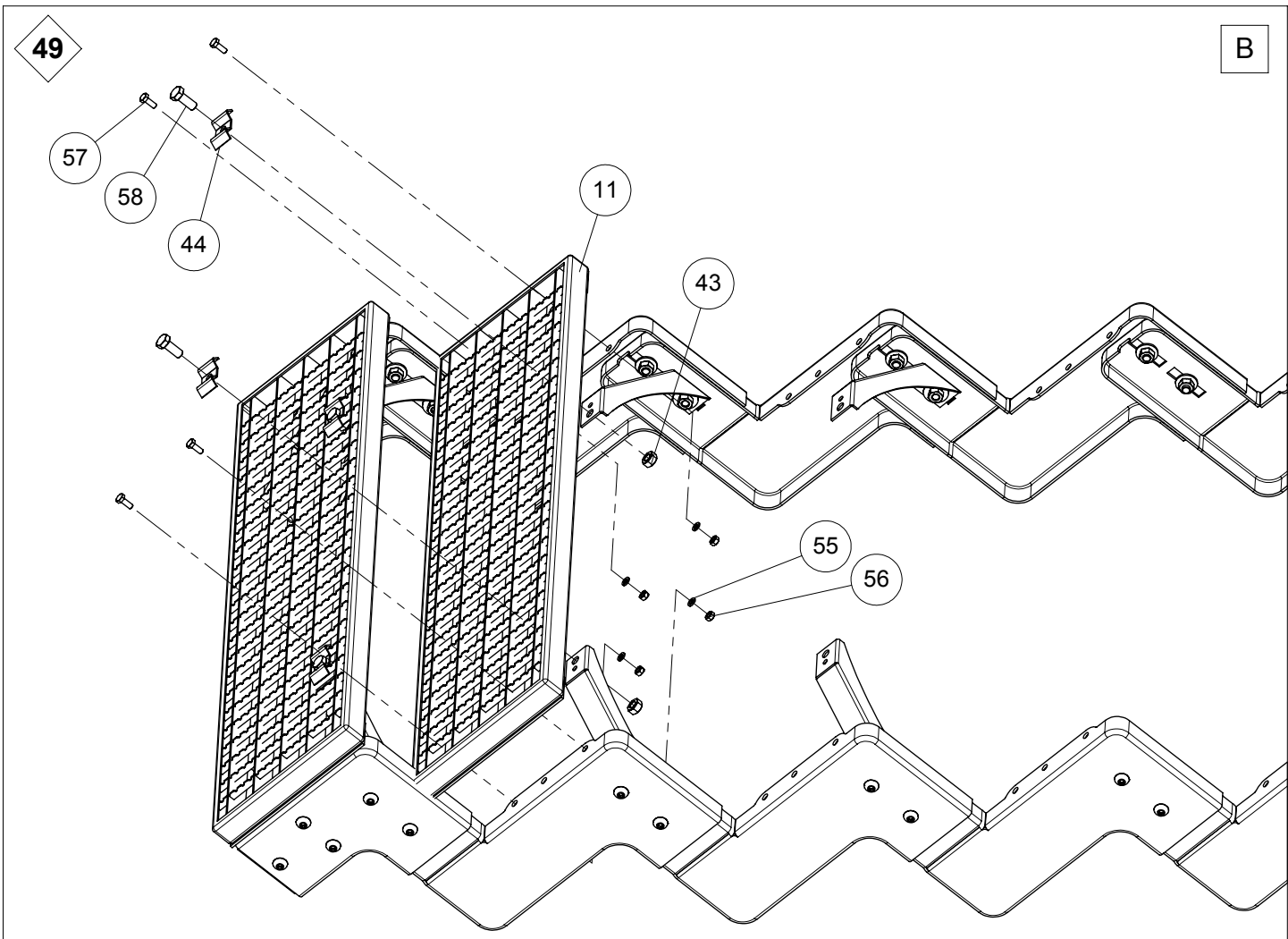
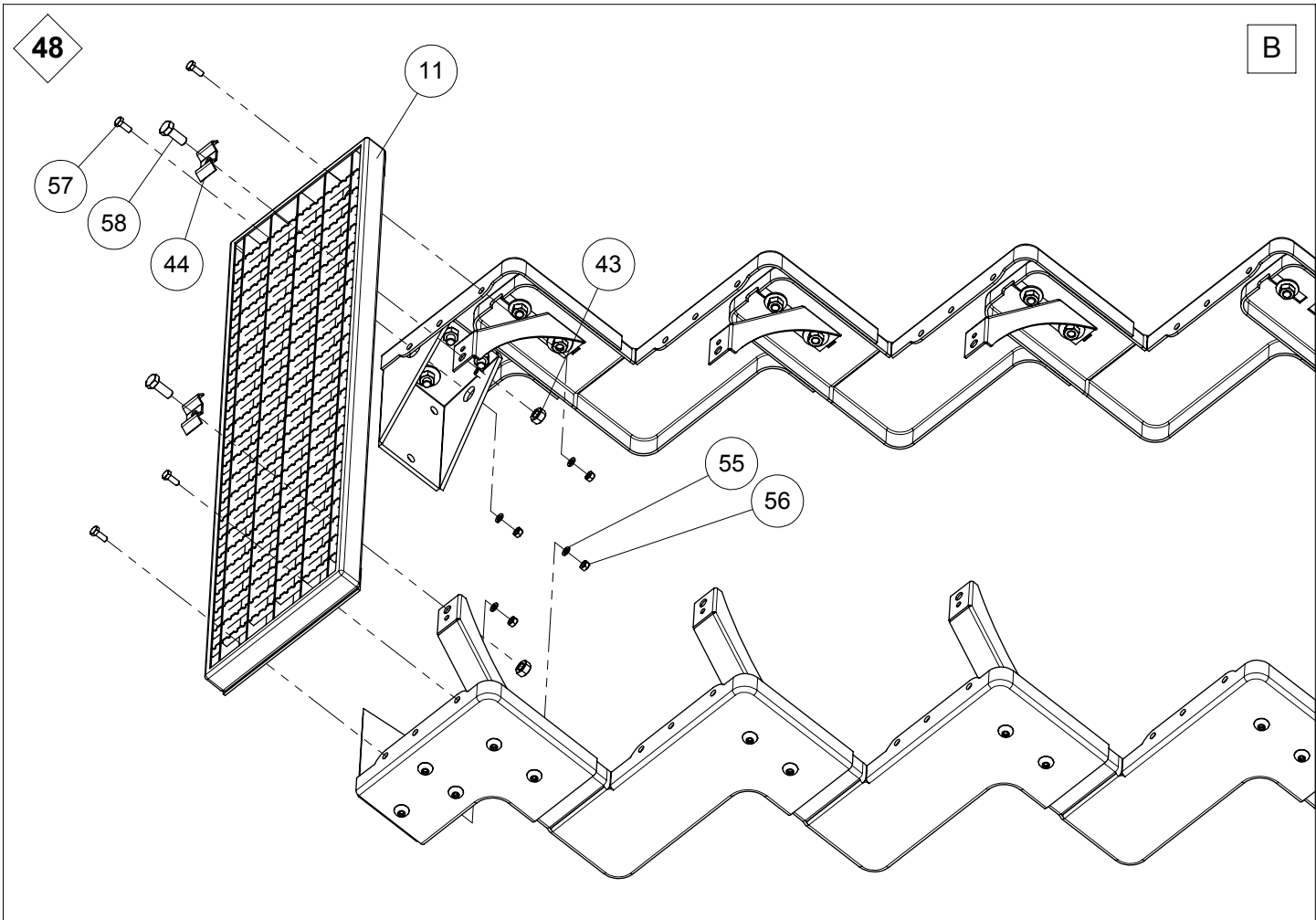






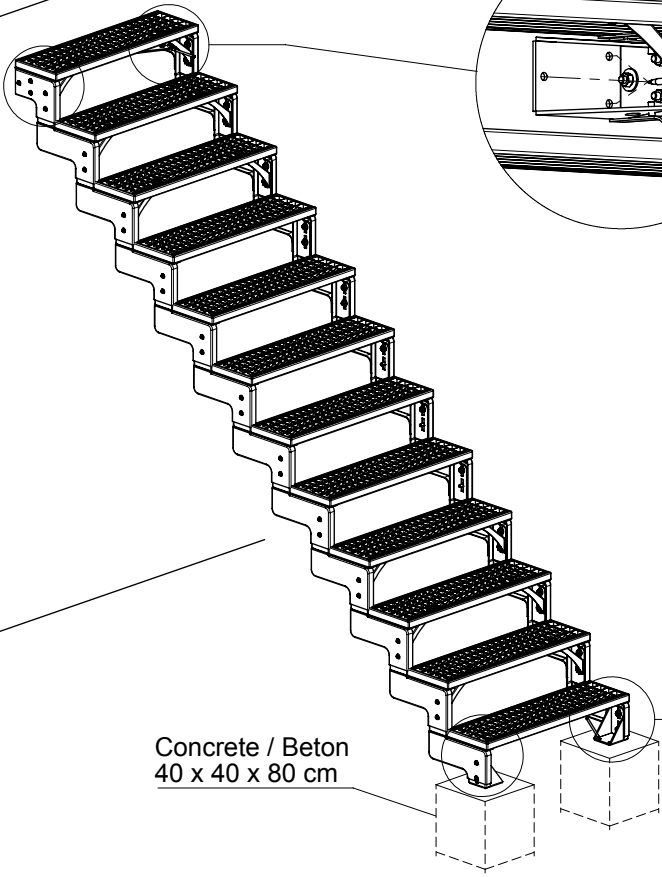




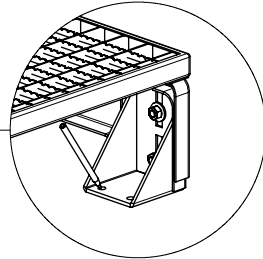
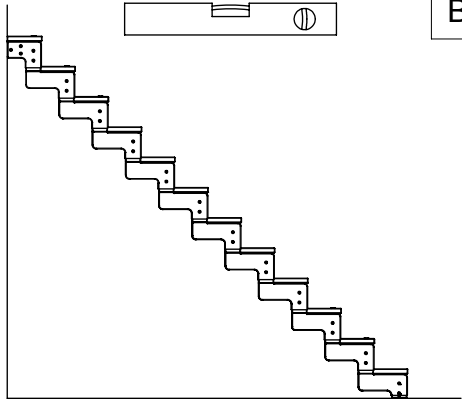


50

B



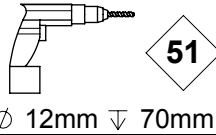
Concrete / Beton
40 x 40 x 80 cm



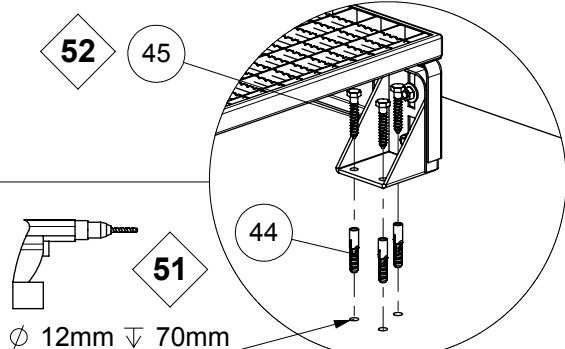
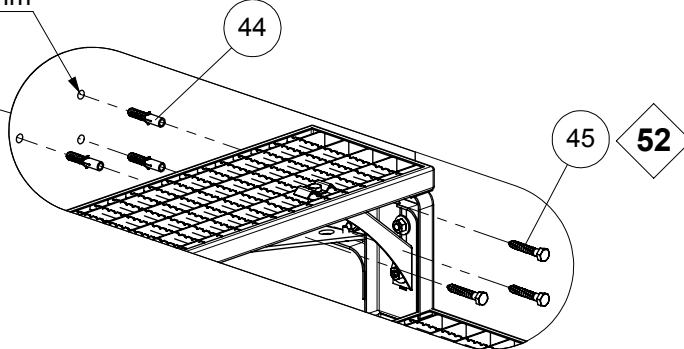
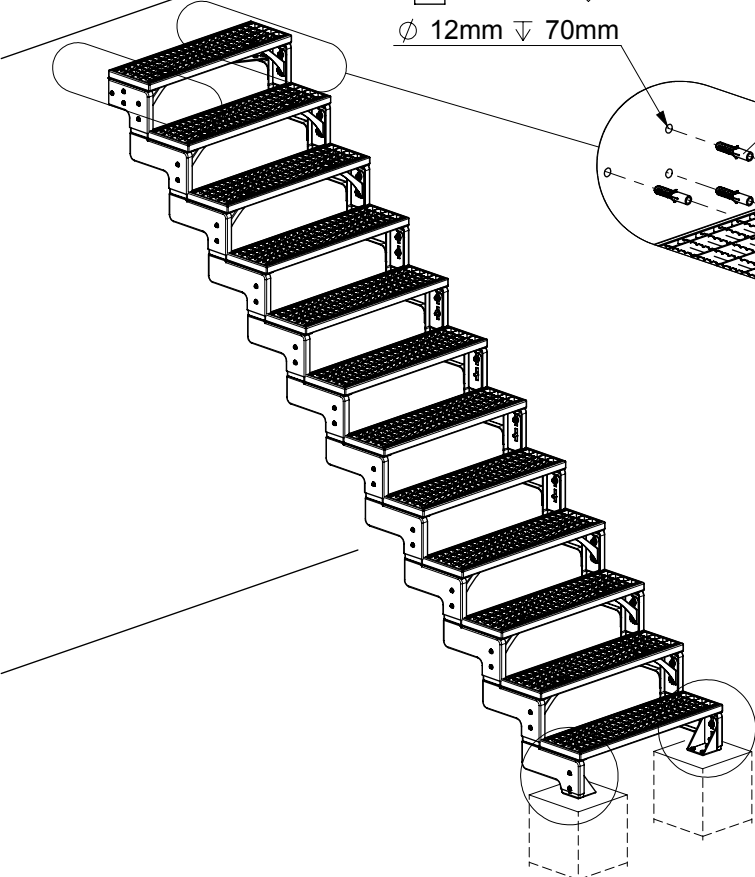
51

52

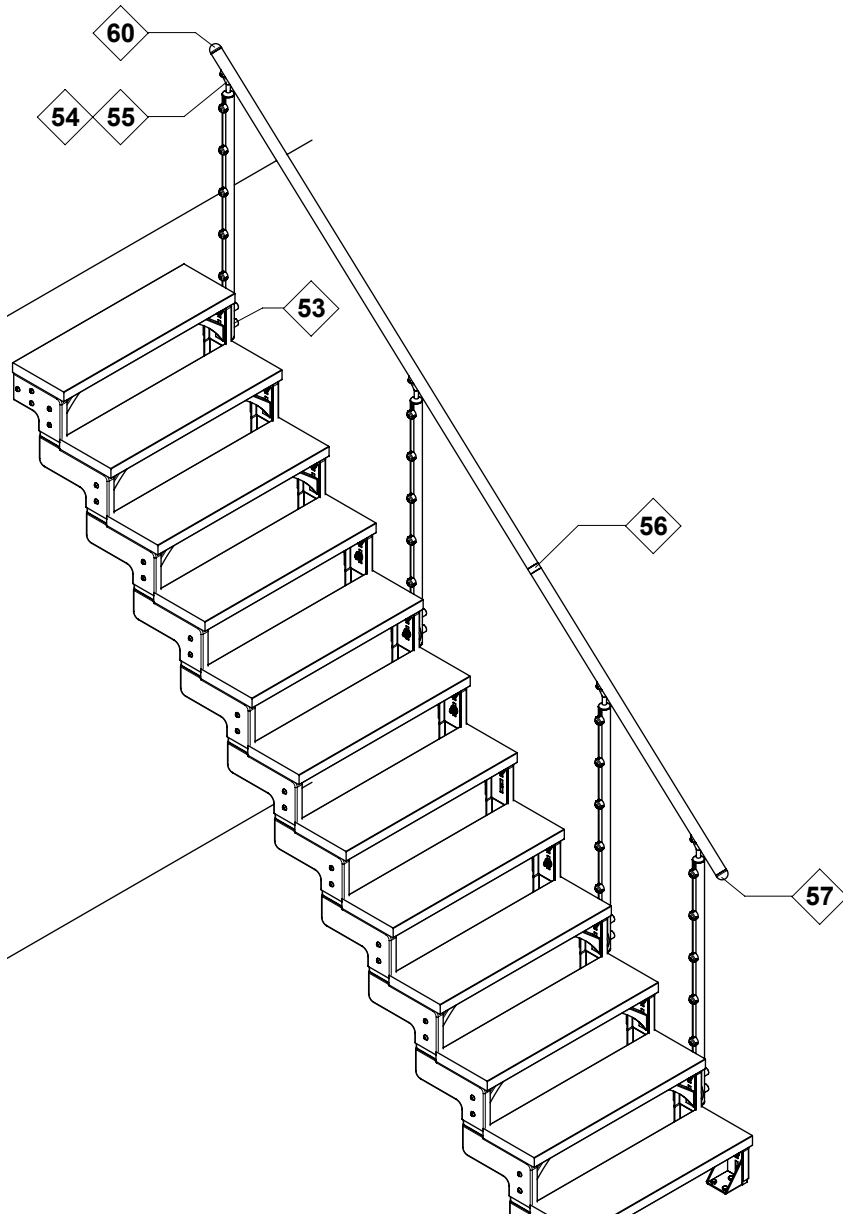
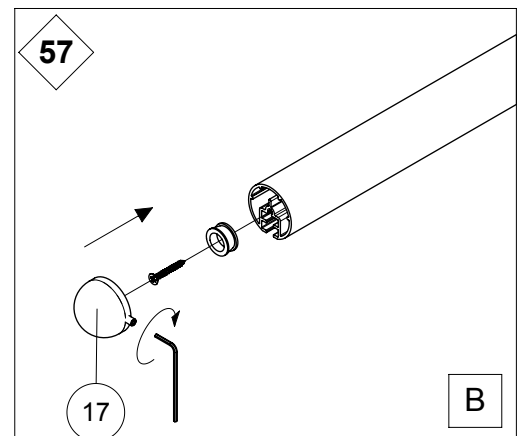
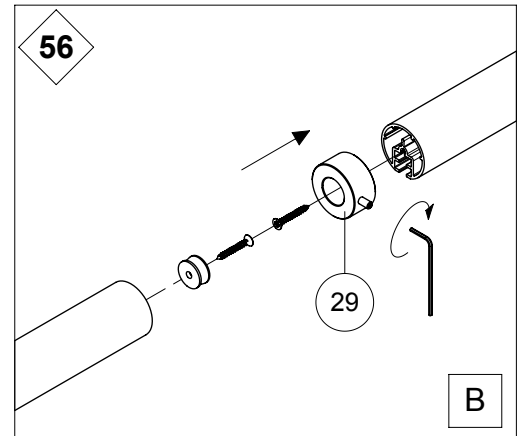
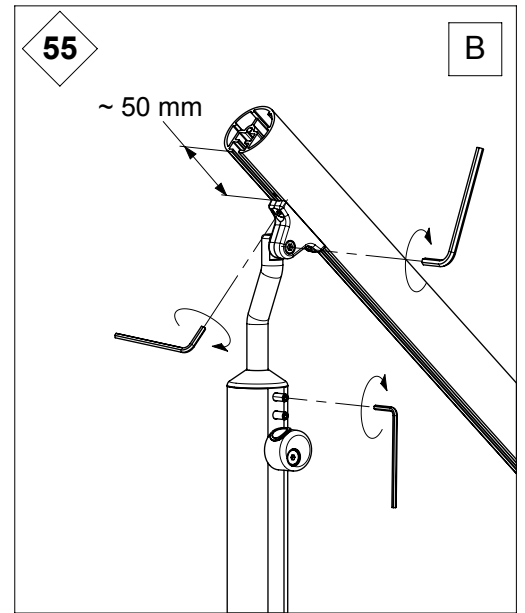
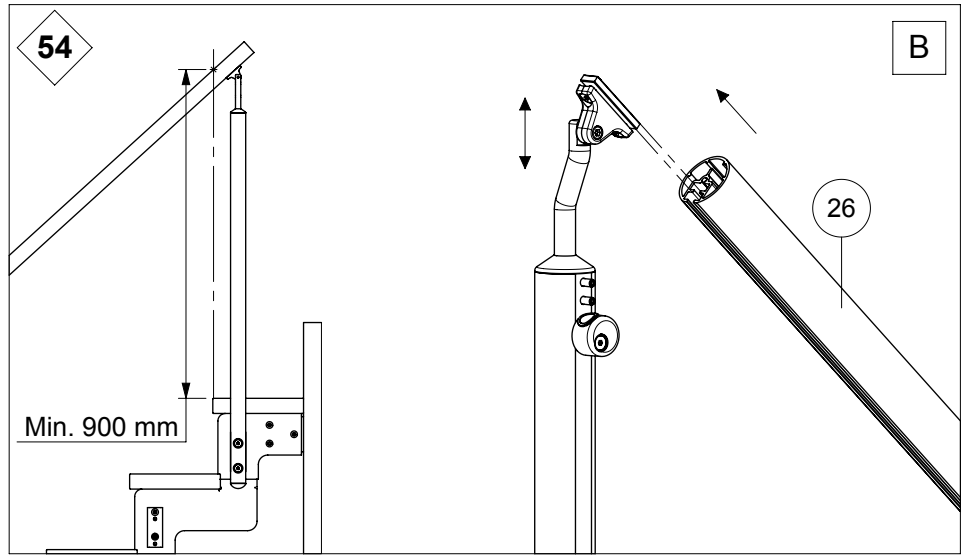
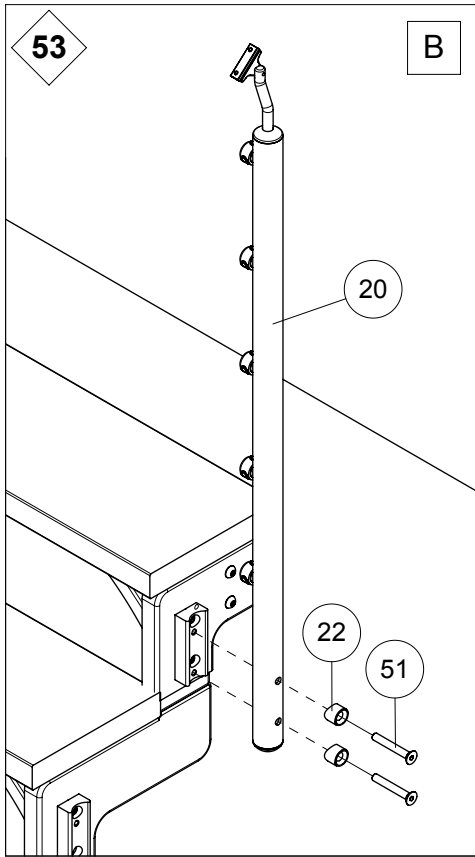
B

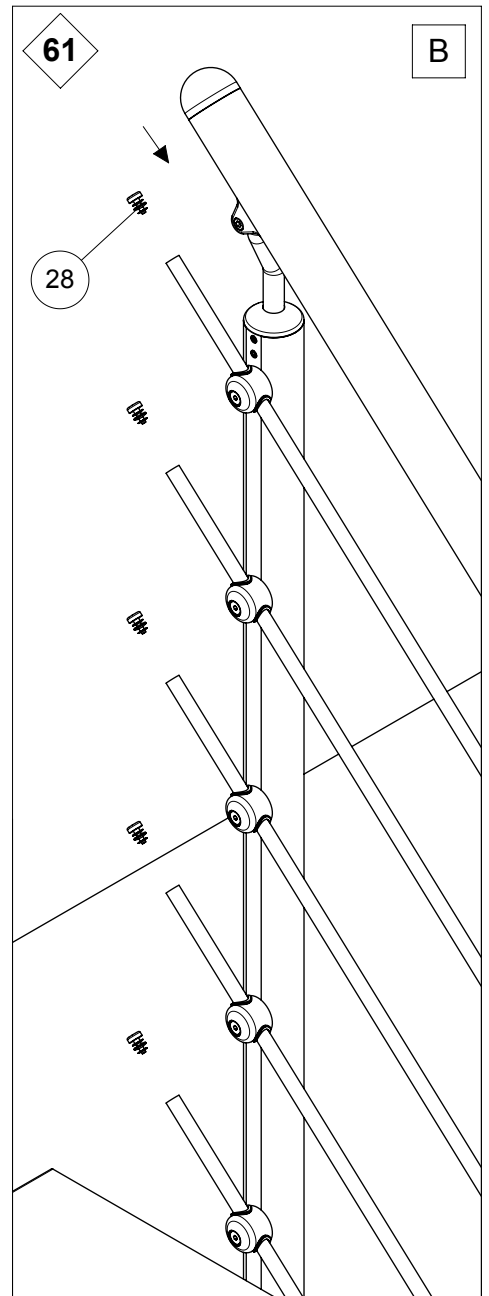
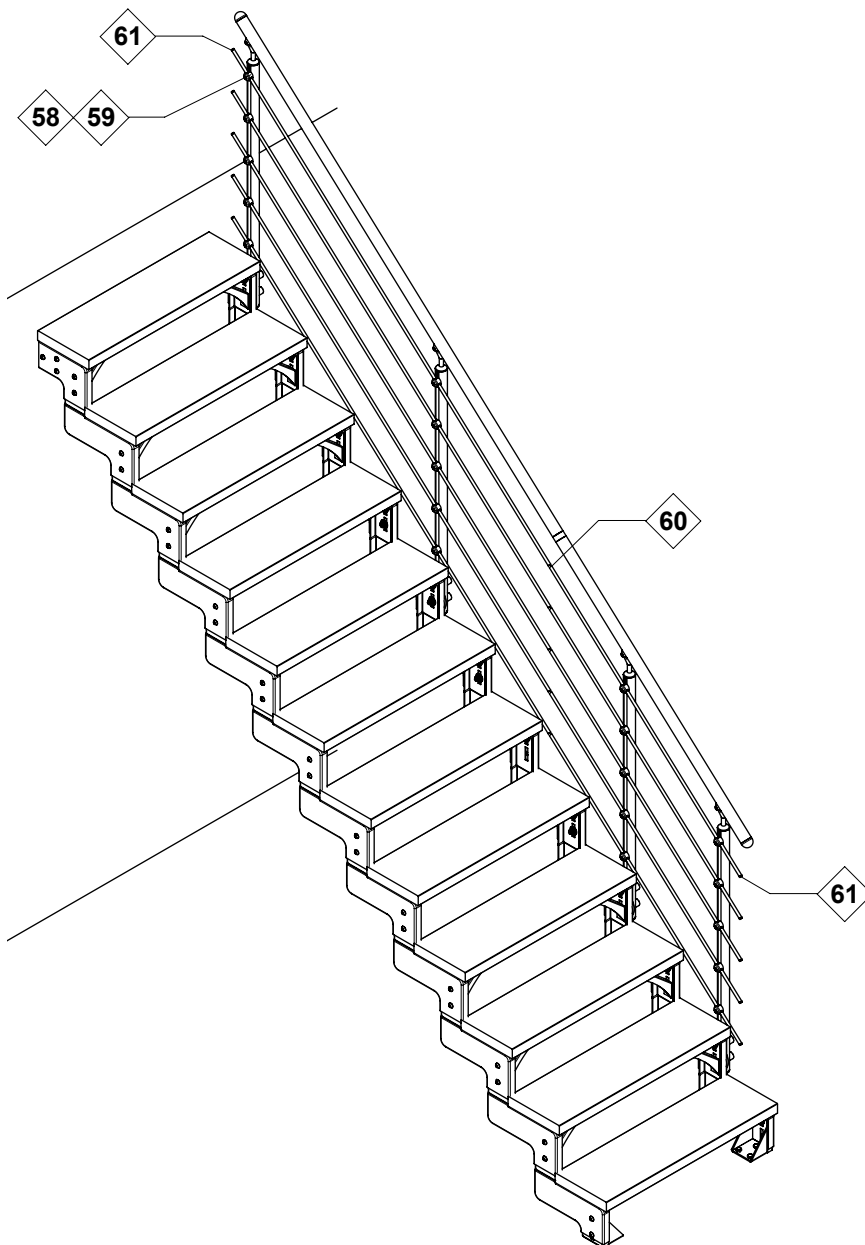
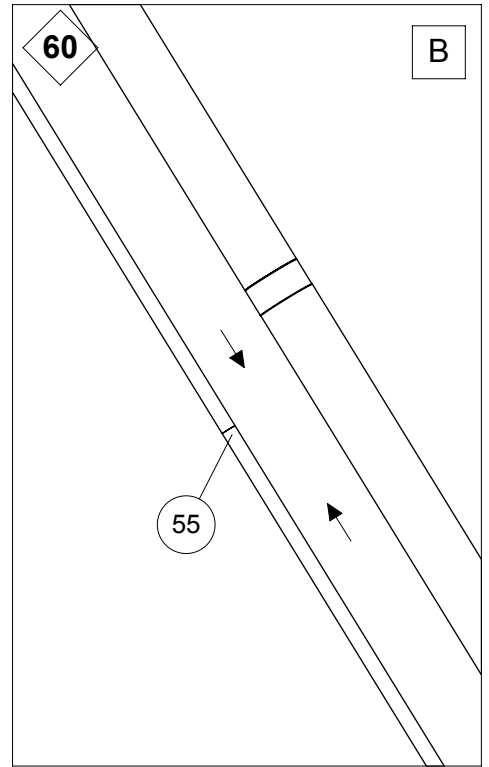
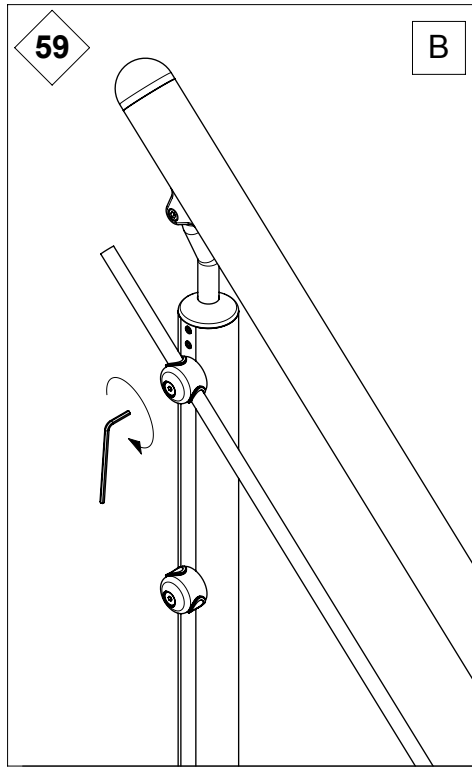
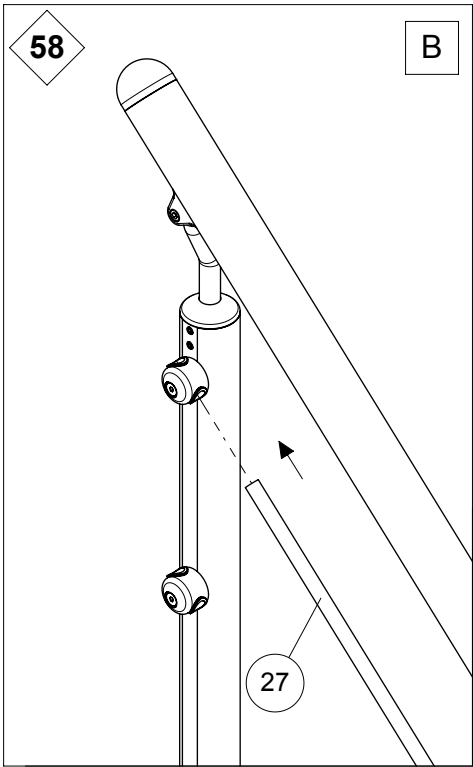



Ø 12mm ▽ 70mm



Ø 12mm ▽ 70mm






We recommend
using a support
column from 8 treads
and if $W = 100$ cm

Ab 8 Stufen und $W =$
 100 cm empfehlen
wir eine Abstützung
der Treppe

