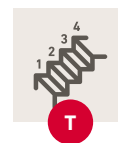
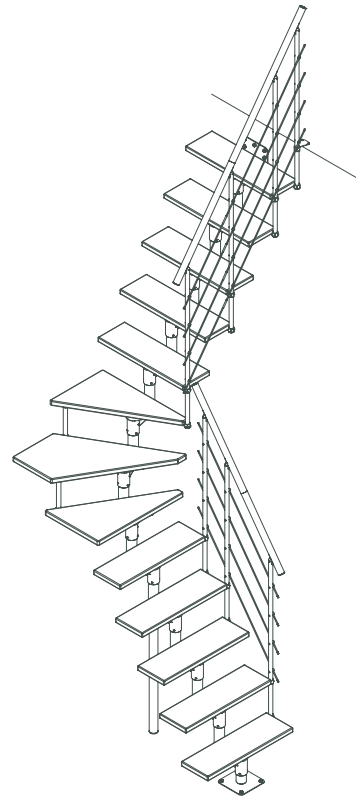
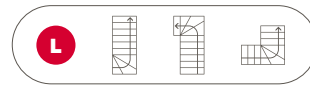
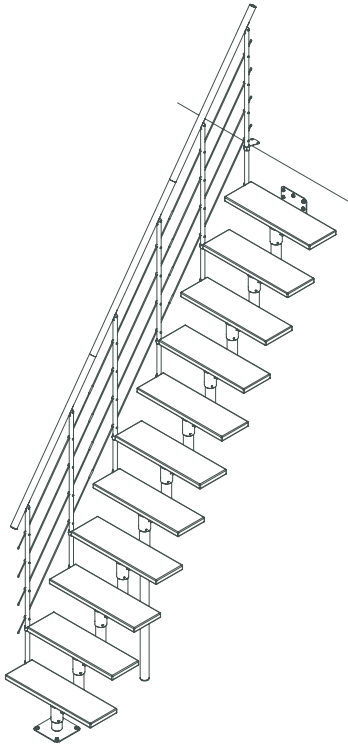




BOSTON

INSTRUCTION / MONTAGEANLEITUNG
INSTRUKTION / INSTRUCCION / INSTRUKCJA



	Height floor-to-floor	Rise height	Number of treads
	Geschosshöhe	Steigungshöhe	Anzahl Stufen
	Hauteur sol-sol	Hauteur de marche	Nombre de marches
	Altura de suelo/suelo	Altura de peldaños	Numero de peldaños
	Altura do chão / chão	Altura do degrau	Número de etapas (degraus)
	Hoogte vloer/vloer	Hoogte trede	Aantal treden
	Etagehøjde	Stigningshøjde	Antal trin
	Golv till golv höjd	Stigningshöjd	Antal steg
	Wysokość kondygnacji od podłogi do podłogi	Wysokość stopnia	Ilość stopni
	Înălțime sol-sol	Înălțime treaptă	Număr trepte
	Výška patra podlaha-podlaha	Výška schodu	Počet nášlapů
	Высота от пола до пола	Шаг ступени	Кол-во ступеней
	Aukšto aukštis	Pakopos aukštis	Pakopų kiekis
	Stāva augstums	Pakāpiena augstums	Pakāpienu skaits
	Korruse kõrgus	Astme kõrgus	Astmete arv
	Višina nadstropja	Višina stopnice	Število stopnic
	Visina kata	Visina stepenice	Broj stepenica
	Výška podlažia	Výška stupňa	Počet stupňov

1

x 1
 K2-1077100 RAL 7016
 K2-1077101 RAL 9005
 K2-1077102 Pearl grey
 K2-1077103 RAL 9016

2

	11	12	13
x	9	10	11

K2-1077105 RAL 7016
 K2-1077106 RAL 9005
 K2-1077107 Pearl grey
 K2-1077108 RAL 9016

3

x 1
 K2-1077115 RAL 7016
 K2-1077116 RAL 9005
 K2-1077117 Pearl grey
 K2-1077118 RAL 9016

4

x 1
 K2-1077010 RAL 7016
 K2-1077011 RAL 9005
 K2-1077012 Pearl grey
 K2-1077013 RAL 9016

5

x 1
 K1-1077145 RAL 7016
 K1-1077146 RAL 9005
 K1-1077147 Pearl grey
 K1-1077148 RAL 9016

6

	11	12	13
I	11	13	13
L	11	11	13

K2-1077025 RAL 7016
 K2-1077026 RAL 9005
 K2-1077027 Pearl grey
 K2-1077028 RAL 9016

7

x 1
 K1-1077140 RAL 7016
 K1-1077141 RAL 9005
 K1-1077142 Pearl grey
 K1-1077143 RAL 9016

8

x 1
 K2-1077030 RAL 7016
 K2-1077031 RAL 9005
 K2-1077032 Pearl grey
 K2-1077033 RAL 9016

9

	11	12	13
I	6	7	7
L	6	6	7

K1-1077130 RAL 7016
 K1-1077131 RAL 9005
 K1-1077132 Pearl grey
 K1-1077133 RAL 9016

21

I	0
L	1

M2-1078007 Beech / Buche / Hêtre / Bøg
 M2-1078017 Oak / Eiche / Chêne / Eg

20

	11	12	13
I	11	12	13
L	8	9	10

M2-1078001 Beech / Buche / Hêtre / Bøg
 M2-1078011 Oak / Eiche / Chêne / Eg

22

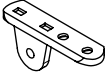

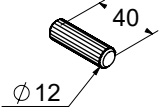


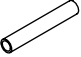

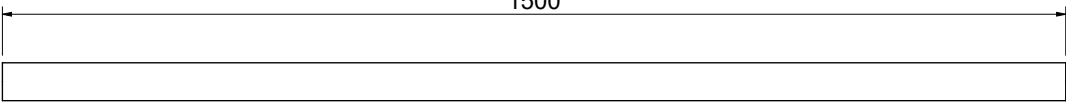

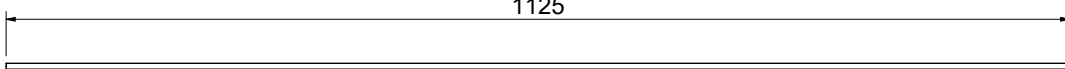
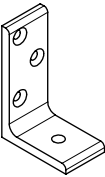
I	0
L	1



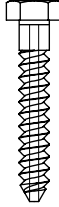

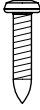




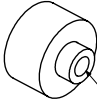




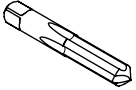



M2-1078008 Beech / Buche / Hêtre / Bøg
 M2-1078018 Oak / Eiche / Chêne / Eg

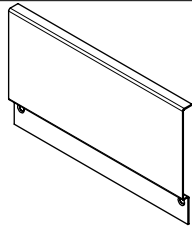
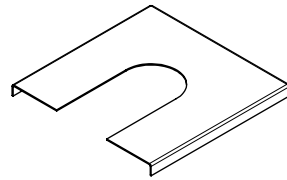



23

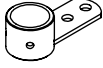
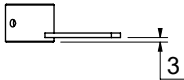
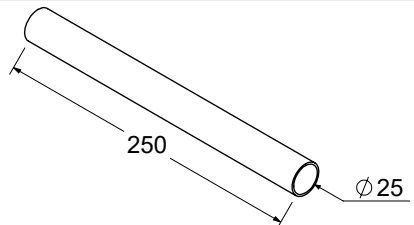
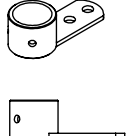


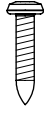


I	0
L	1

M2-1078009 Beech / Buche / Hêtre / Bøg
 M2-1078019 Oak / Eiche / Chêne / Eg

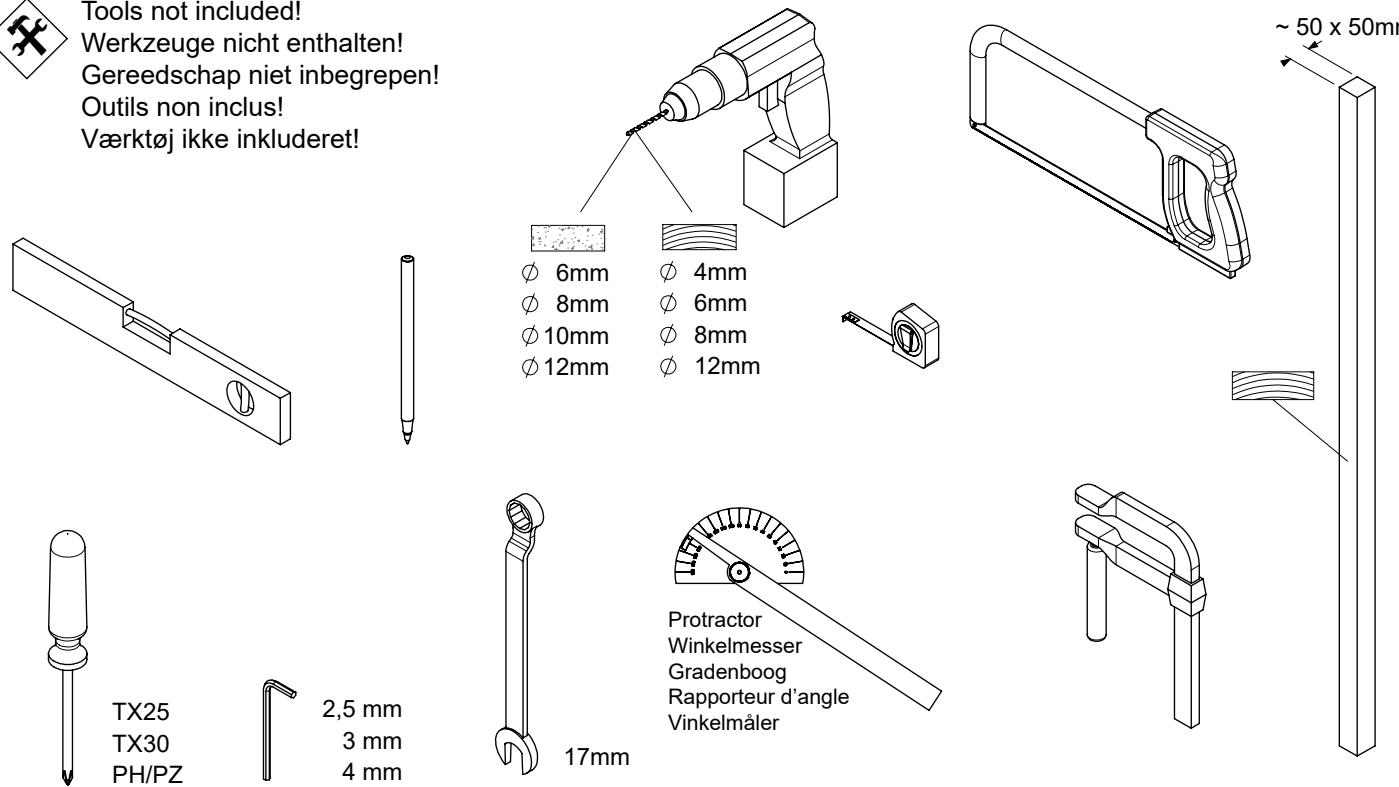
<p>26</p> <table border="1"> <tr><td></td><td>11</td><td>12</td><td>13</td></tr> <tr><td>I</td><td>6</td><td>7</td><td>7</td></tr> <tr><td>L</td><td>6</td><td>6</td><td>7</td></tr> </table>  <p>K2-1077125 RAL 7016 K2-1077126 RAL 9005 K2-1077127 Pearl grey K2-1077128 RAL 9016</p>		11	12	13	I	6	7	7	L	6	6	7	<p>27</p>  <p>x 4 K1-1077150 RAL 7016 K1-1077151 RAL 9005 K1-1077152 Pearl grey K1-1077153 RAL 9016</p>	<p>28</p>  <p>x 2 K3-08041</p>												
	11	12	13																							
I	6	7	7																							
L	6	6	7																							
<p>29</p> <table border="1"> <tr><td></td><td>11</td><td>12</td><td>13</td></tr> <tr><td>I</td><td>24</td><td>28</td><td>28</td></tr> <tr><td>L</td><td>24</td><td>24</td><td>28</td></tr> </table>  <p>K1-04041</p>		11	12	13	I	24	28	28	L	24	24	28	<p>30</p>  <p>x 16 K1-40296 Black / Schwarz / Noir / Sort</p>	<p>31</p> <table border="1"> <tr><td></td><td>11</td><td>12</td><td>13</td></tr> <tr><td>I</td><td>8</td><td>12</td><td>12</td></tr> <tr><td>L</td><td>8</td><td>8</td><td>12</td></tr> </table>  <p>K1-14939</p>		11	12	13	I	8	12	12	L	8	8	12
	11	12	13																							
I	24	28	28																							
L	24	24	28																							
	11	12	13																							
I	8	12	12																							
L	8	8	12																							
<p>32</p>  <p>Ø 40</p>  <p>1500</p> <table border="1"> <tr><td></td><td>11</td><td>12</td><td>13</td></tr> <tr><td>I</td><td>3</td><td>3</td><td>3</td></tr> <tr><td>L</td><td>2</td><td>3</td><td>3</td></tr> </table> <p>1078905 Beech / Buche / Hêtre / Bøg 1078915 Oak / Eiche / Chêne / Eg</p>				11	12	13	I	3	3	3	L	2	3	3												
	11	12	13																							
I	3	3	3																							
L	2	3	3																							
<p>33</p>  <p>Ø 6</p>  <p>1125</p> <table border="1"> <tr><td></td><td>11</td><td>12</td><td>13</td></tr> <tr><td>I</td><td>12</td><td>16</td><td>16</td></tr> <tr><td>L</td><td>12</td><td>12</td><td>16</td></tr> </table> <p>K1-14076</p>				11	12	13	I	12	16	16	L	12	12	16												
	11	12	13																							
I	12	16	16																							
L	12	12	16																							
<p>37</p> <p>x 2 K1-1077195 RAL 7016 K1-1077196 RAL 9005 K1-1077197 Pearl grey K1-1077198 RAL 9016</p> 																										

<p>40</p>  <p>x 10 K3-08001 Ø12 x 60</p>	<p>41</p>  <p>x 10 K3-04001 Ø10</p>	<p>42</p>  <p>x 10 K3-06003 Ø10 x 60</p>	<p>43</p>  <table border="1" data-bbox="1161 165 1342 248"> <tr><td></td><td>11</td><td>12</td><td>13</td></tr> <tr><td>I</td><td>61</td><td>66</td><td>71</td></tr> <tr><td>L</td><td>61</td><td>66</td><td>71</td></tr> </table> <p>K3-05003 M8 x 6</p>		11	12	13	I	61	66	71	L	61	66	71												
	11	12	13																								
I	61	66	71																								
L	61	66	71																								
<p>44</p> <table border="1" data-bbox="76 394 256 477"> <tr><td></td><td>11</td><td>12</td><td>13</td></tr> <tr><td>I</td><td>90</td><td>100</td><td>106</td></tr> <tr><td>L</td><td>90</td><td>96</td><td>106</td></tr> </table>  <p>K3-06130 Ø6 x 30 TX30</p>		11	12	13	I	90	100	106	L	90	96	106	<p>45</p> <table border="1" data-bbox="438 394 619 477"> <tr><td></td><td>11</td><td>12</td><td>13</td></tr> <tr><td>I</td><td>24</td><td>28</td><td>28</td></tr> <tr><td>L</td><td>24</td><td>24</td><td>28</td></tr> </table>  <p>K3-05056 M6 x 5</p>		11	12	13	I	24	28	28	L	24	24	28		<p>47</p>  <p>x 2 K3-08002 Ø8 x 40</p>
	11	12	13																								
I	90	100	106																								
L	90	96	106																								
	11	12	13																								
I	24	28	28																								
L	24	24	28																								
<p>48</p>  <p>x 2 K3-06027 Ø5 x 50 TX25</p>	<p>49</p>  <p>Strong glue Superkleber Seconde lijm Colle forte Superlim</p> <p>x 1 K3-90001 3 g</p>	<p>50</p>  <p>Ø 11,2mm</p> <p>x 1 K1-23345</p>	<p>51</p> <table border="1" data-bbox="1161 618 1310 701"> <tr><td></td><td>11</td><td>12</td><td>13</td></tr> <tr><td>I</td><td>22</td><td>24</td><td>24</td></tr> <tr><td>L</td><td>22</td><td>22</td><td>24</td></tr> </table>  <p>K3-06022 FZB/BZP Ø5 x 35 TX25</p>		11	12	13	I	22	24	24	L	22	22	24												
	11	12	13																								
I	22	24	24																								
L	22	22	24																								
<p>52</p> <table border="1" data-bbox="76 855 256 938"> <tr><td></td><td>11</td><td>12</td><td>13</td></tr> <tr><td>I</td><td>6</td><td>7</td><td>7</td></tr> <tr><td>L</td><td>6</td><td>6</td><td>7</td></tr> </table>  <p>K3-02101 M5 x 25</p>		11	12	13	I	6	7	7	L	6	6	7	<p>53</p> <table border="1" data-bbox="438 855 619 938"> <tr><td></td><td>11</td><td>12</td><td>13</td></tr> <tr><td>I</td><td>24</td><td>28</td><td>28</td></tr> <tr><td>L</td><td>24</td><td>24</td><td>28</td></tr> </table>  <p>K1-04040 M6 x 16</p>		11	12	13	I	24	28	28	L	24	24	28	<p>54</p>  <p>x 2 K3-08004 Ø10 x 60</p>	<p>55</p>  <p>x 1 K3-10010 M8</p>
	11	12	13																								
I	6	7	7																								
L	6	6	7																								
	11	12	13																								
I	24	28	28																								
L	24	24	28																								
<p>59</p>  <p>x 2 K3-04028 Ø8</p>	<p>60</p>  <p>x 2 K3-06015 Ø8 x 70</p>	<p>61</p>  <p>Wood glue Holzkleber Houtlijm Colle à bois Trælím</p> <p>x 1 K3-90005 40 ml</p>																									

OPTION MÖGLICHKEIT OPTIE	OPTION MULIGHED	Cover kit Abdeckkappen Afdekkitt	Kit de couverture Afdækningskit
<p>10</p> <p>x 1 K1-1077070 RAL 7016 K1-1077071 RAL 9005 K1-1077072 Pearl grey</p> 		<p>11</p> <p>x 1 K1-1077075 RAL 7016 K1-1077076 RAL 9005 K1-1077077 Pearl grey</p> 	
<p>51</p> <p>x 2 K3-06022 Ø5 x 35</p> 	<p>56</p> <p>x 2 K3-08006 Ø6 x 40</p> 	<p>58</p> <p>x 8 R3-20590</p> 	

OPTION MÖGLICHKEIT OPTIE OPTION MULIGHED	Connection kit for 1/4 turn Verbindungssatz für 1/4-gewendelt Aansluitkit voor 1/4 slag Kit de connexion pour 1/4 tournant Forbindersæt til 1/4-sving		
<p>6</p> <p>x 2 K2-1077025 RAL 7016 K2-1077026 RAL 9005 K2-1077027 Pearl grey K2-1077028 RAL 9016</p> 		<p>34</p> <p>x 2 K1-1077690 RAL 7016 K1-1077691 RAL 9005 K1-1077692 Pearl grey K1-1077693 RAL 9016</p>  <p>250</p> <p>Ø25</p>	
<p>35</p> <p>x 2 K2-1077695 RAL 7016 K2-1077696 RAL 9005 K2-1077697 Pearl grey K2-1077698 RAL 9016</p>  	<p>36</p> <p>x 2 K1-1077045 RAL 7016 K1-1077046 RAL 9005 K1-1077047 Pearl grey K1-1077048 RAL 9016</p> 	<p>44</p> <p>x 8 K3-06130 Ø6 x 30 TX30</p> 	<p>45</p> <p>x 8 K3-05056 M6 x 5</p>  

Tools not included!
Werkzeuge nicht enthalten!
Gereedschap niet inbegrepen!
Outils non inclus!
Værktøj ikke inkluderet!



Ø 6mm Ø 4mm
 Ø 8mm Ø 6mm
 Ø 10mm Ø 8mm
 Ø 12mm Ø 12mm

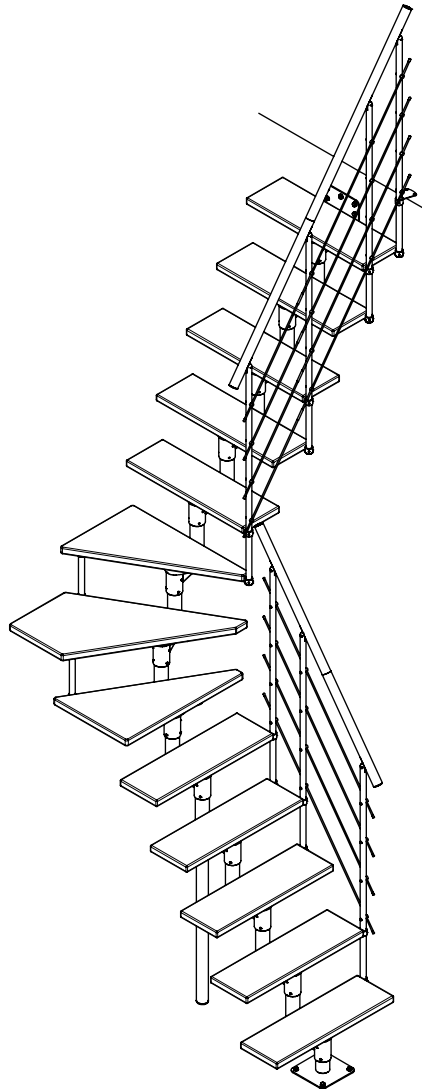
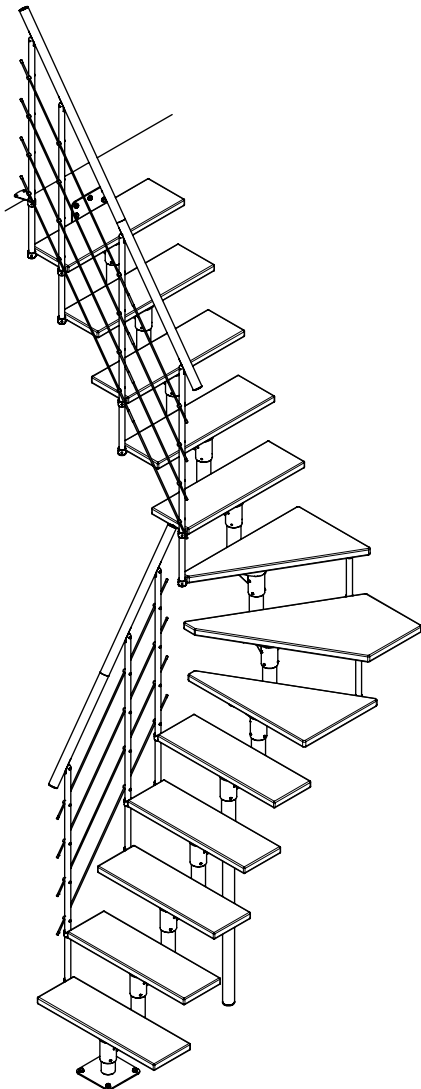
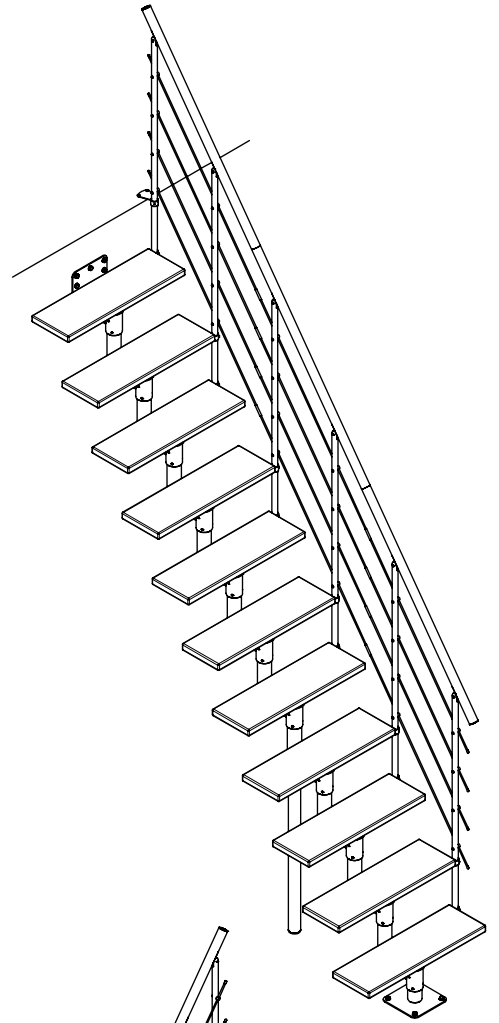
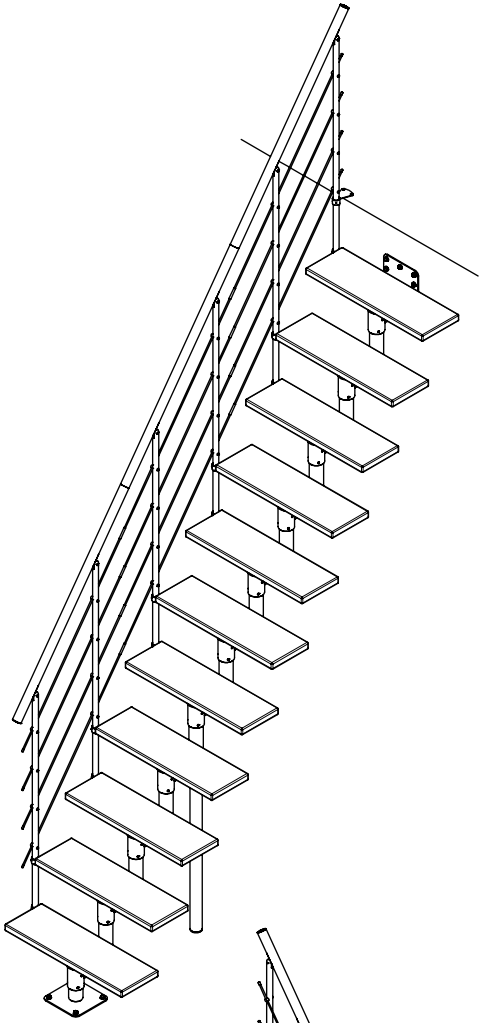
TX25
 TX30
 PH/PZ

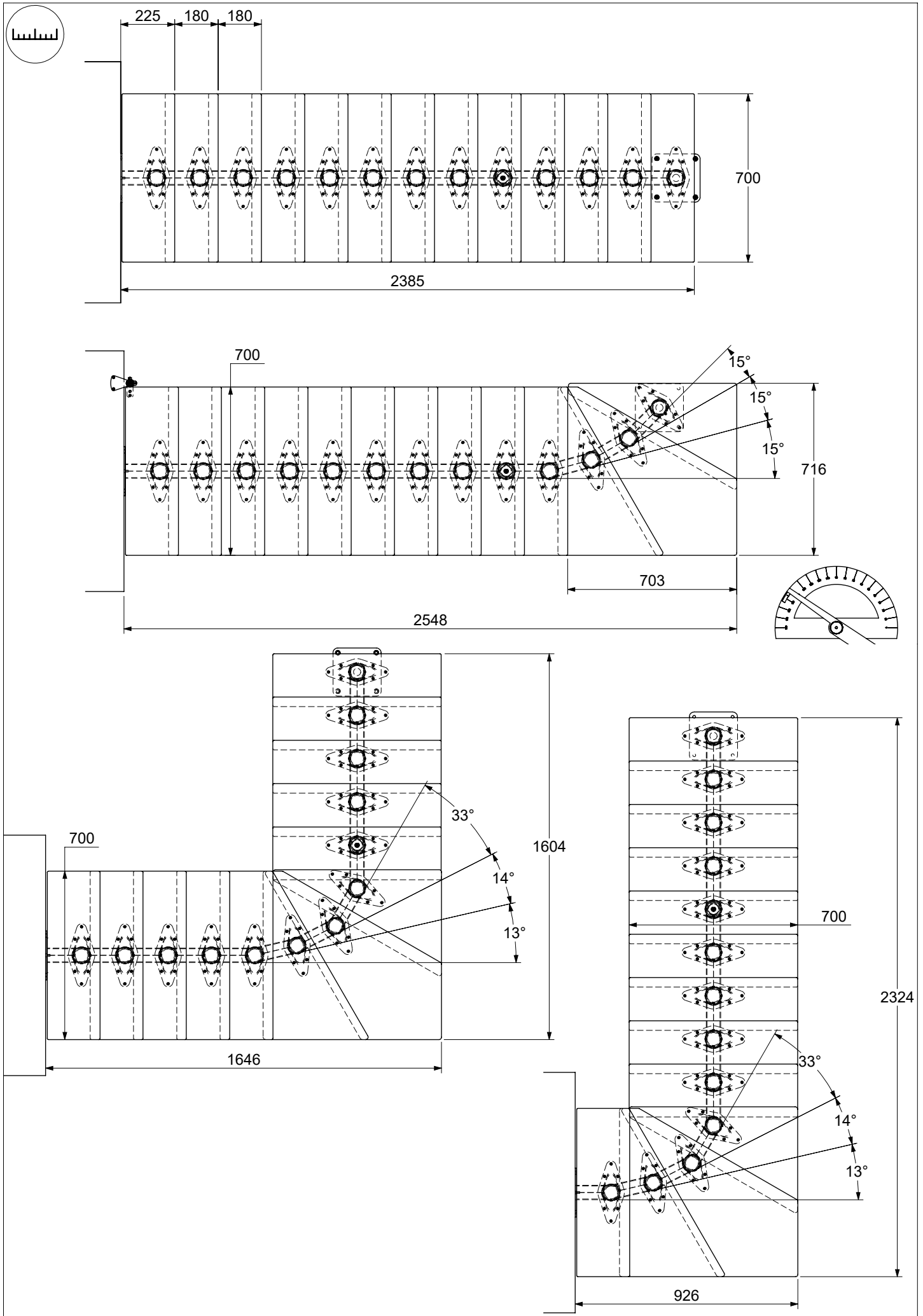
2,5 mm
 3 mm
 4 mm

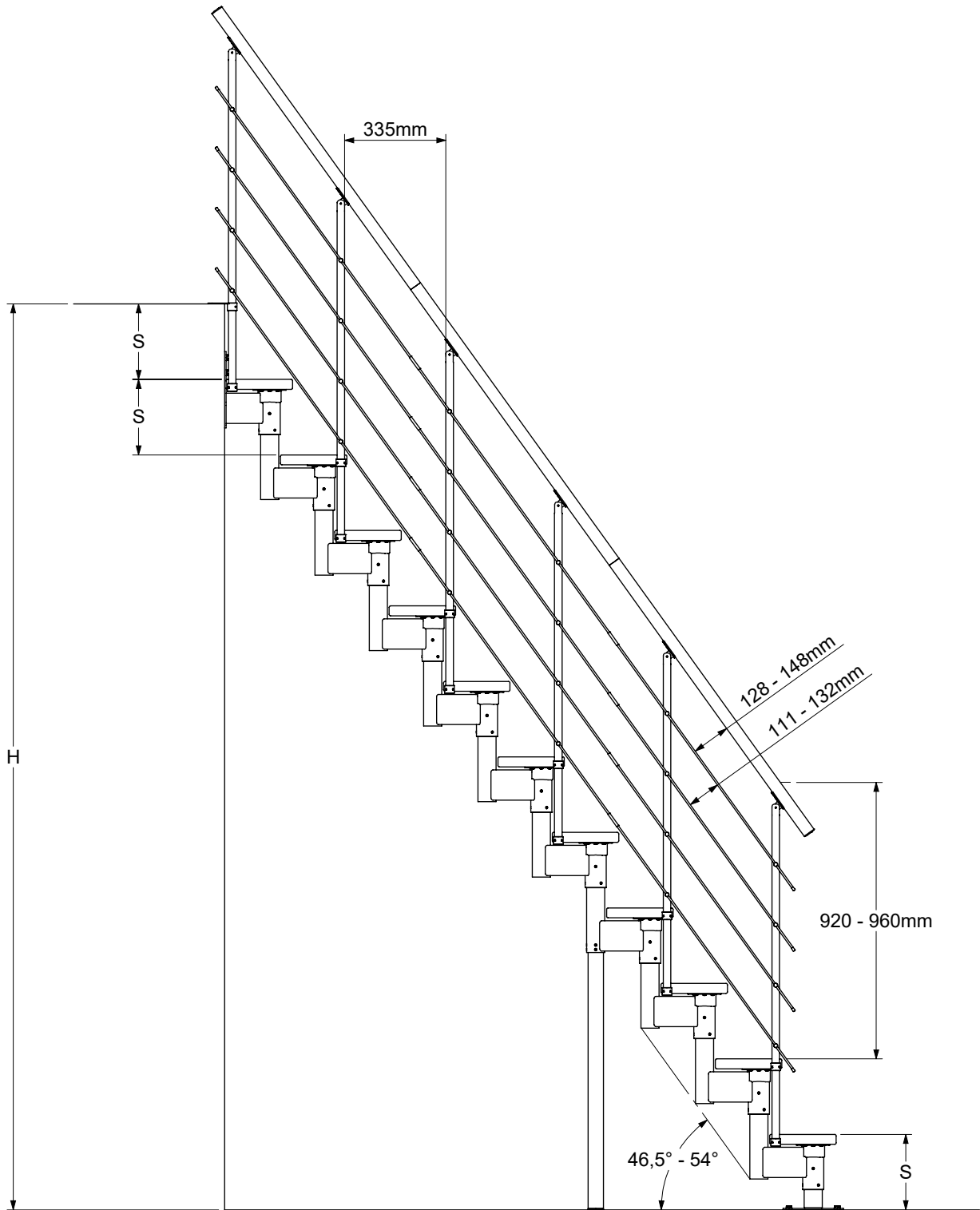
17mm

Protractor
 Winkelmesser
 Gradenboog
 Rapporteur d'angle
 Vinkelmåler

~ 50 x 50mm







$$S = \frac{H}{T + 1}$$

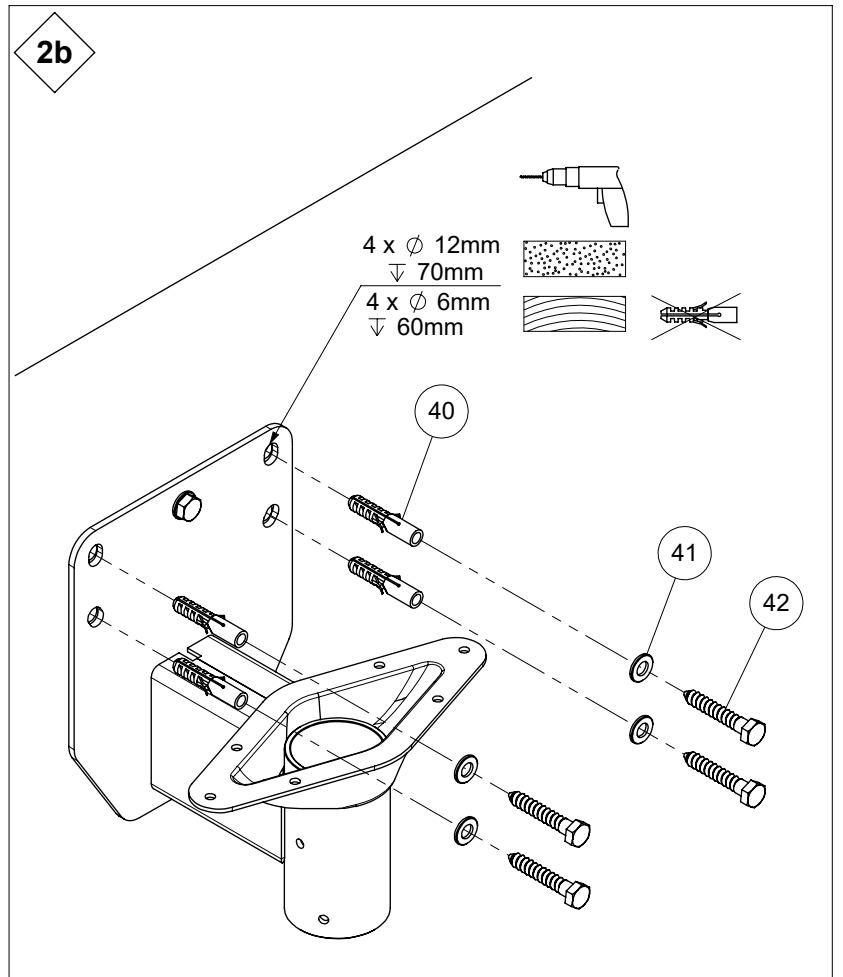
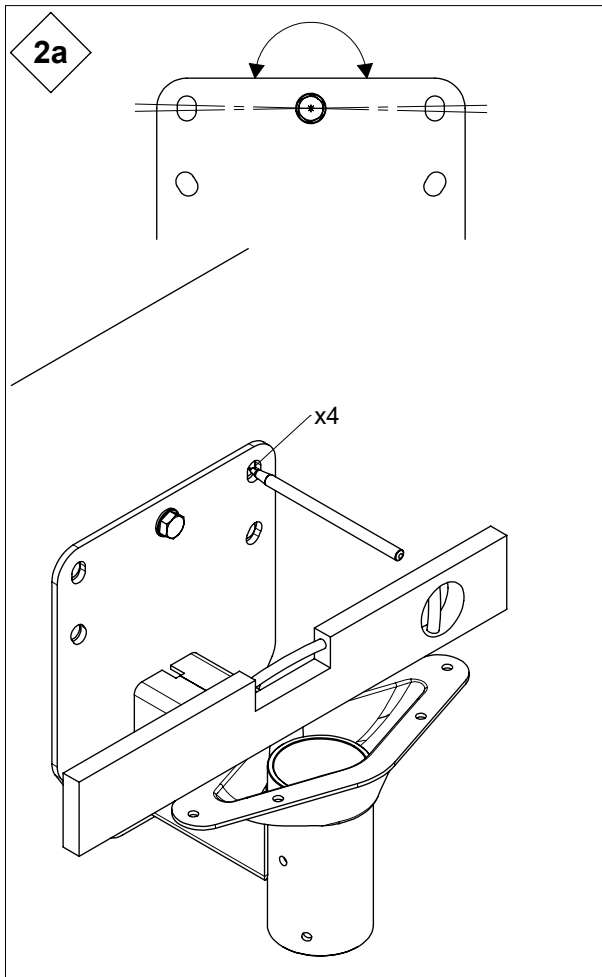
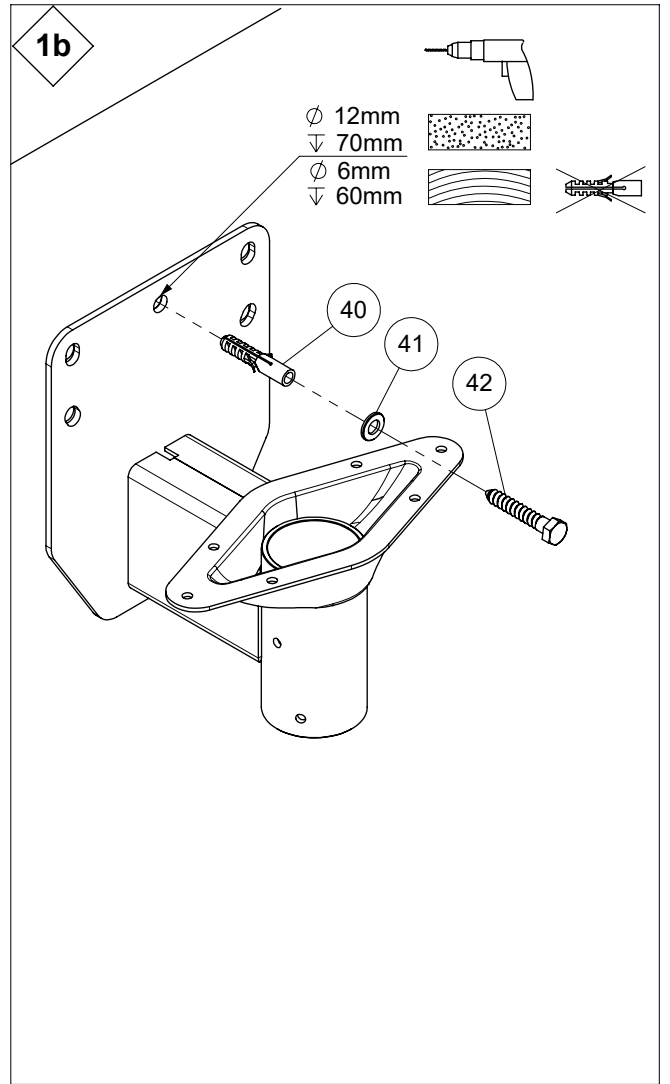
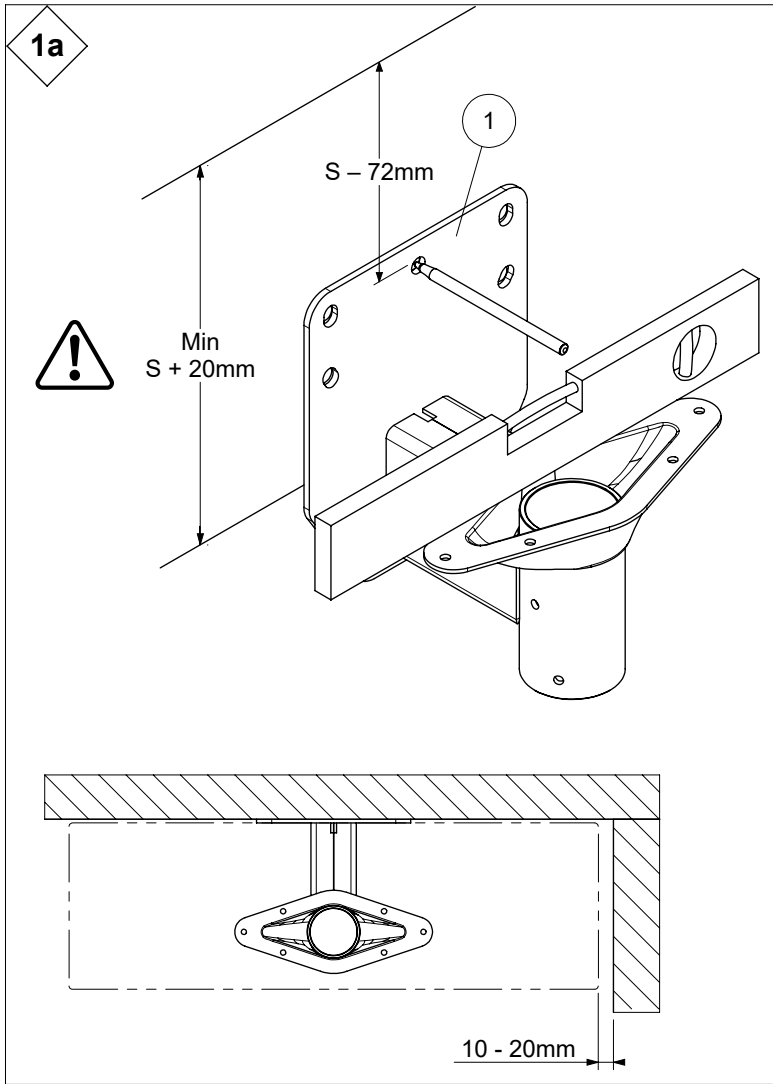
	min S	max S
	190 mm	250 mm

T	min H	max H
9	1900 mm	2500 mm
10	2090 mm	2750 mm
11	2280 mm	3000 mm
12	2470 mm	3120 mm
13	2660 mm	3360 mm

Example / Beispiel / Voorbeeld /
Example / Eksempel:
H: 2400 mm, T: 11 st(pcs)

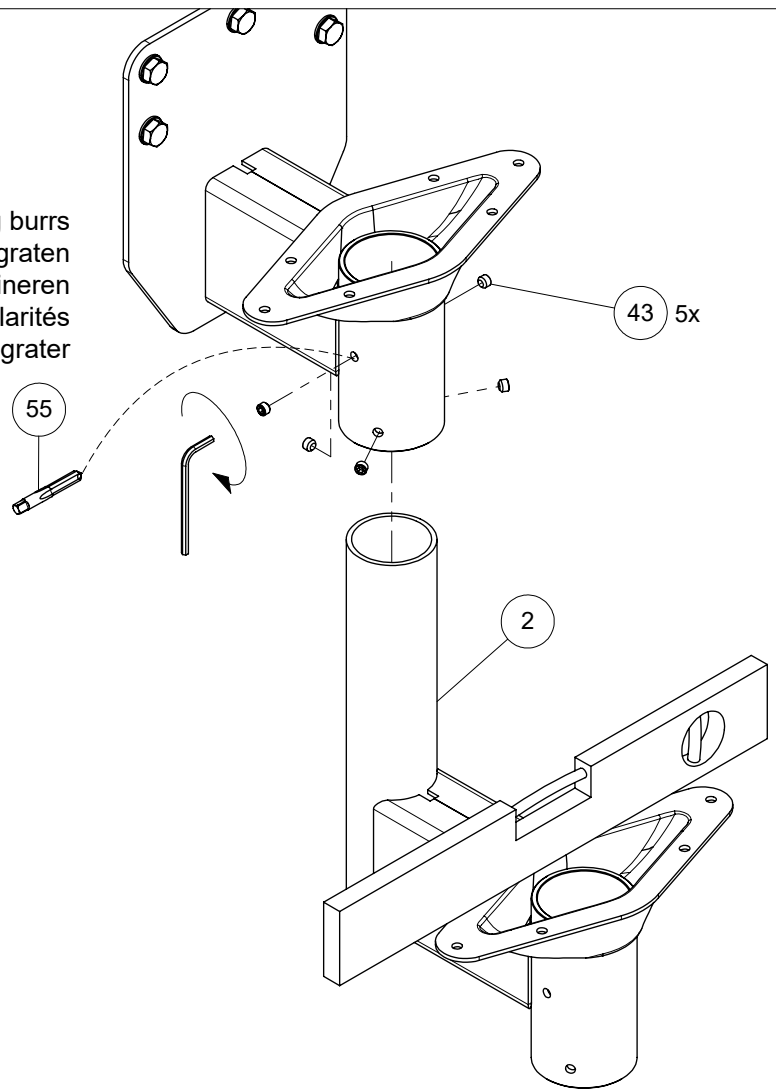
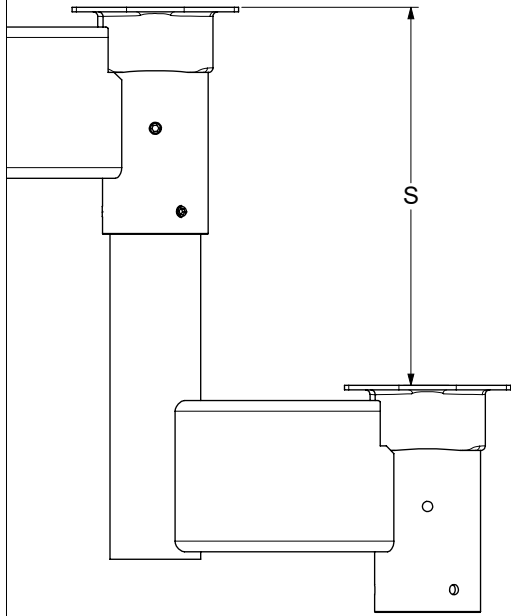
$$S = \frac{2400 \text{ mm}}{11 + 1} = 200 \text{ mm}$$



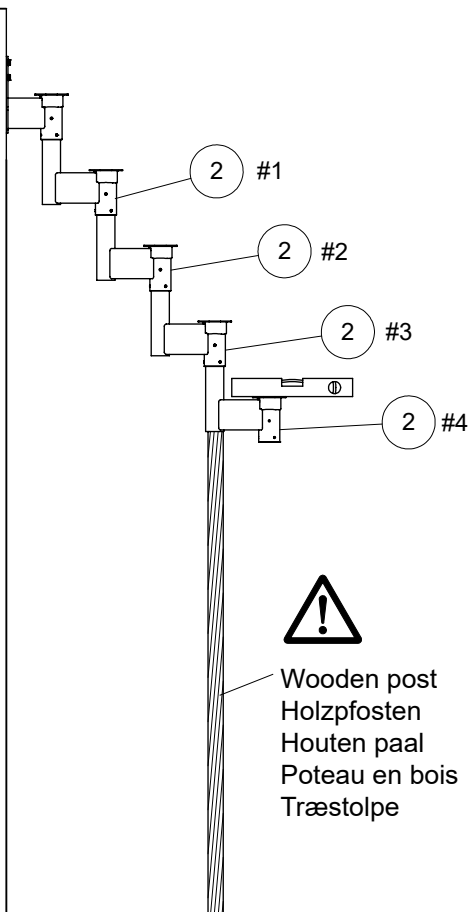


3

For removing burrs
 Zum Entgraten
 Om onregelmigheden te elimineren
 Pour éliminer les irrégularités
 Til fjernelse af grater

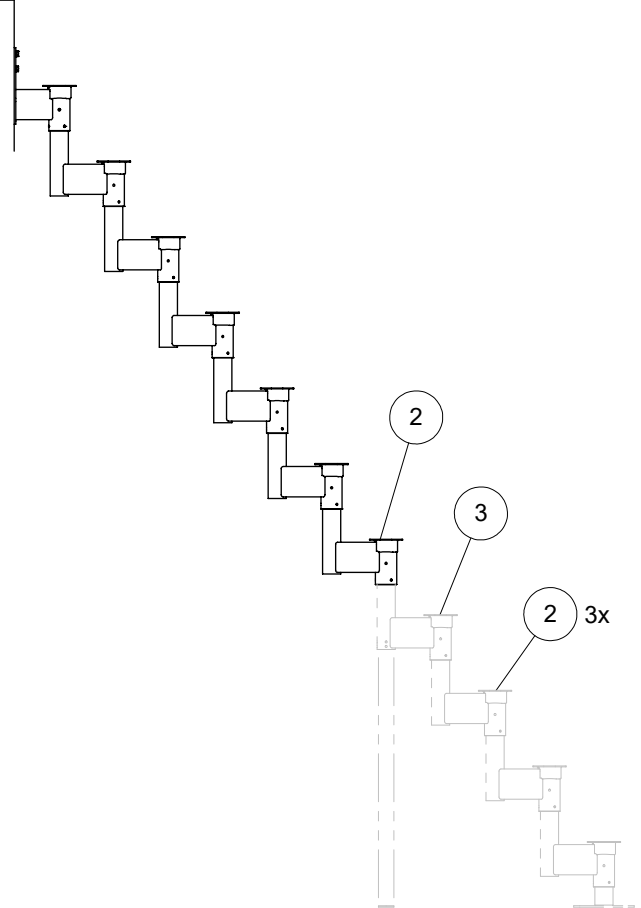


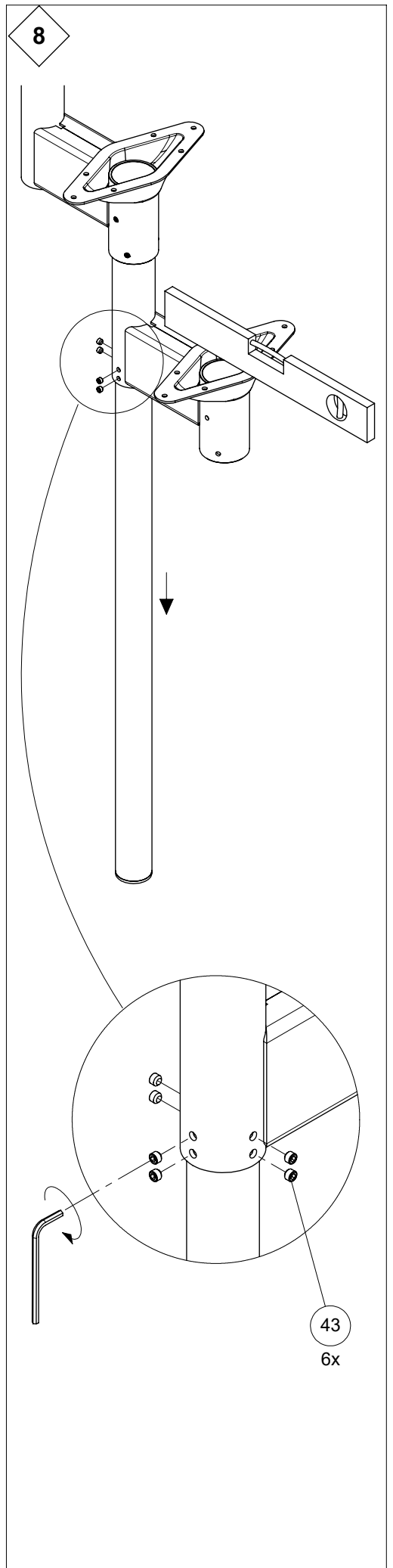
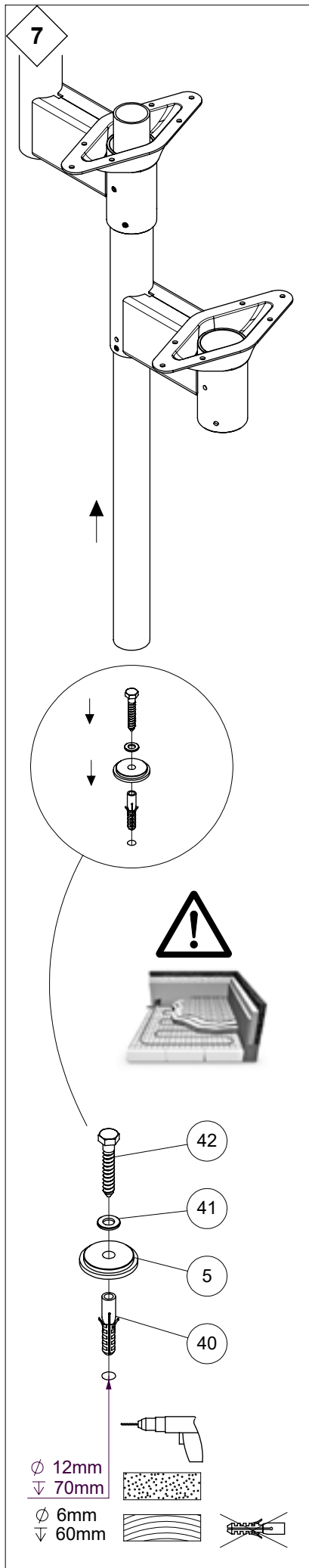
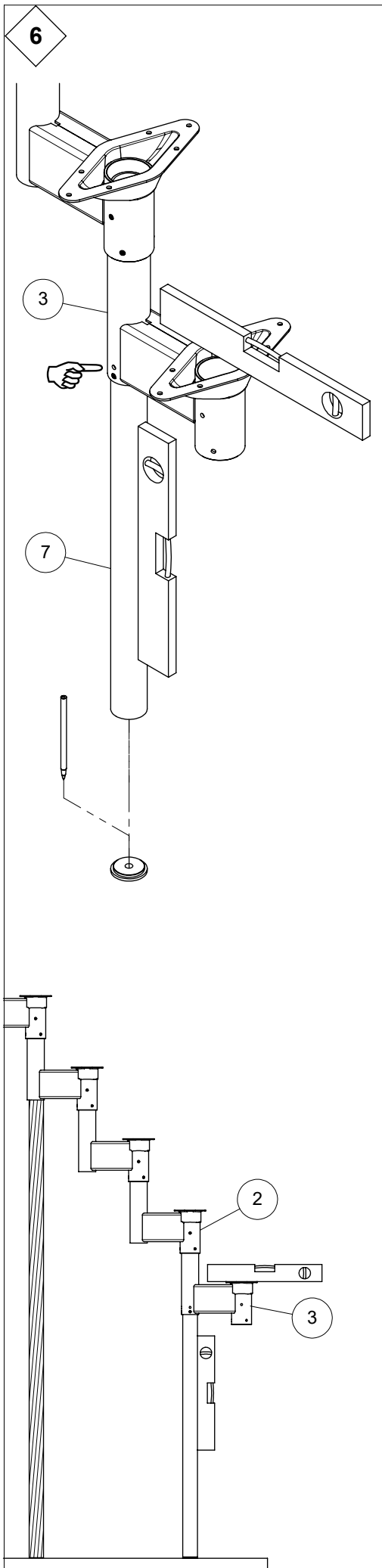
4

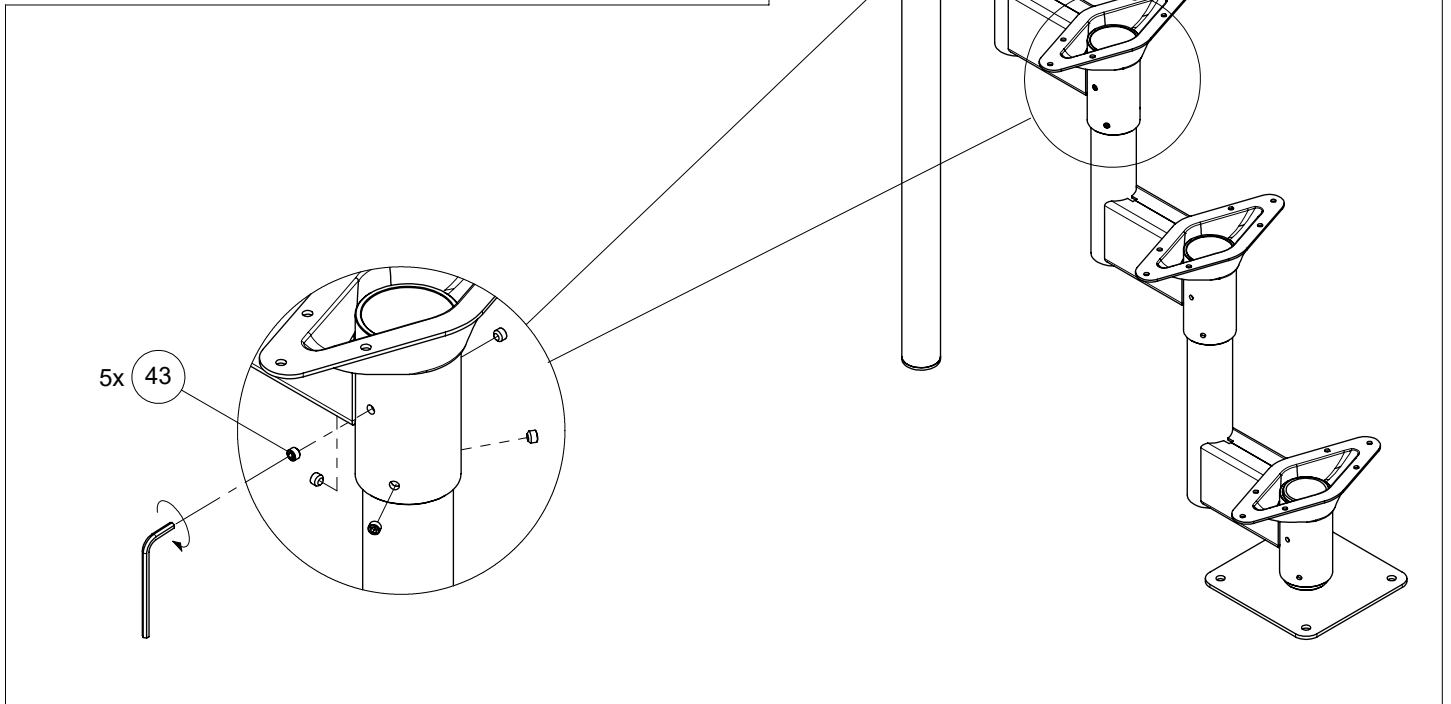
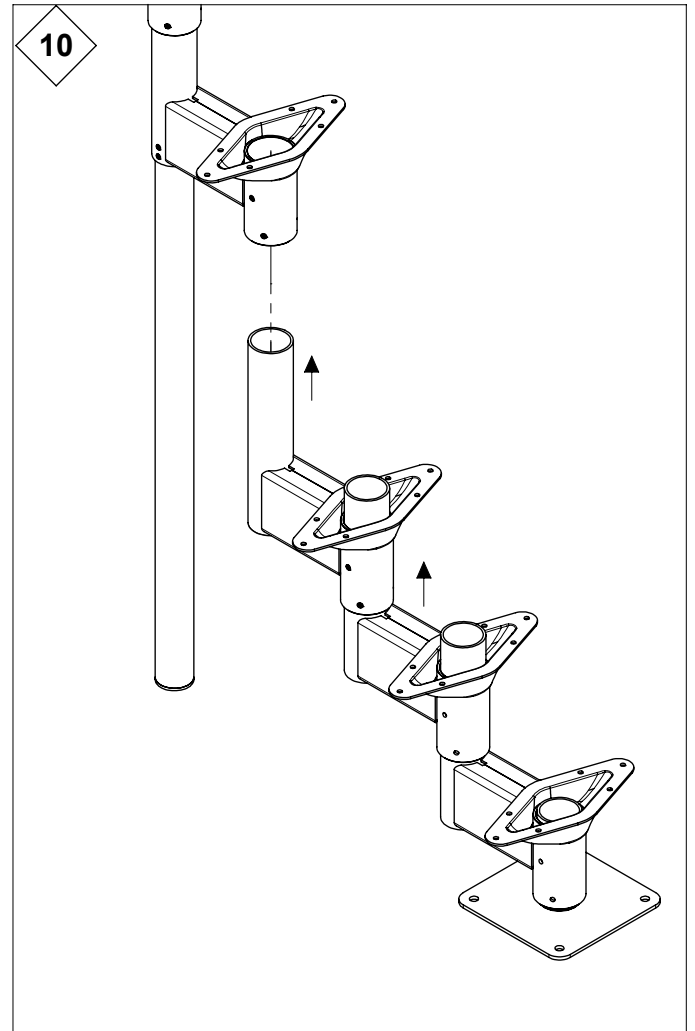
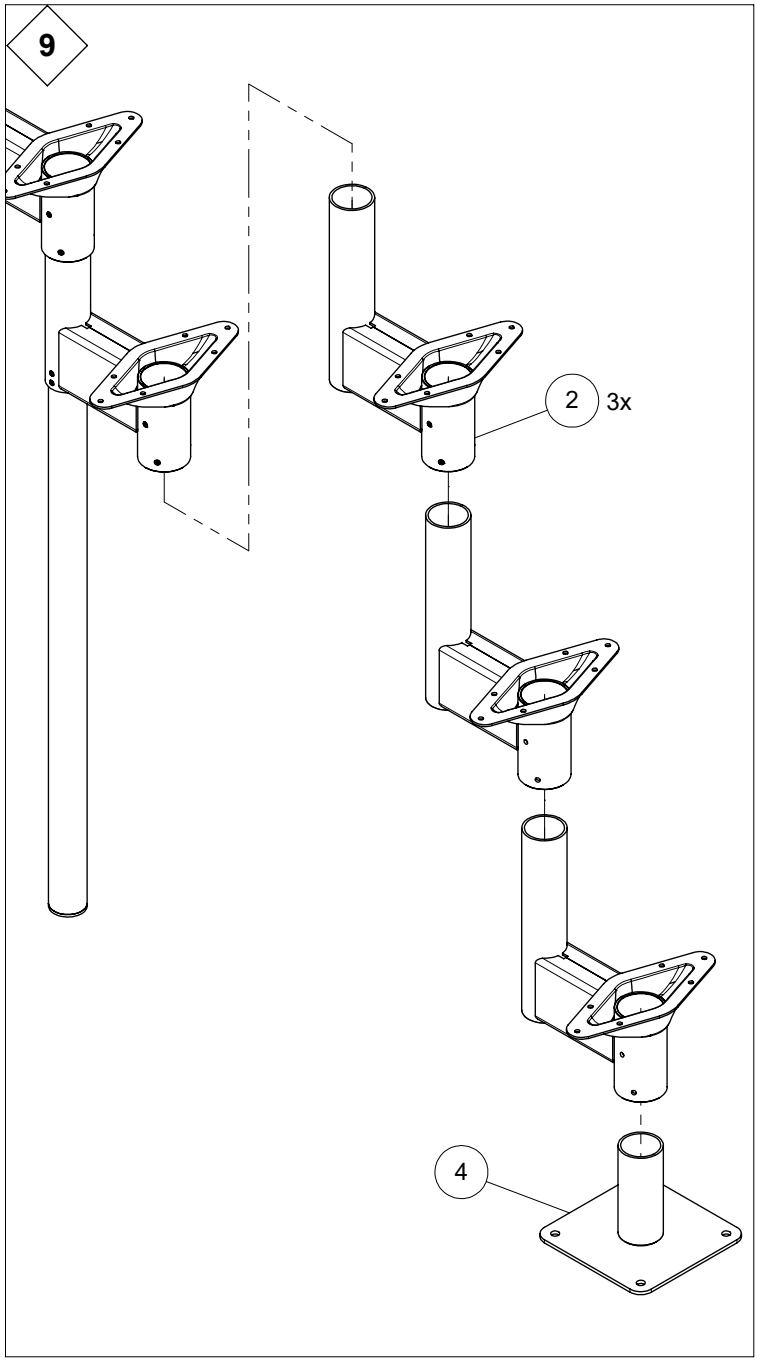


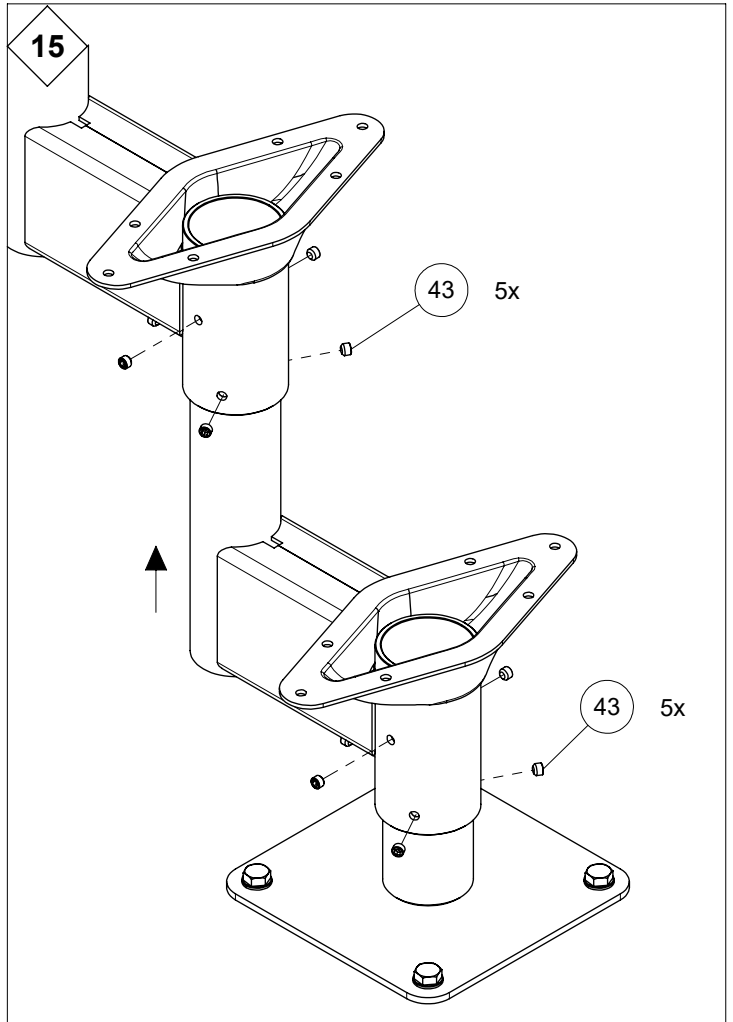
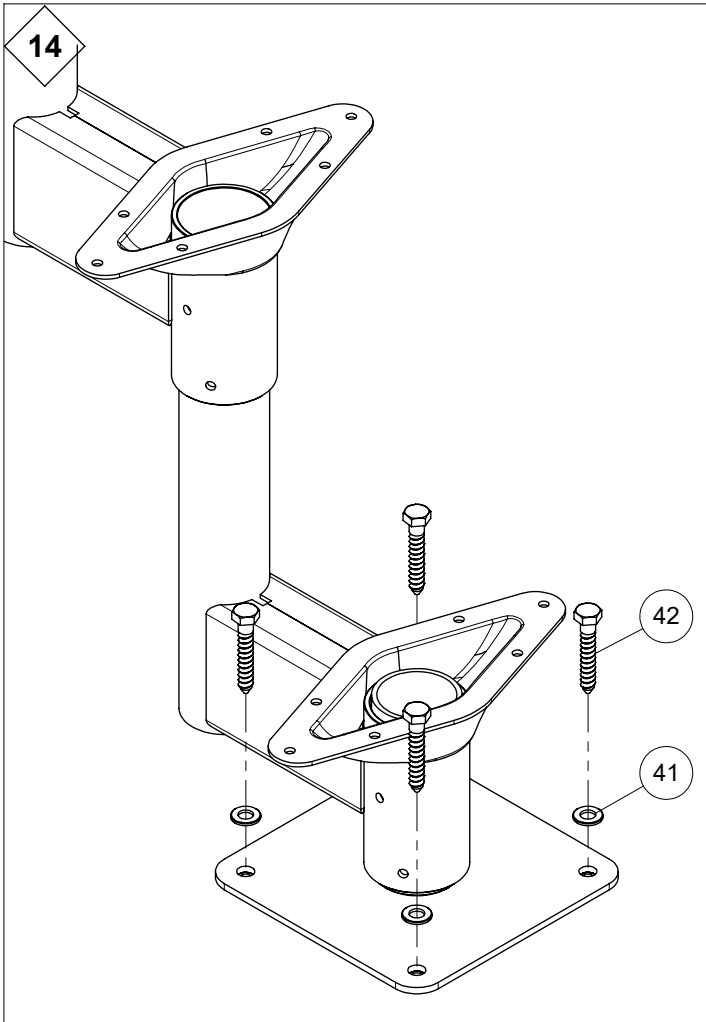
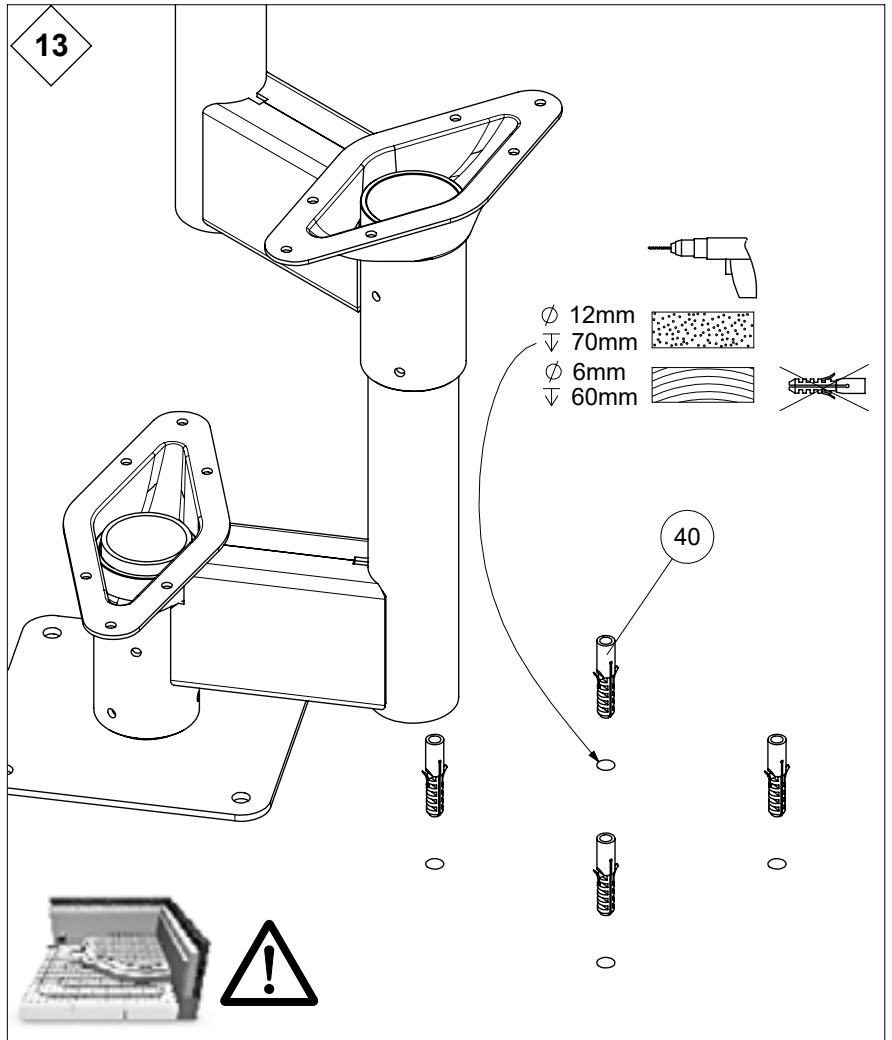
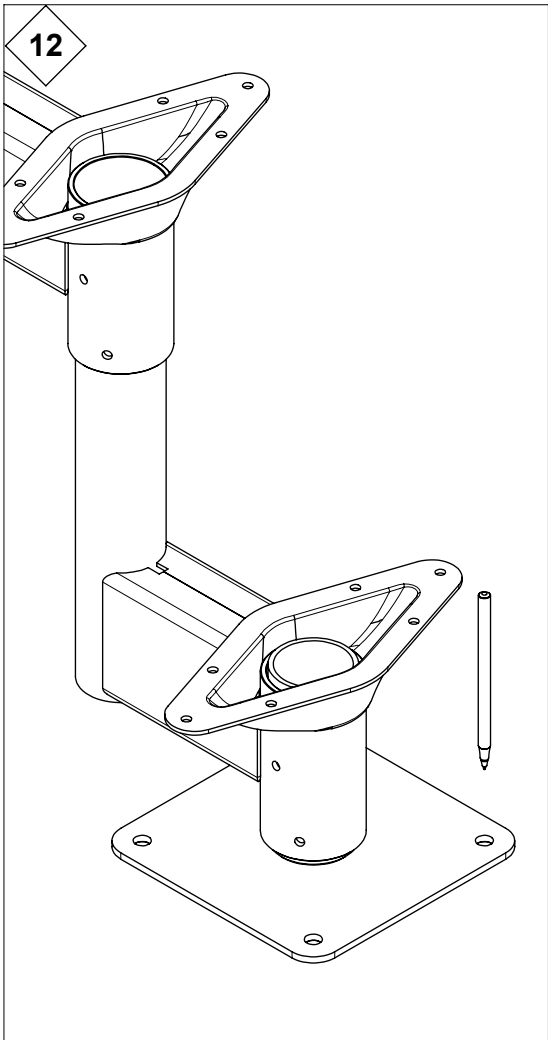
Wooden post
 Holzpfosten
 Houten paal
 Poteau en bois
 Træstolpe

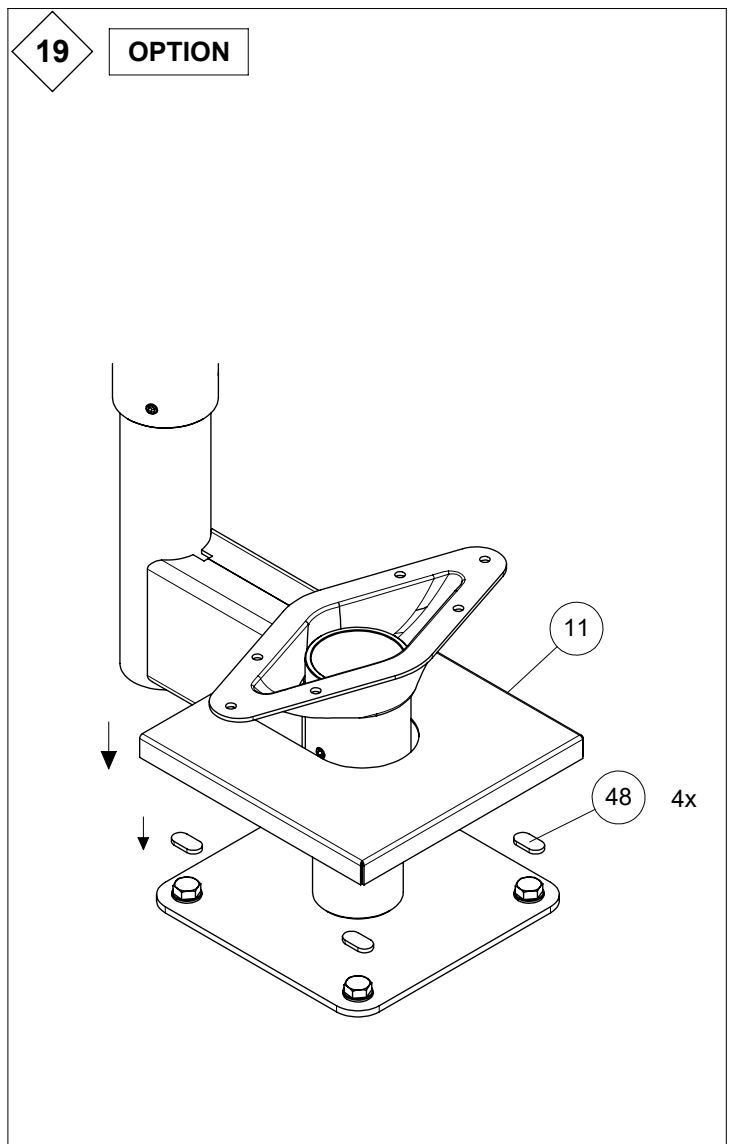
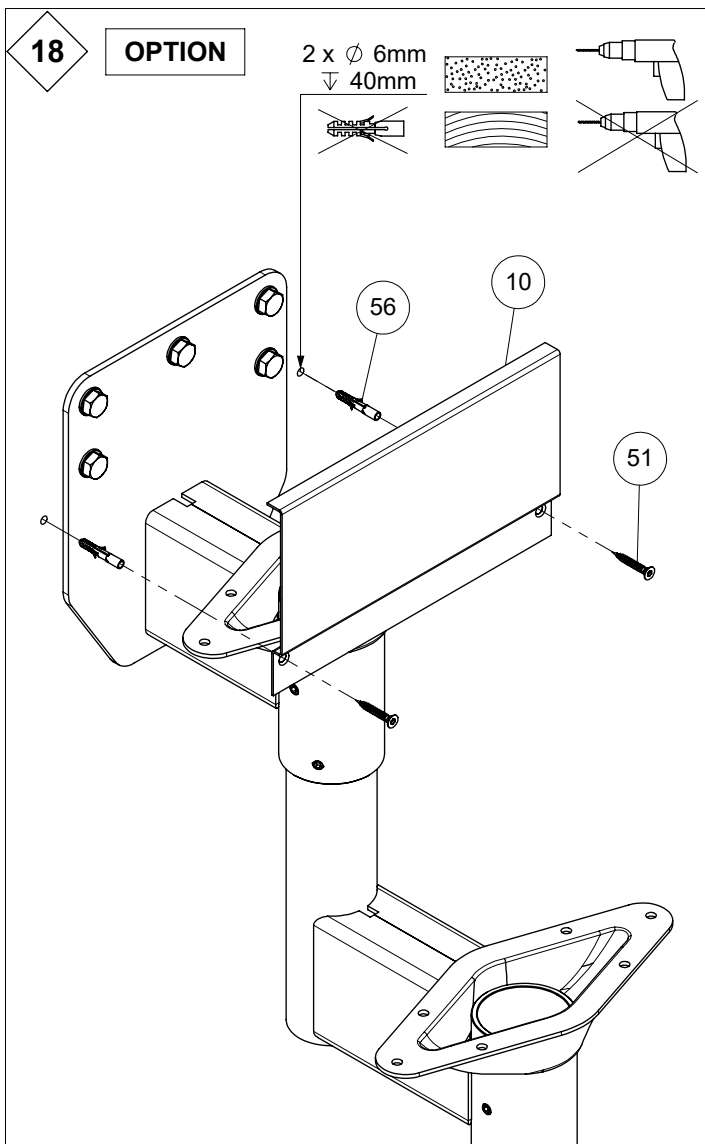
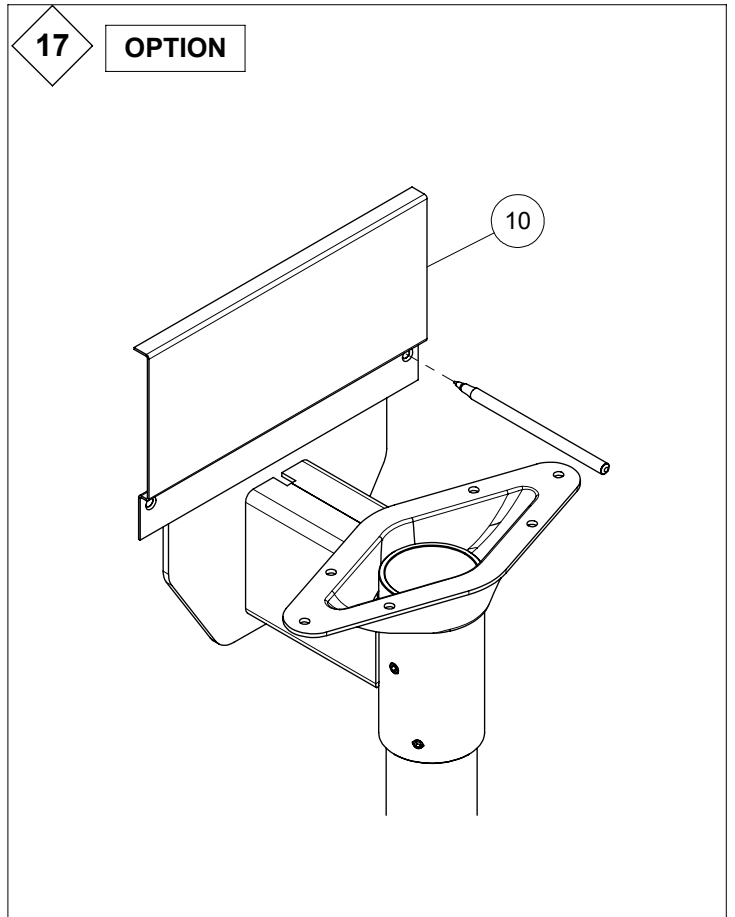
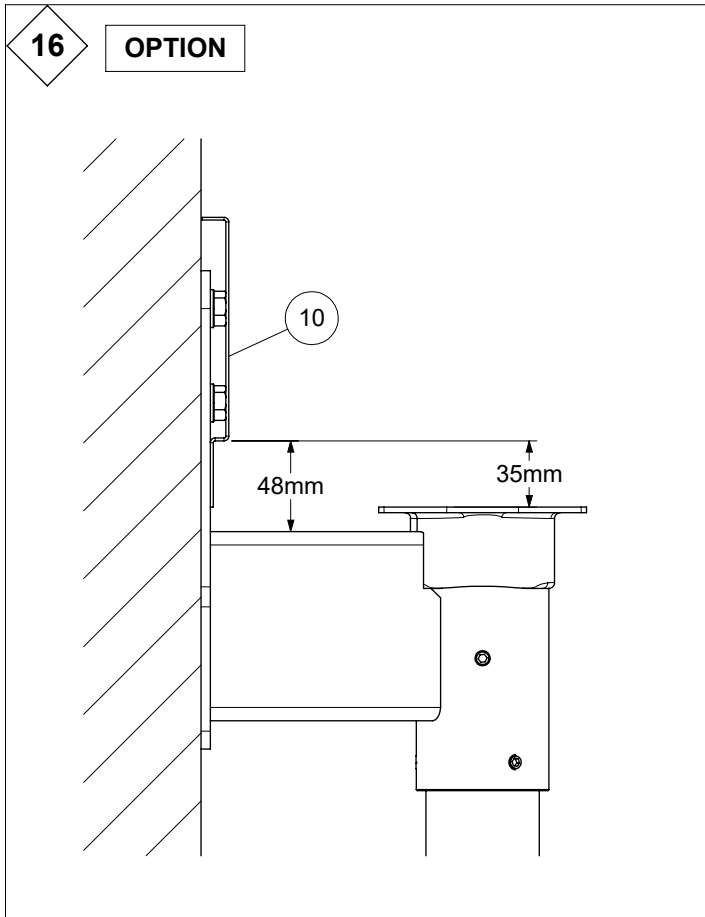
5



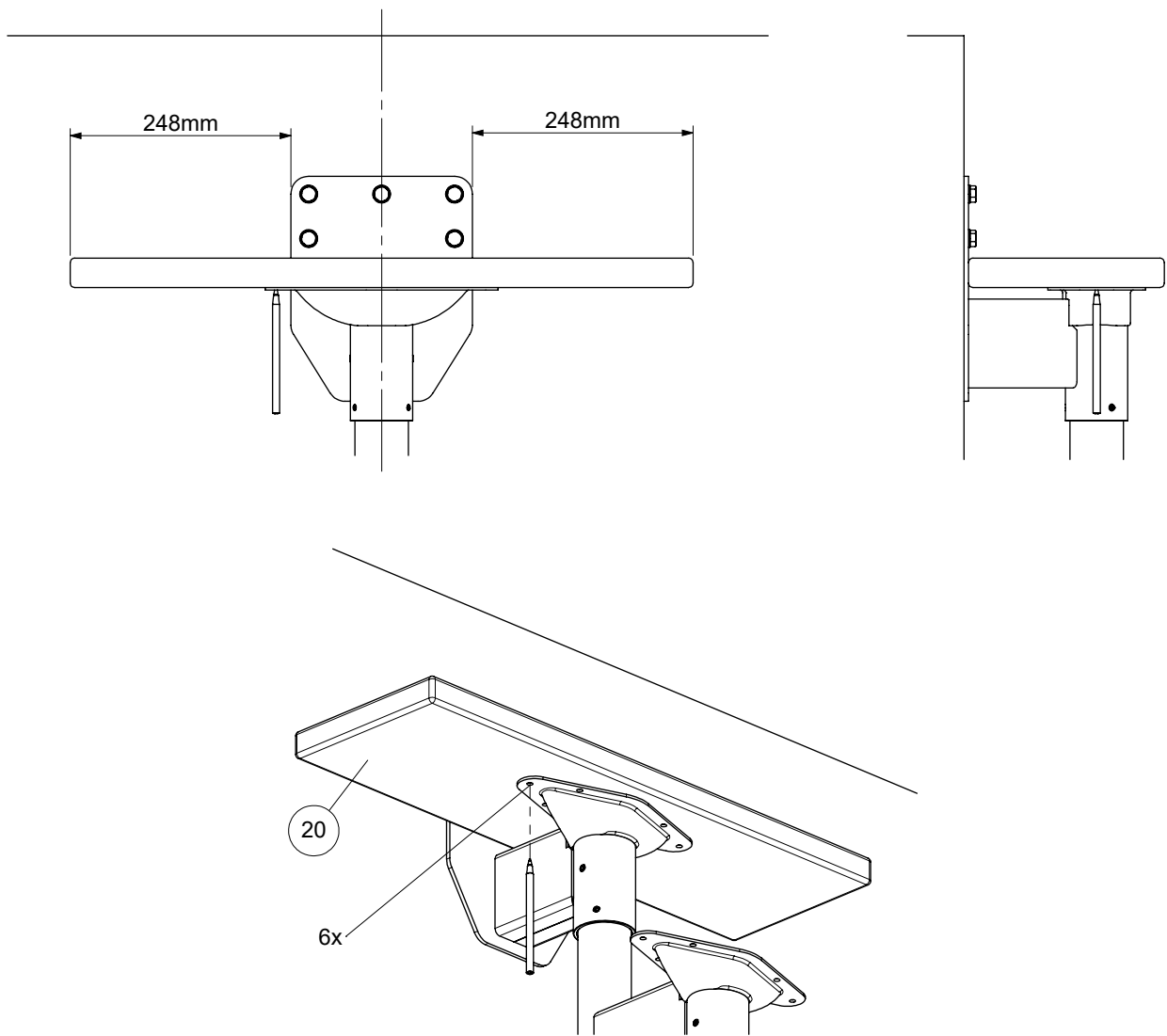




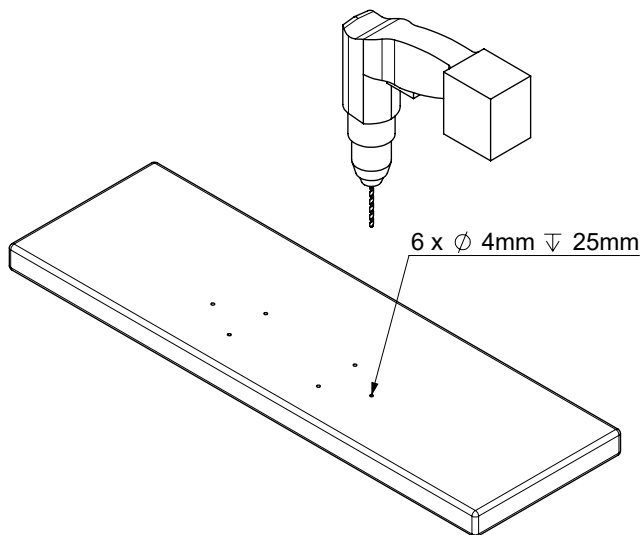




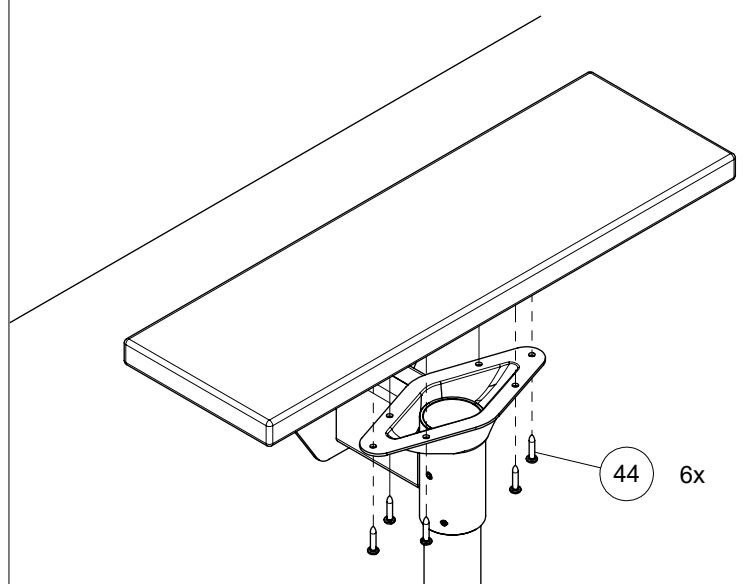
20



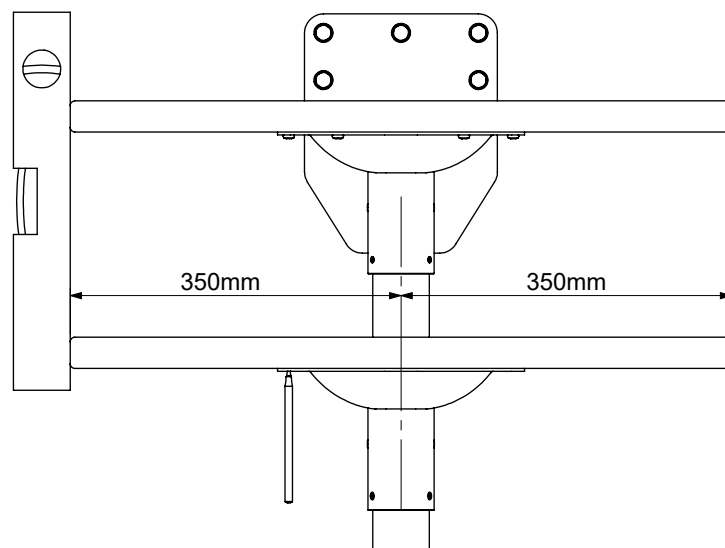
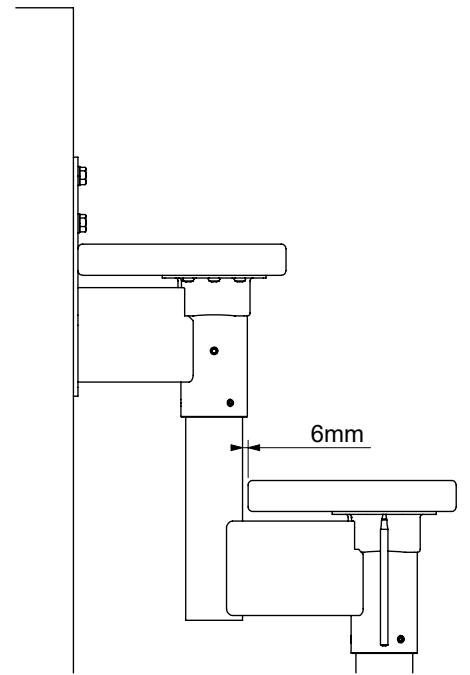
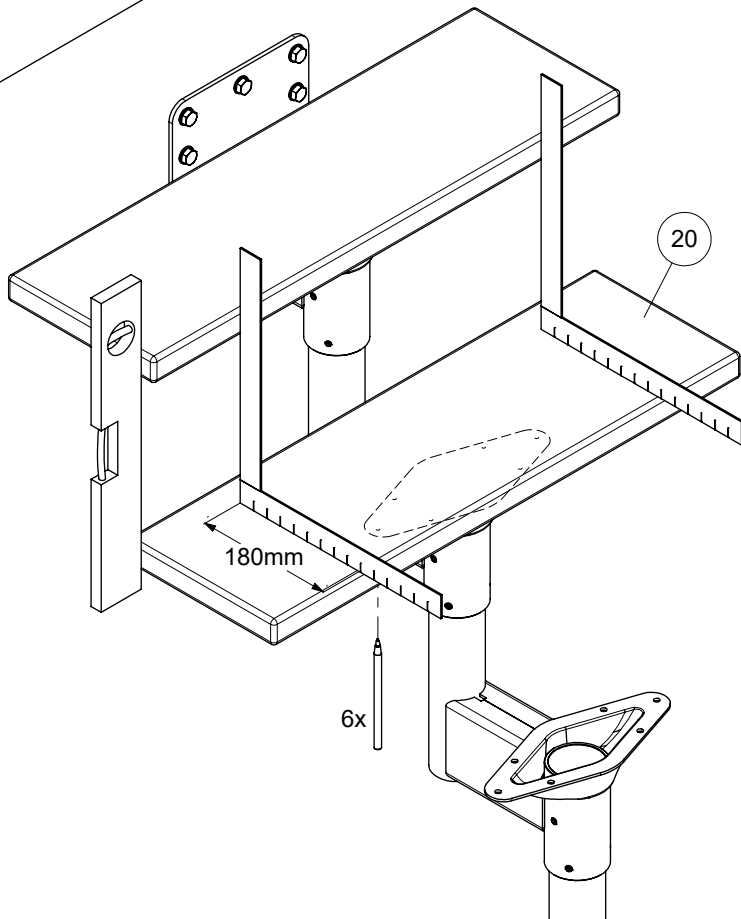
21



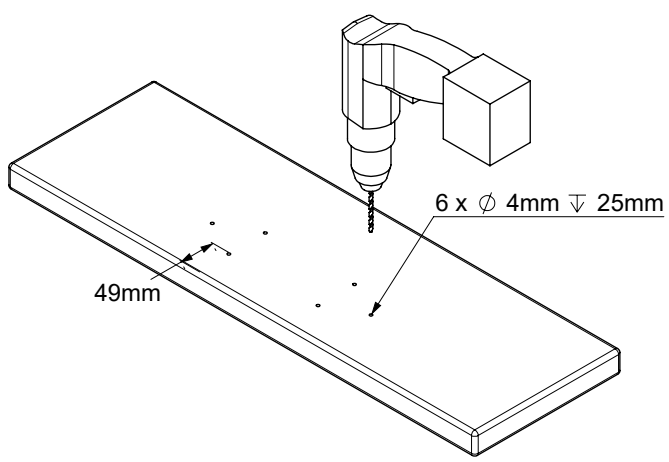
22



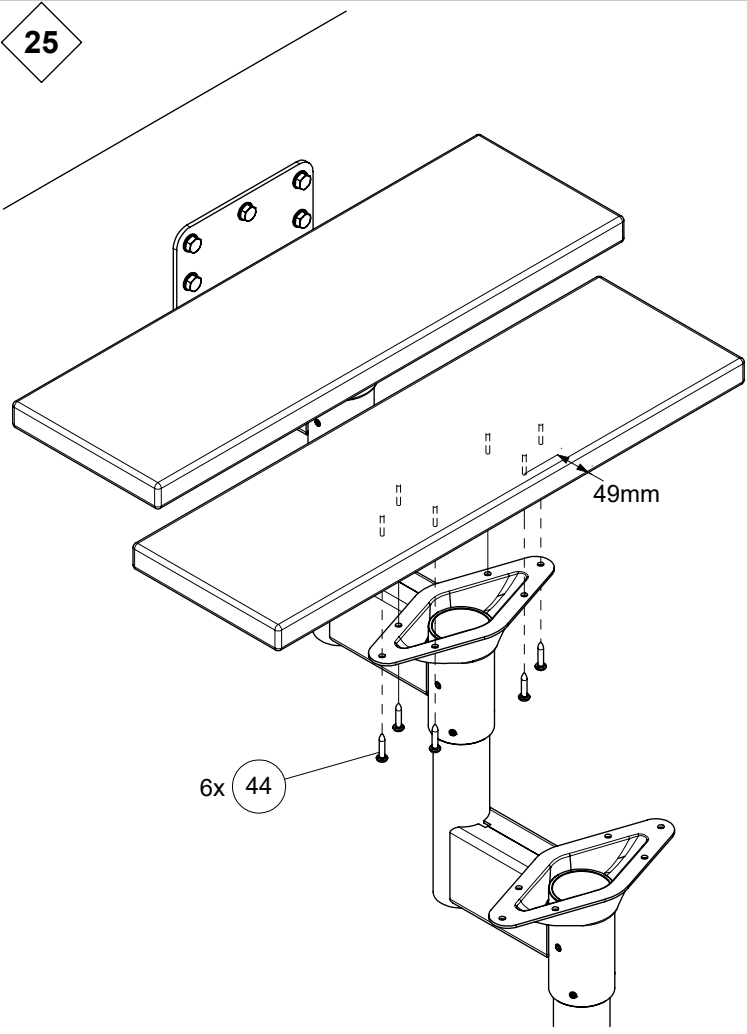
23



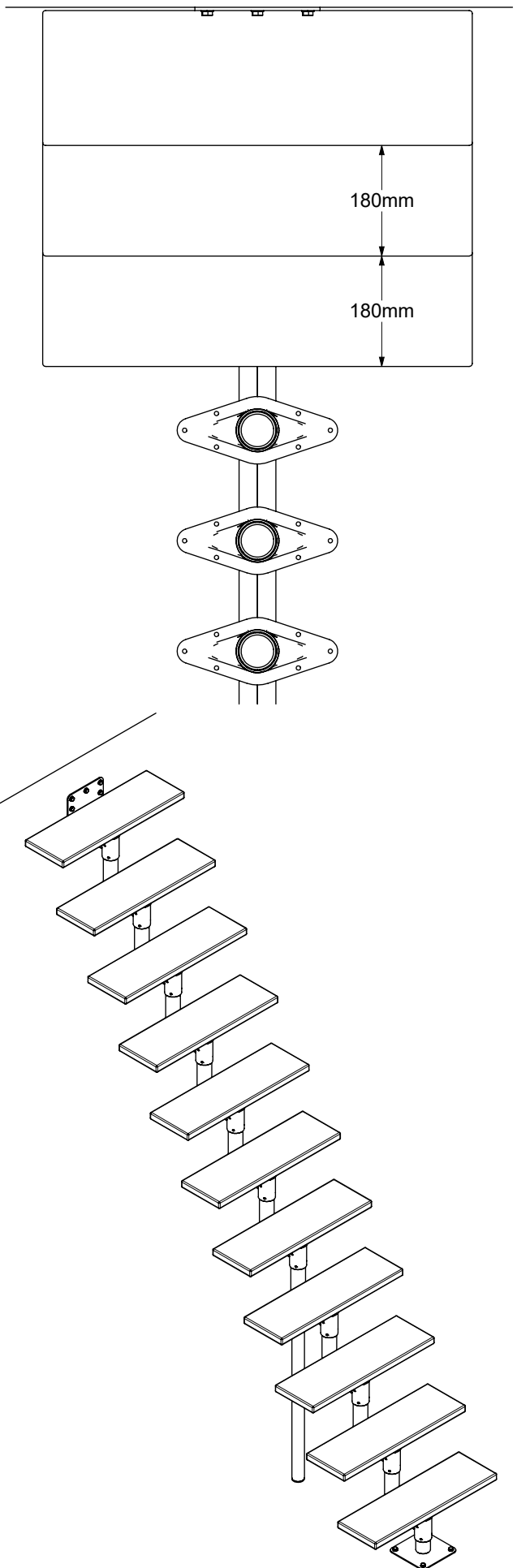
24

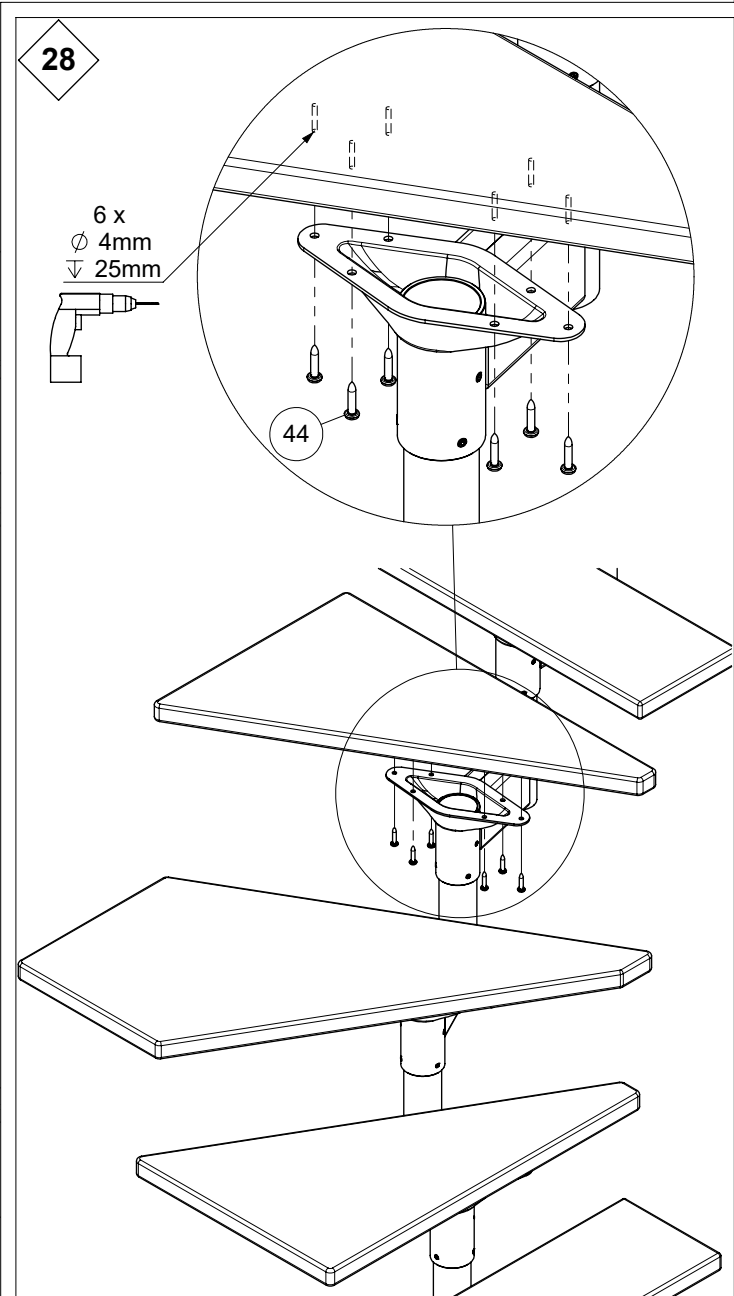
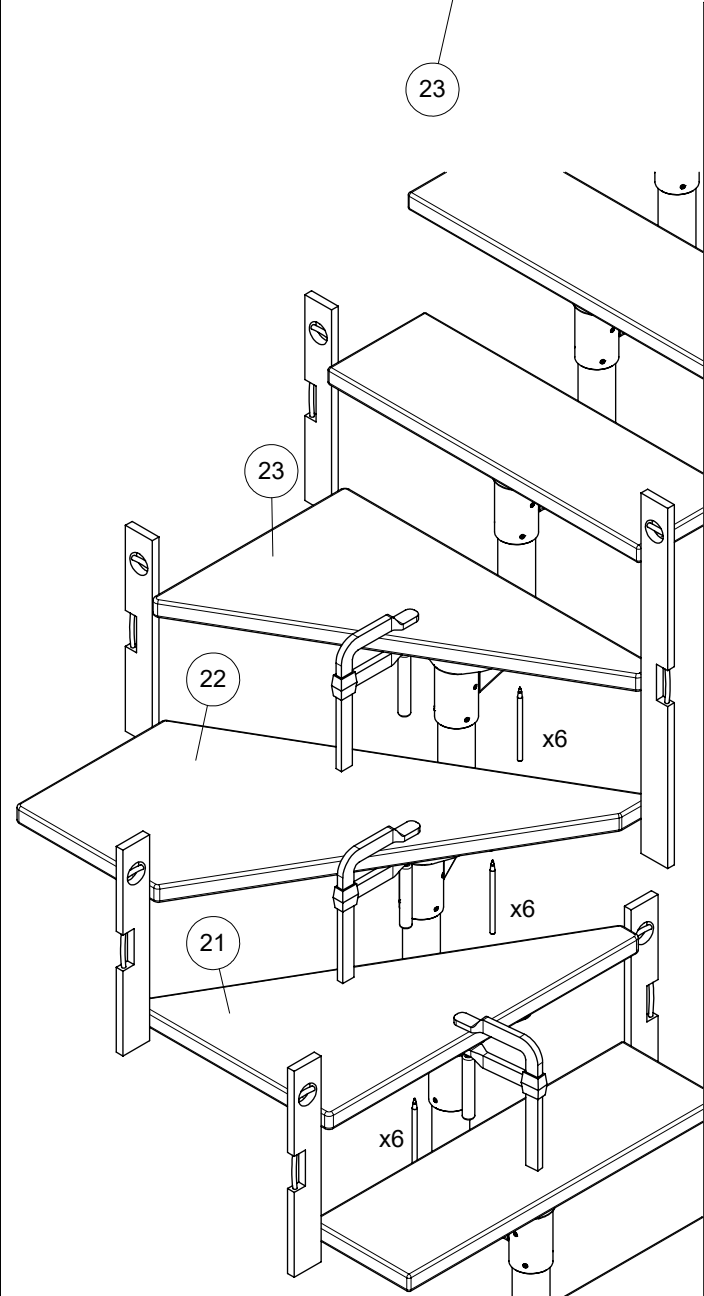
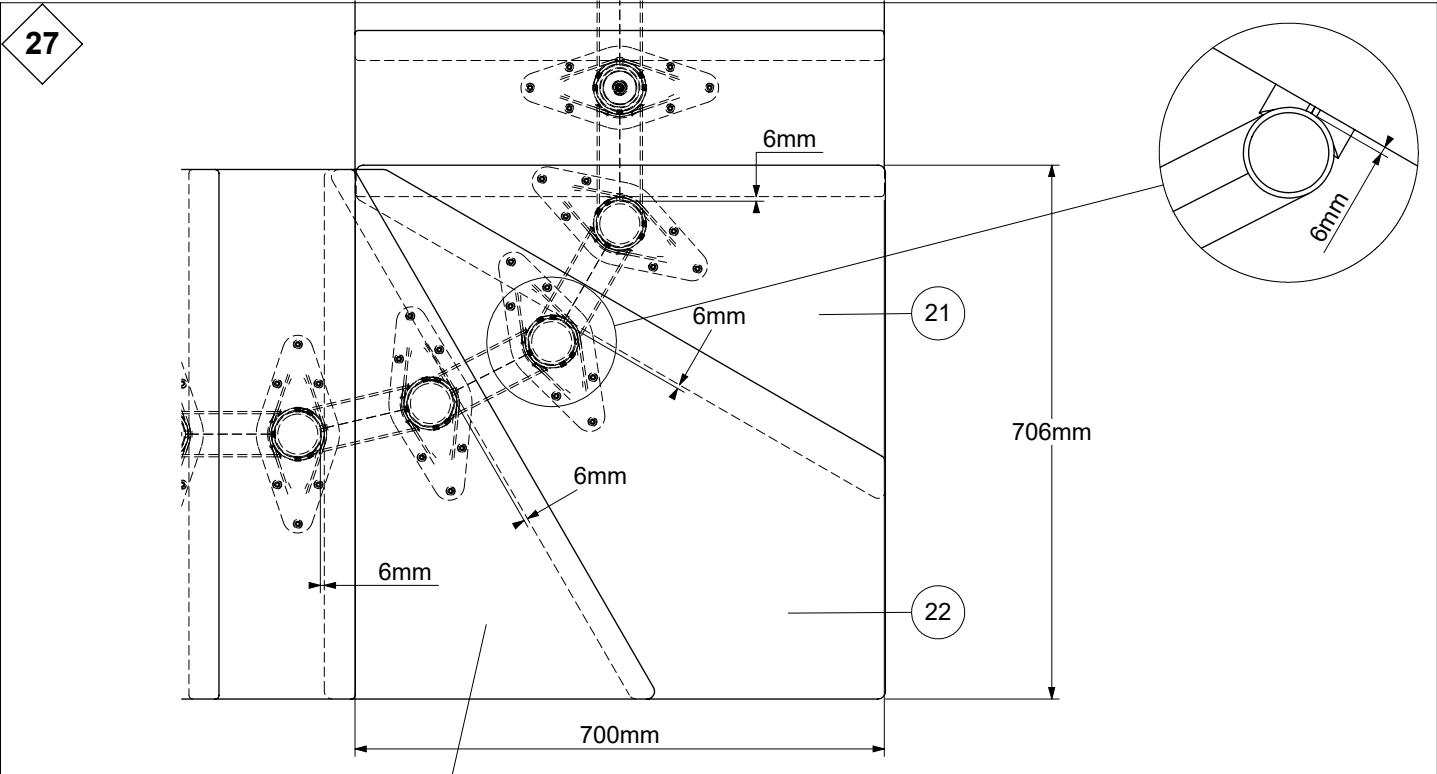


25



26

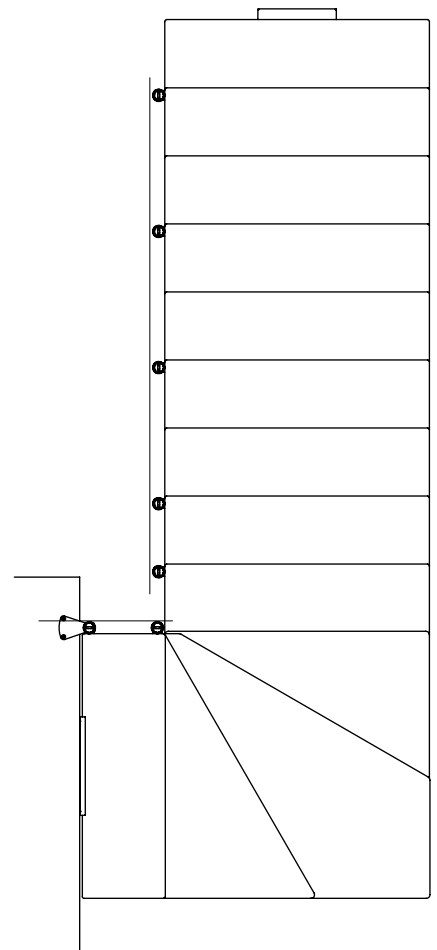
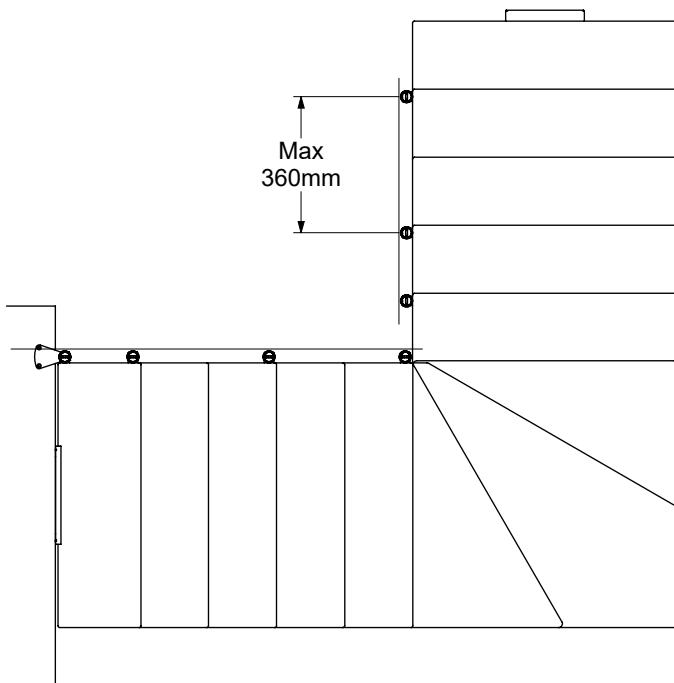
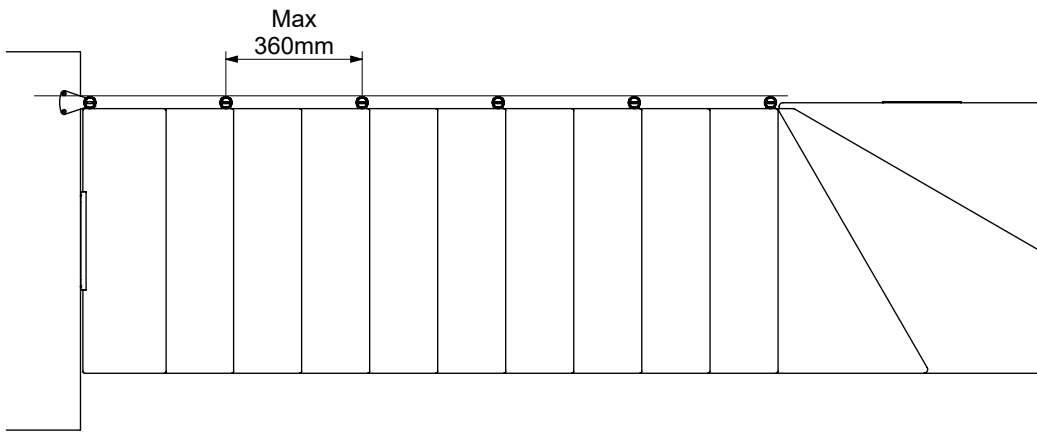
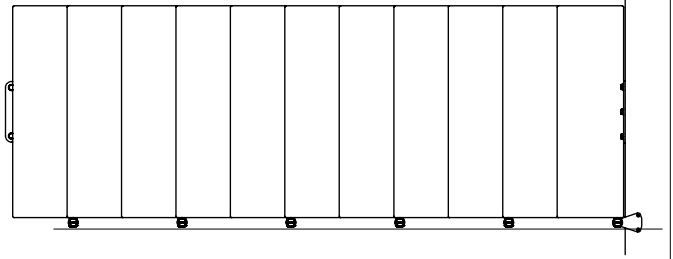
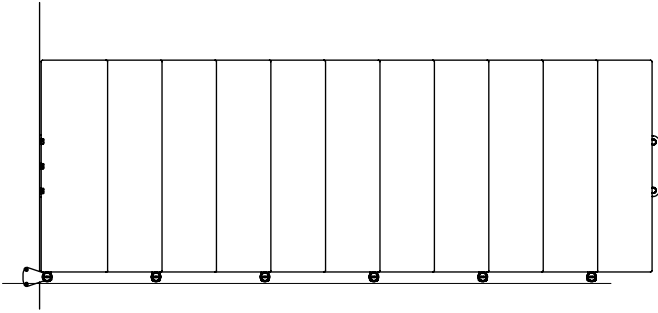


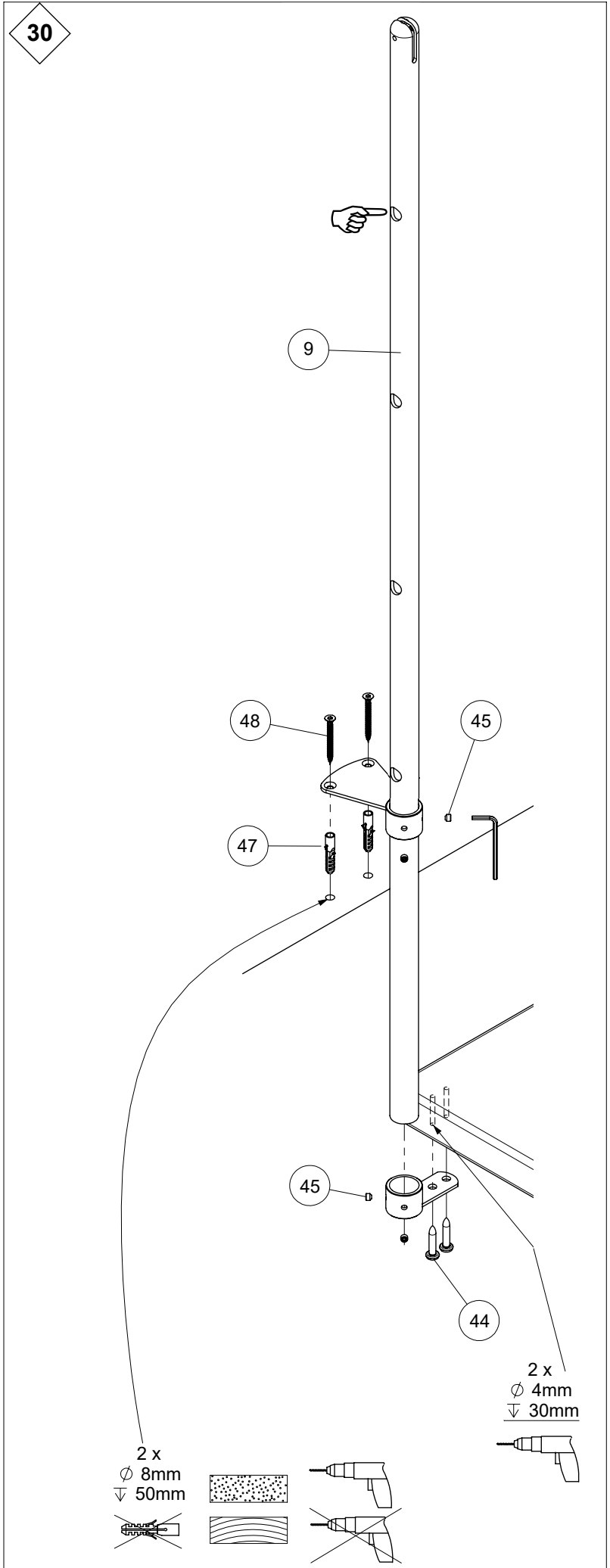
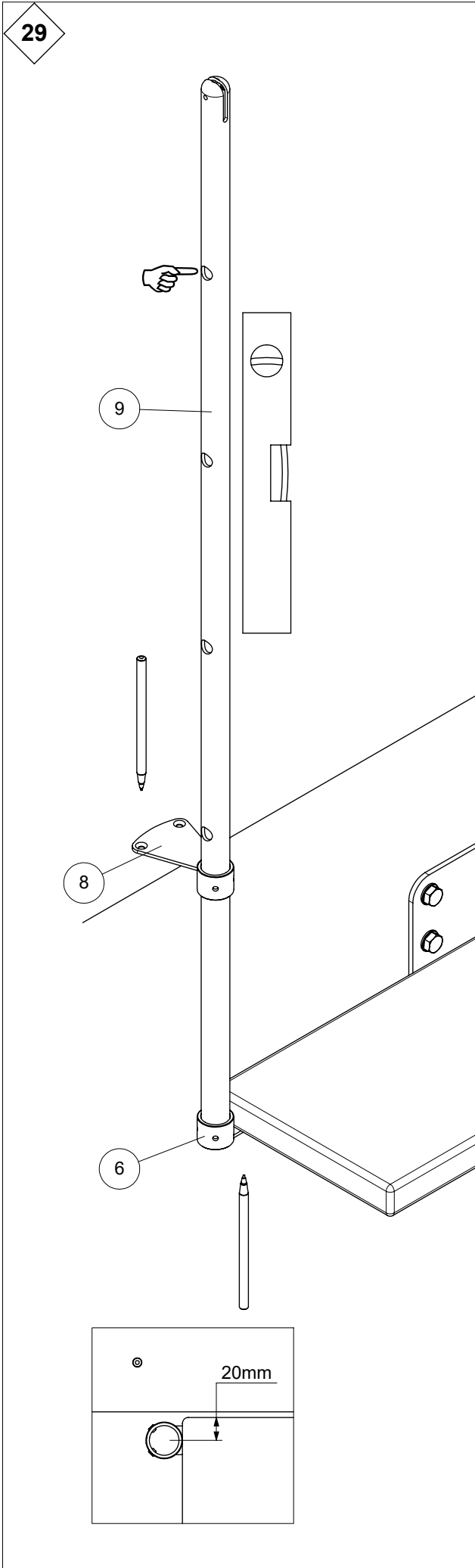


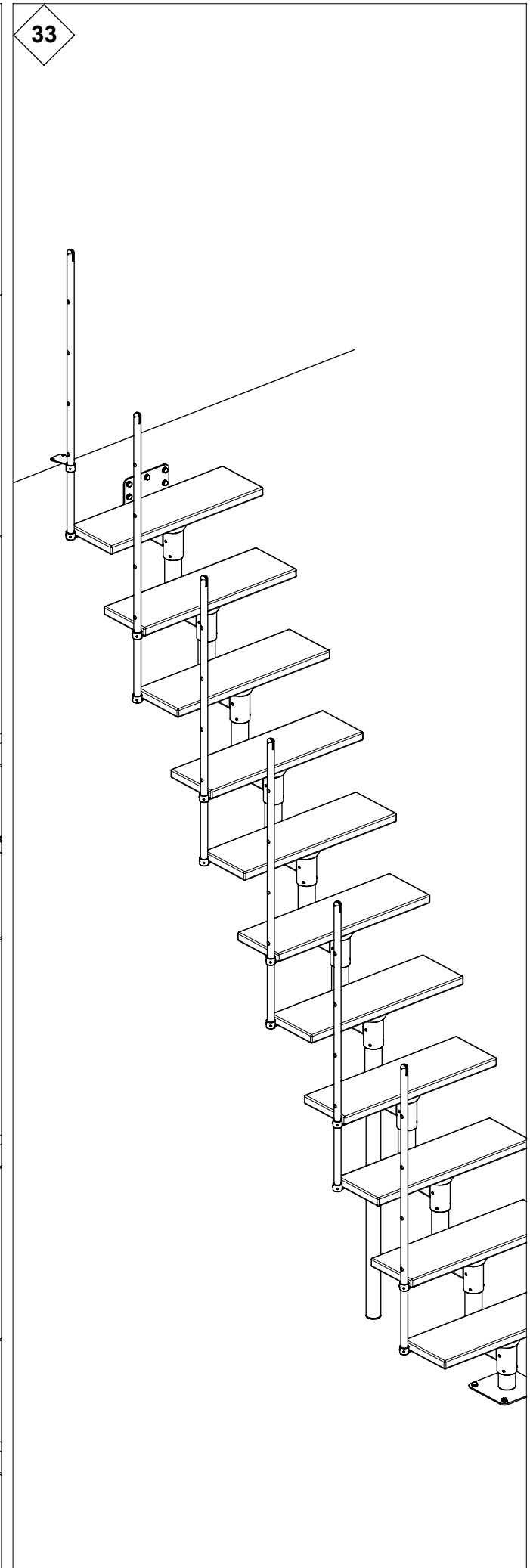
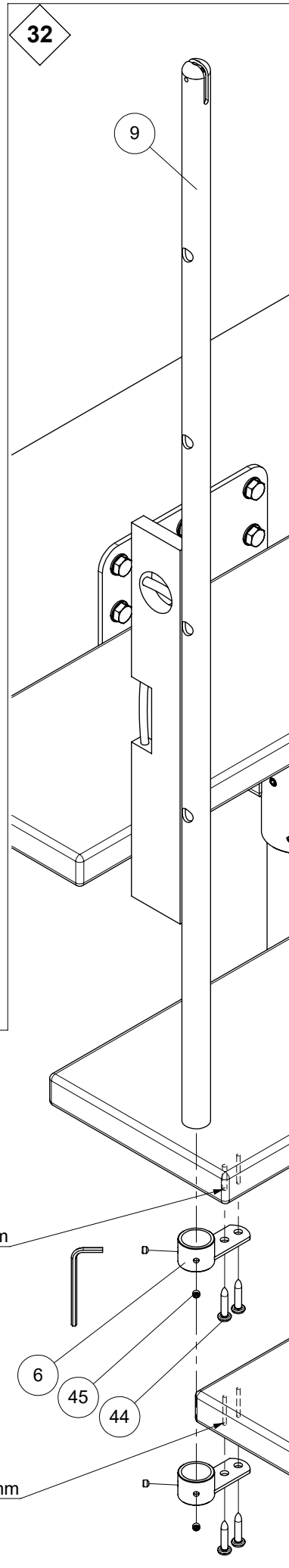
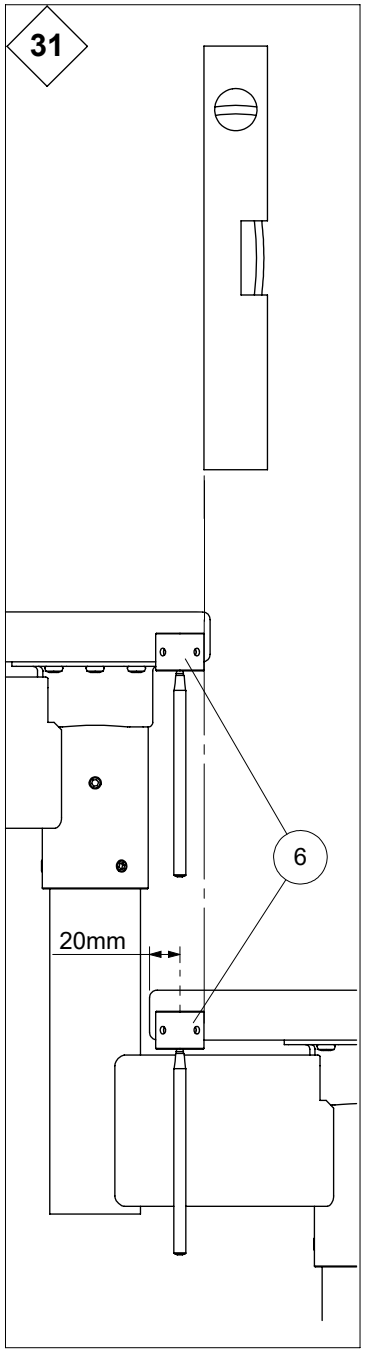


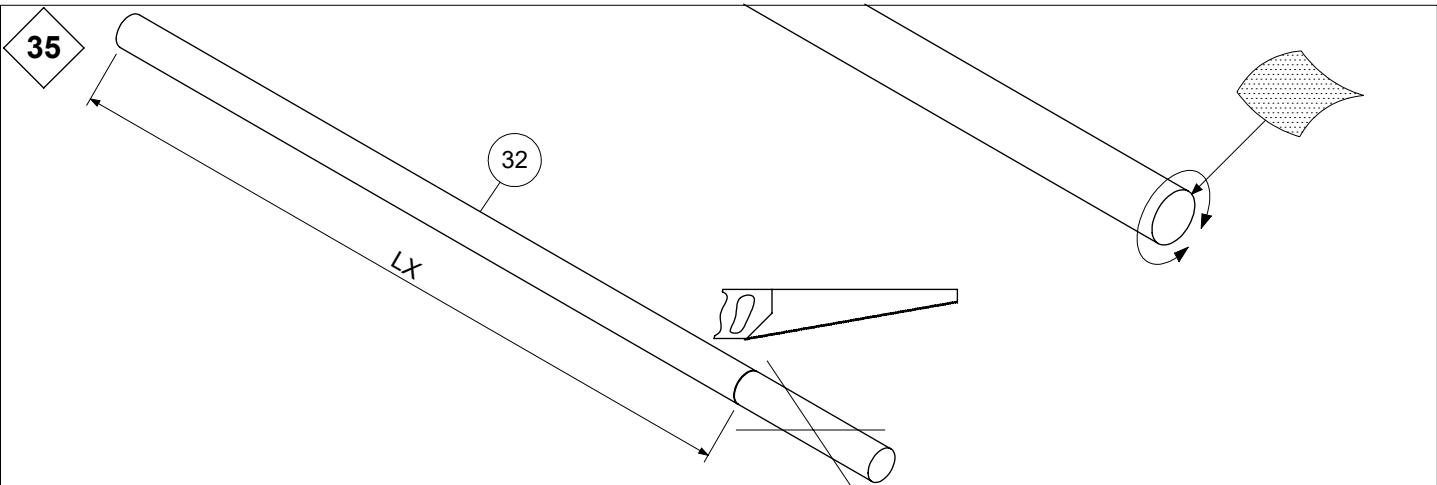
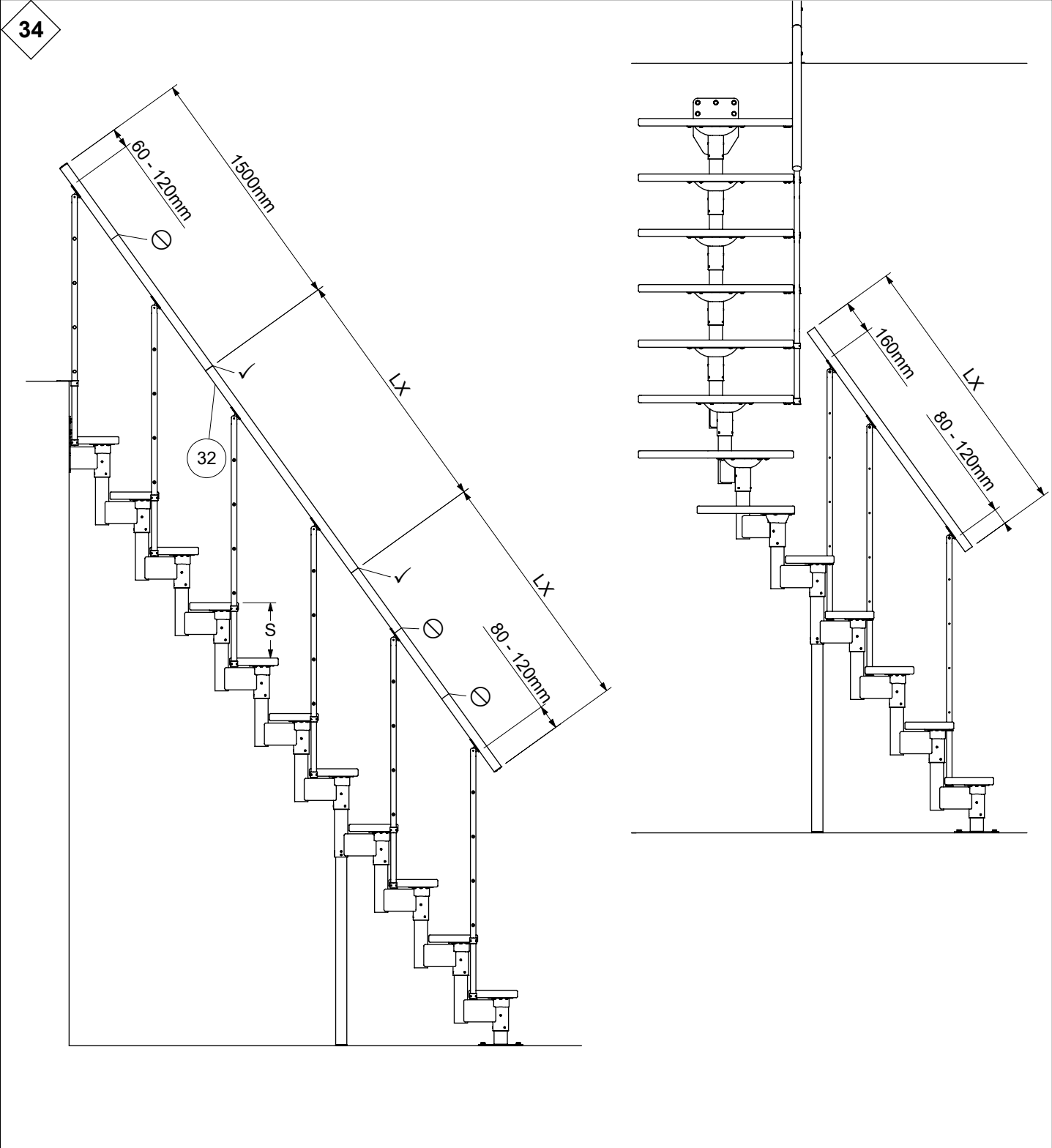
L

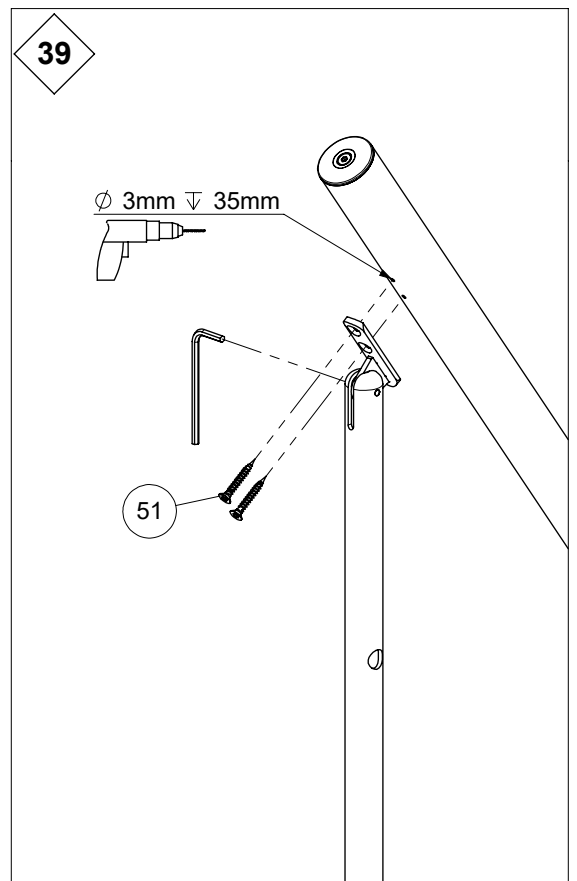
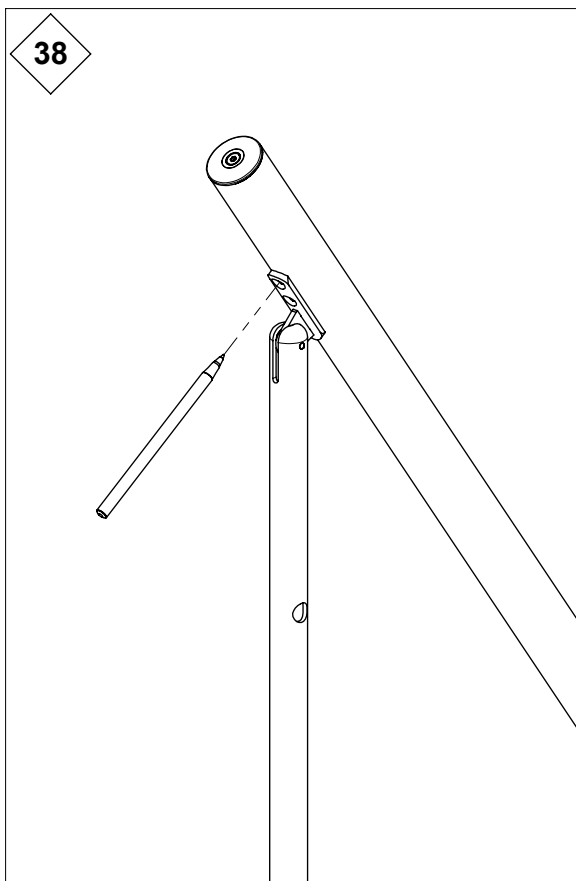
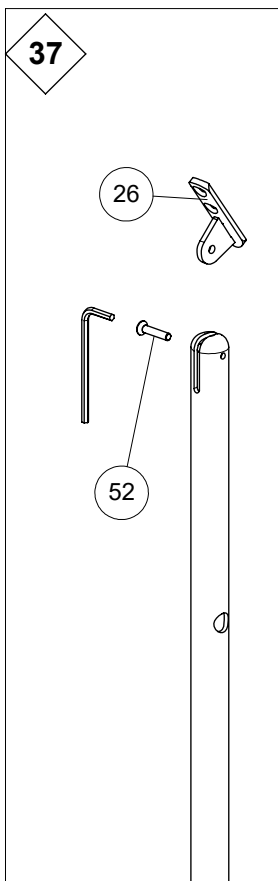
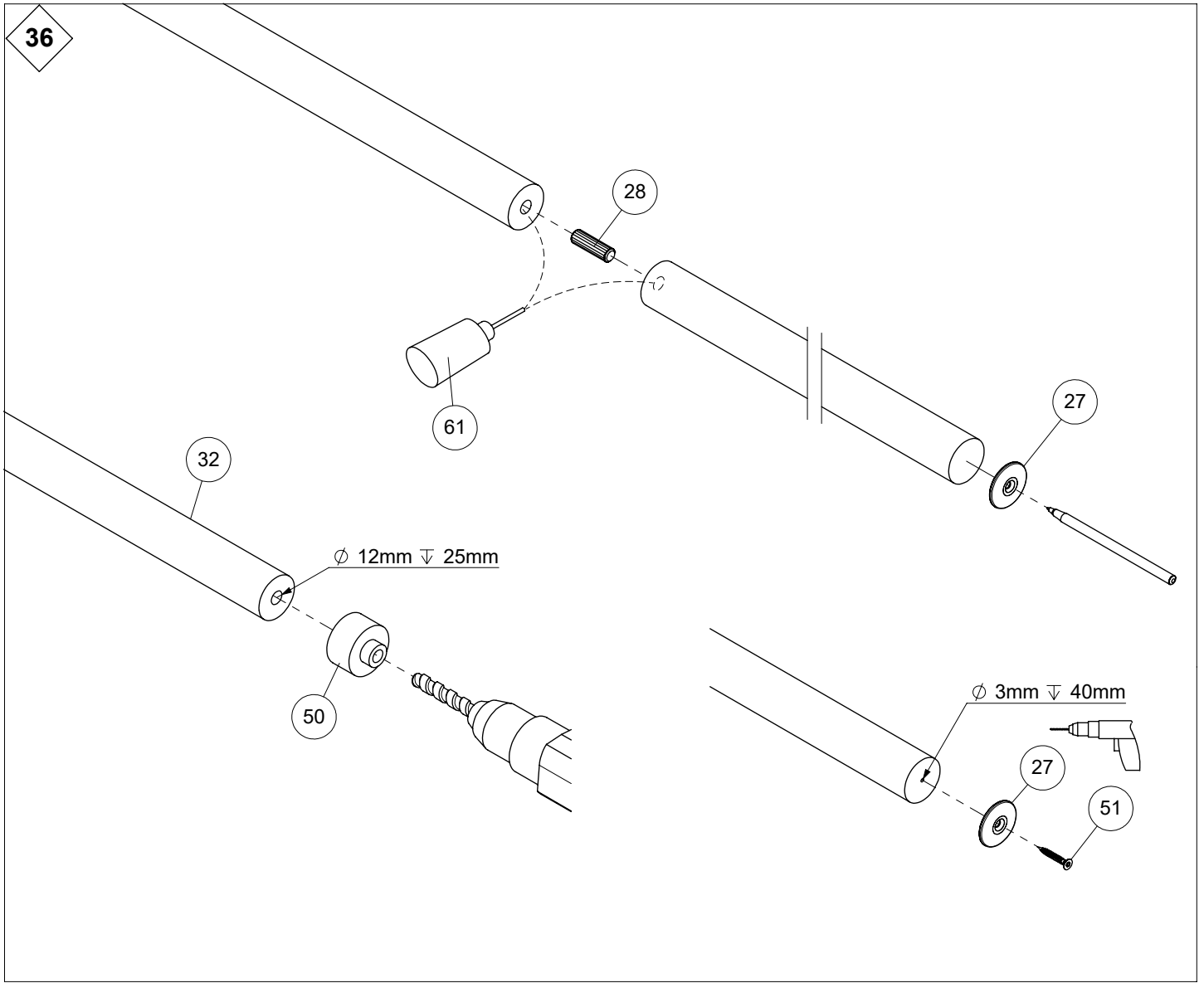
R

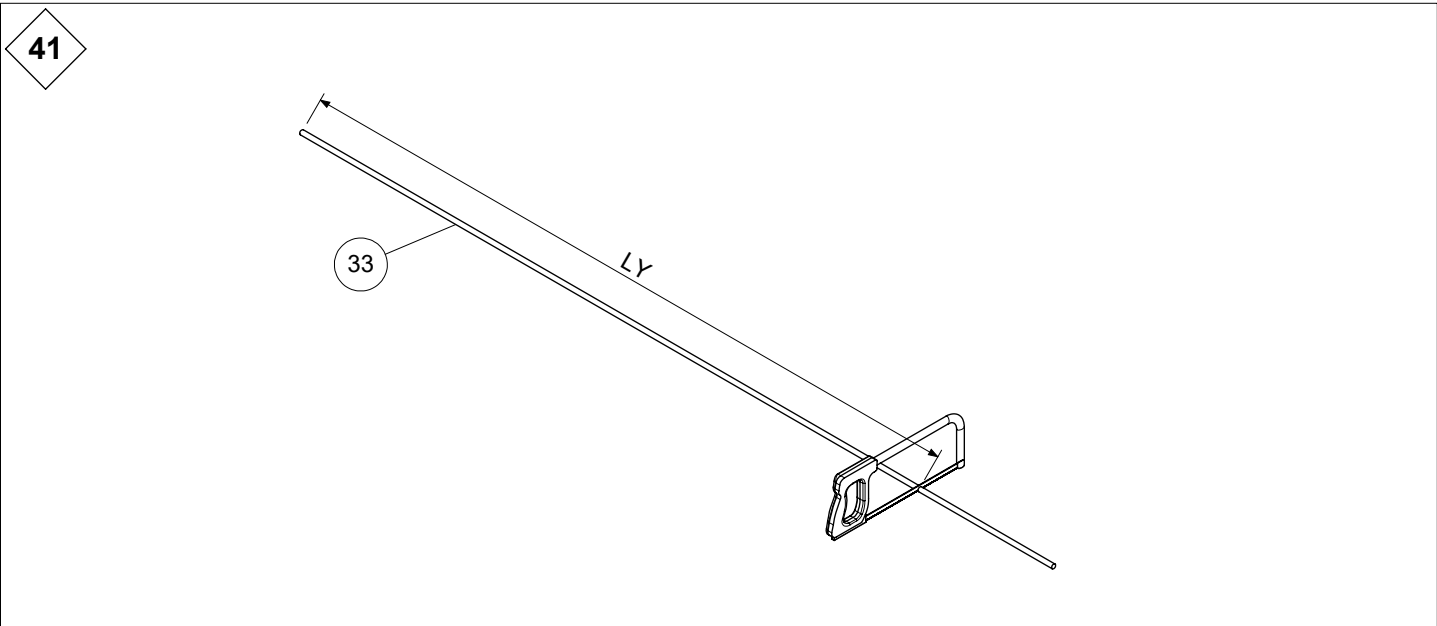
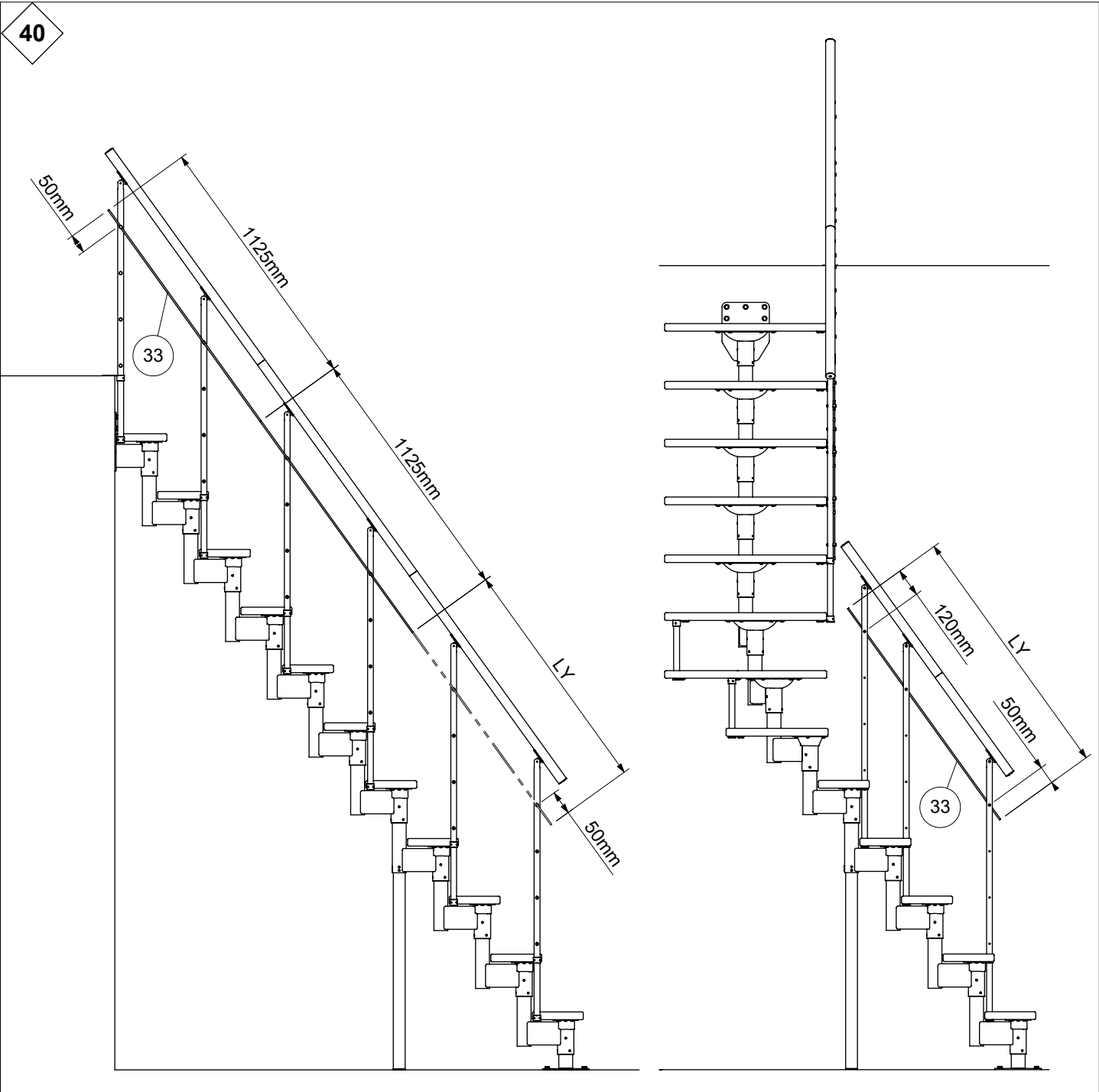


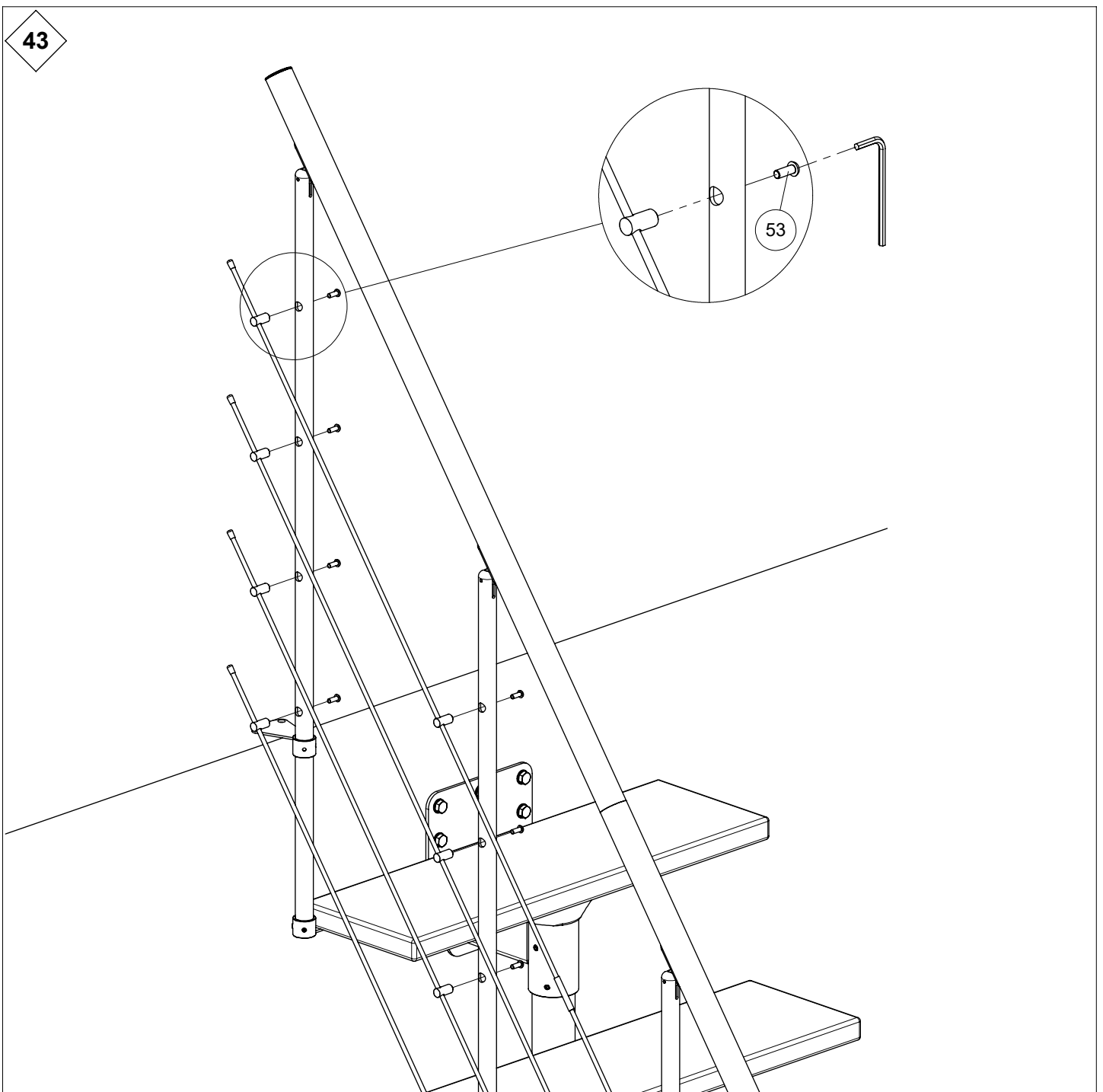
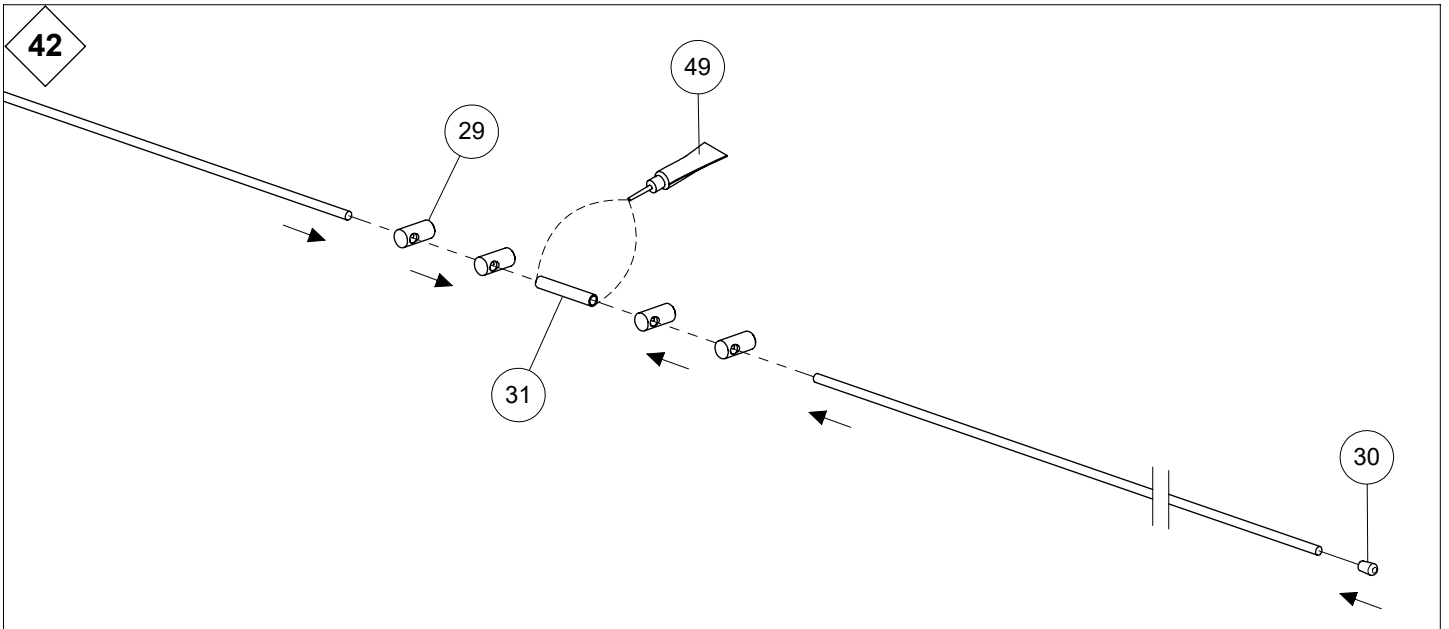




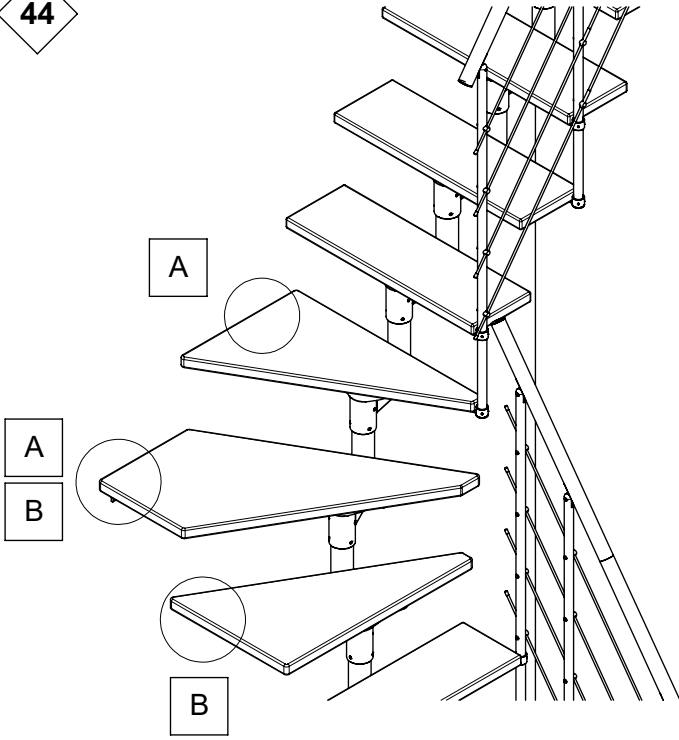








44



2 wall brackets must be mounted on a 1/4 turn staircase.

2 Wandhalterungen müssen auf einer 1/4-gewendelten Treppe montiert werden.

2 muurbeugels moeten gemonteerd worden op een 1/4 draai trap.

2 supports mural doivent être monté sur un escalier 1/4 tournant.

2 vægvinkler er påkrævet i en 1/4-svings-trappe.

